



US00D456854S

(12) **United States Design Patent** (10) **Patent No.:** **US D456,854 S**
Ashida (45) **Date of Patent:** **** May 7, 2002**

(54) **OPERATING PORTION OF CONTROLLER FOR ELECTRONIC GAME MACHINE**

(75) Inventor: **Kenichiro Ashida, Kyoto (JP)**

(73) Assignee: **Nintendo Co., Ltd. (JP)**

(**) Term: **14 Years**

(21) Appl. No.: **29/136,506**

(22) Filed: **Feb. 2, 2001**

(30) **Foreign Application Priority Data**

Aug. 7, 2000	(JP)	2000-021771
Aug. 7, 2000	(JP)	2000-021776
Aug. 7, 2000	(JP)	2000-021777
Aug. 7, 2000	(JP)	2000-021778
Aug. 7, 2000	(JP)	2000-021779
Aug. 7, 2000	(JP)	2000-021780
Aug. 7, 2000	(JP)	2000-021781
Aug. 7, 2000	(JP)	2000-021782
Aug. 7, 2000	(JP)	2000-021783
Aug. 7, 2000	(JP)	2000-021784
Aug. 7, 2000	(JP)	2000-021785
Aug. 7, 2000	(JP)	2000-021786
Aug. 7, 2000	(JP)	2000-021787

(51) **LOC (7) Cl.** **21-01**

(52) **U.S. Cl.** **D21/333; D14/401; D14/432**

(58) **Field of Search** **D14/400, 401, D14/412-416, 432; D21/333, 424; 273/148 B; 463/1, 29-35, 36, 38, 46, 47; 345/156, 158, 161, 184**

(56) **References Cited**

U.S. PATENT DOCUMENTS

D375,326	S	11/1996	Yokoi et al.	
D397,162	S	8/1998	Yokoi et al.	
D416,588	S	* 11/1999	Goto D14/401
D417,664	S	* 12/1999	Goto D14/401
D424,047	S	* 5/2000	Chan D14/401
6,171,191	B1	* 1/2001	Ogata et al. 273/148 B
6,231,444	B1	* 5/2001	Goto et al. 273/148 B

* cited by examiner

Primary Examiner—Prabhakar Deshmukh

(74) *Attorney, Agent, or Firm*—Nixon & Vanderhye P.C.

(57) **CLAIM**

The ornamental design for an operating portion of controller for electronic game machine, as shown and described.

DESCRIPTION

FIG. 1 is a front elevational view of an operating portion of controller for electronic game machine showing my new design, a dotted line showing an external form of an operating portion of controller;

FIG. 2 is a rear elevational view thereof;

FIG. 3 is a top plan view thereof;

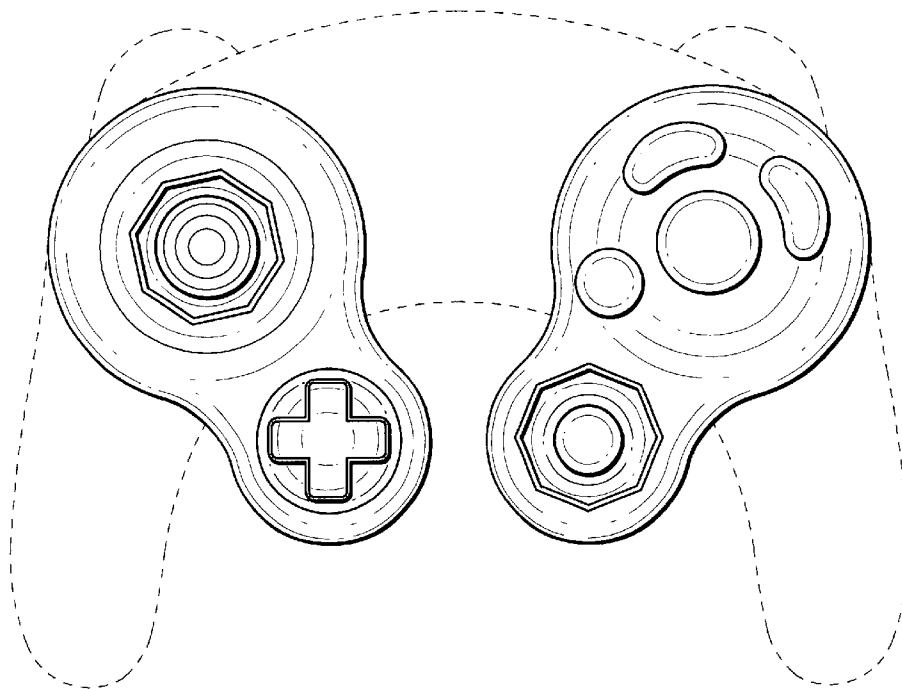
FIG. 4 is a bottom plan view thereof;

FIG. 5 is a left side view thereof; and,

FIG. 6 is a right side view thereof.

The broken lines are for illustrative purpose only and forms no part of the claimed design.

1 Claim, 3 Drawing Sheets



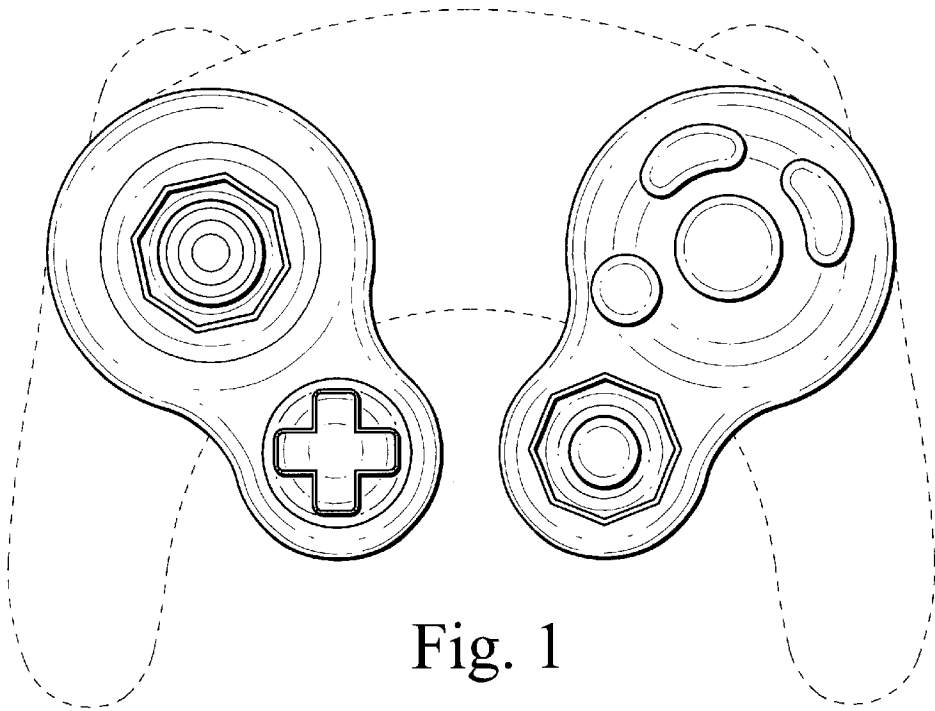


Fig. 1

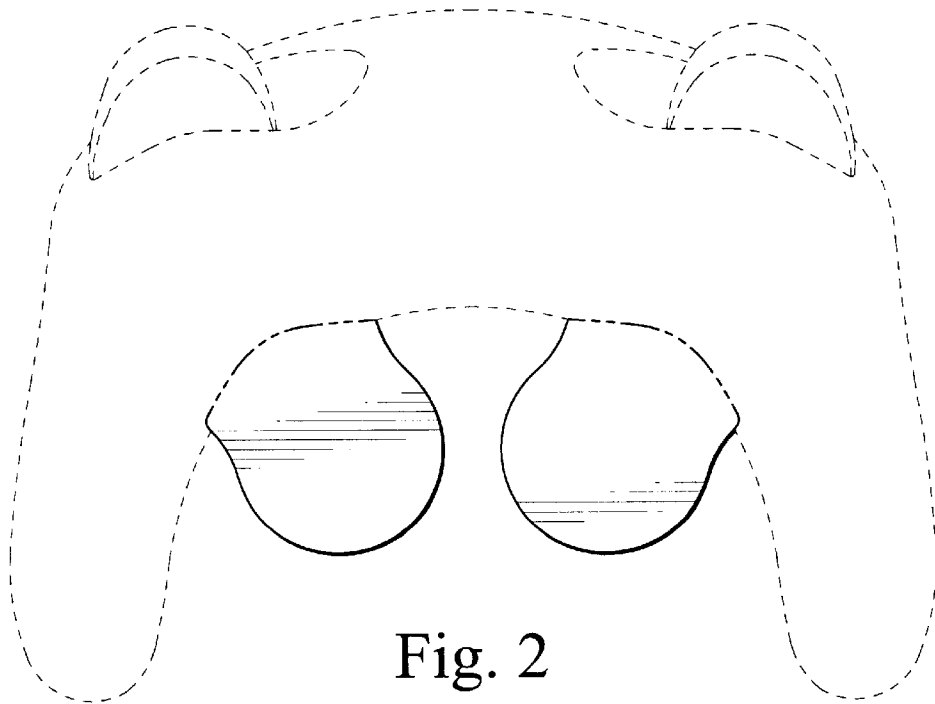


Fig. 2

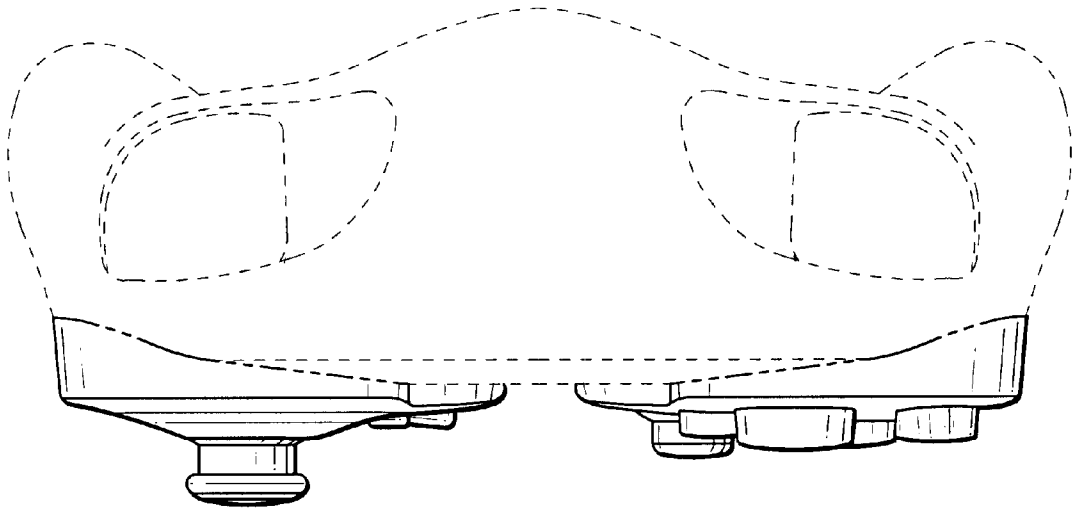


Fig. 3

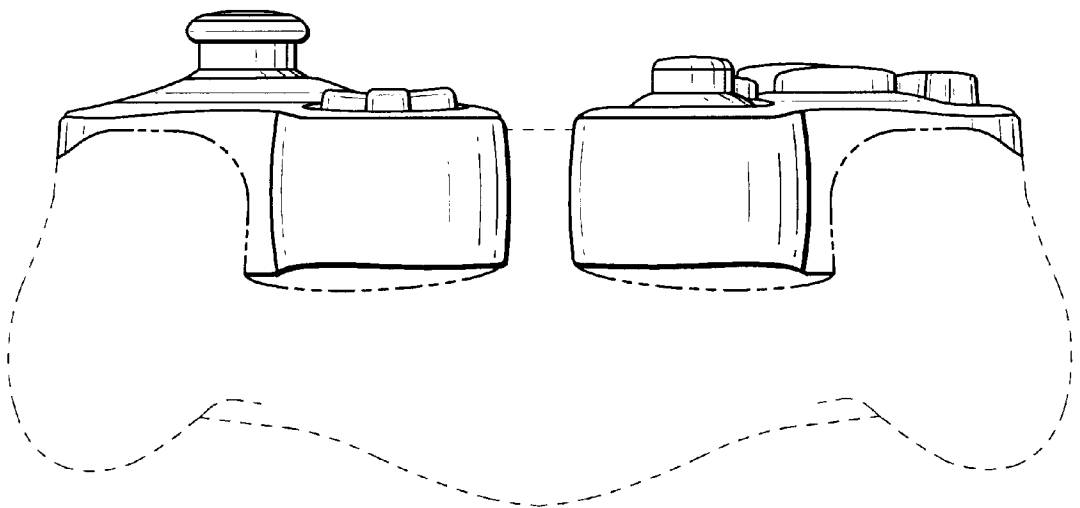


Fig. 4

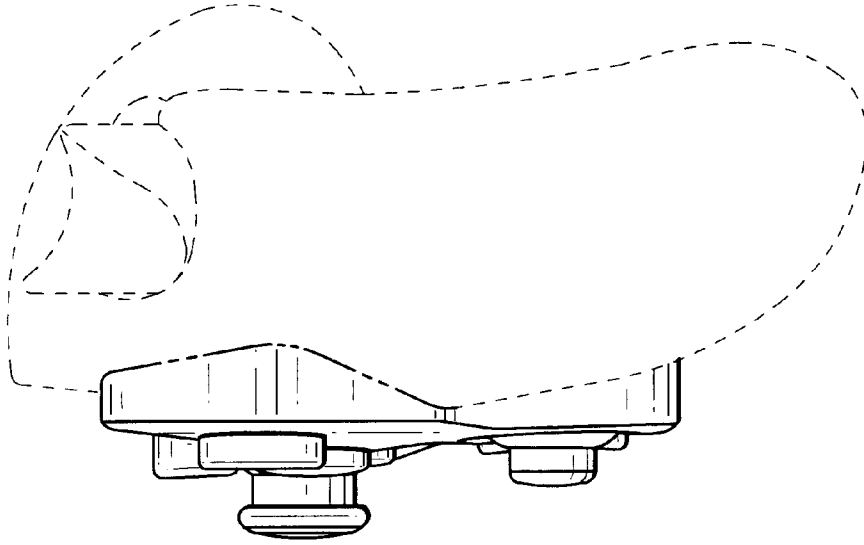


Fig. 5

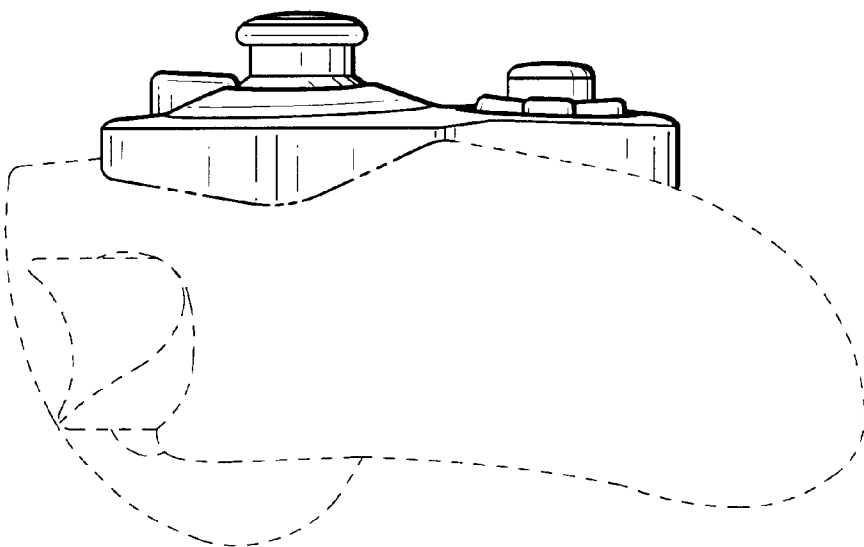


Fig. 6