



US00D685596S

(12) **United States Design Patent**  
**Hendrick et al.**

(10) **Patent No.:** **US D685,596 S**

(45) **Date of Patent:** **\*\* Jul. 9, 2013**

(54) **TABLE**

(76) Inventors: **Robert Hendrick**, Nashville, TN (US);  
**Jim Hendrick**, Nashville, TN (US)

(\*\*) Term: **14 Years**

(21) Appl. No.: **29/414,789**

(22) Filed: **Mar. 2, 2012**

(51) **LOC (9) Cl.** ..... **06-03**

(52) **U.S. Cl.**  
USPC ..... **D6/691.5**

(58) **Field of Classification Search**

USPC ..... D6/480-489, 495-499, 442; 108/153.1,  
108/155, 156, 157.1, 161; 248/188, 188.1,  
248/188.8

See application file for complete search history.

(56) **References Cited**

**U.S. PATENT DOCUMENTS**

D141,857 S *	7/1945	Eisen	.....	D6/485
D303,741 S *	10/1989	Lefkowitz	.....	D6/495
D381,845 S *	8/1997	Thomas	.....	D6/495
D404,593 S *	1/1999	Oltmans	.....	D6/480
D522,279 S *	6/2006	Hansbæk	.....	D6/484

\* cited by examiner

*Primary Examiner* — Janice Seeger

(74) *Attorney, Agent, or Firm* — Waddey & Patterson, PC;  
Matthew C. Cox

(57) **CLAIM**

What is claimed is the ornamental design for a table, as shown and described.

**DESCRIPTION**

FIG. 1 is a top perspective view showing the table of Applicant's invention.

FIG. 2 is a bottom perspective view showing the table of Applicant's invention.

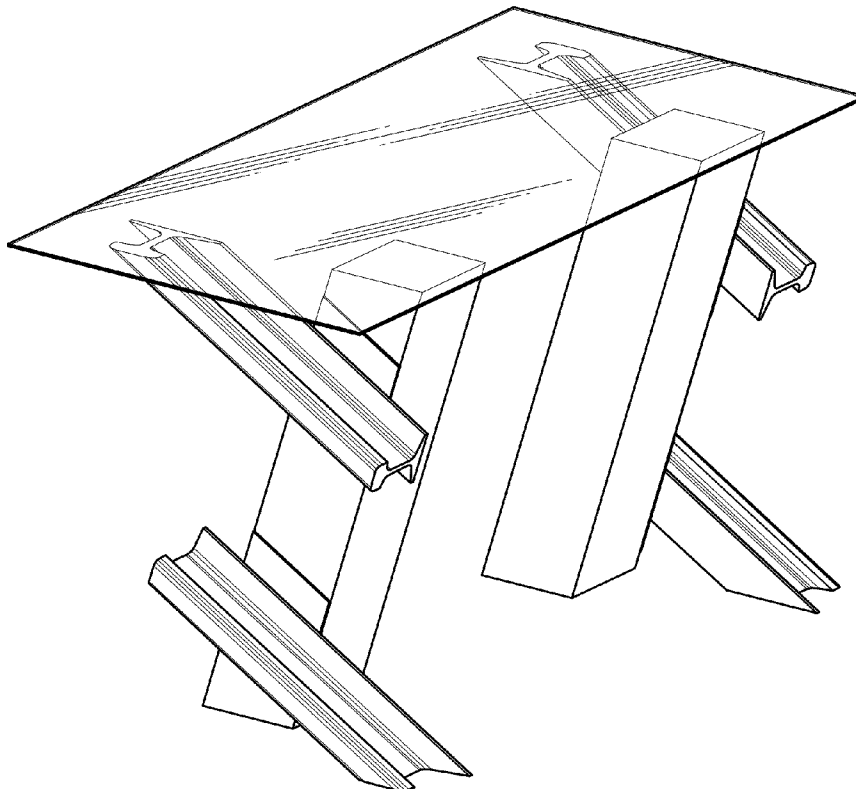
FIG. 3 is a left side elevation view showing the table of Applicant's invention.

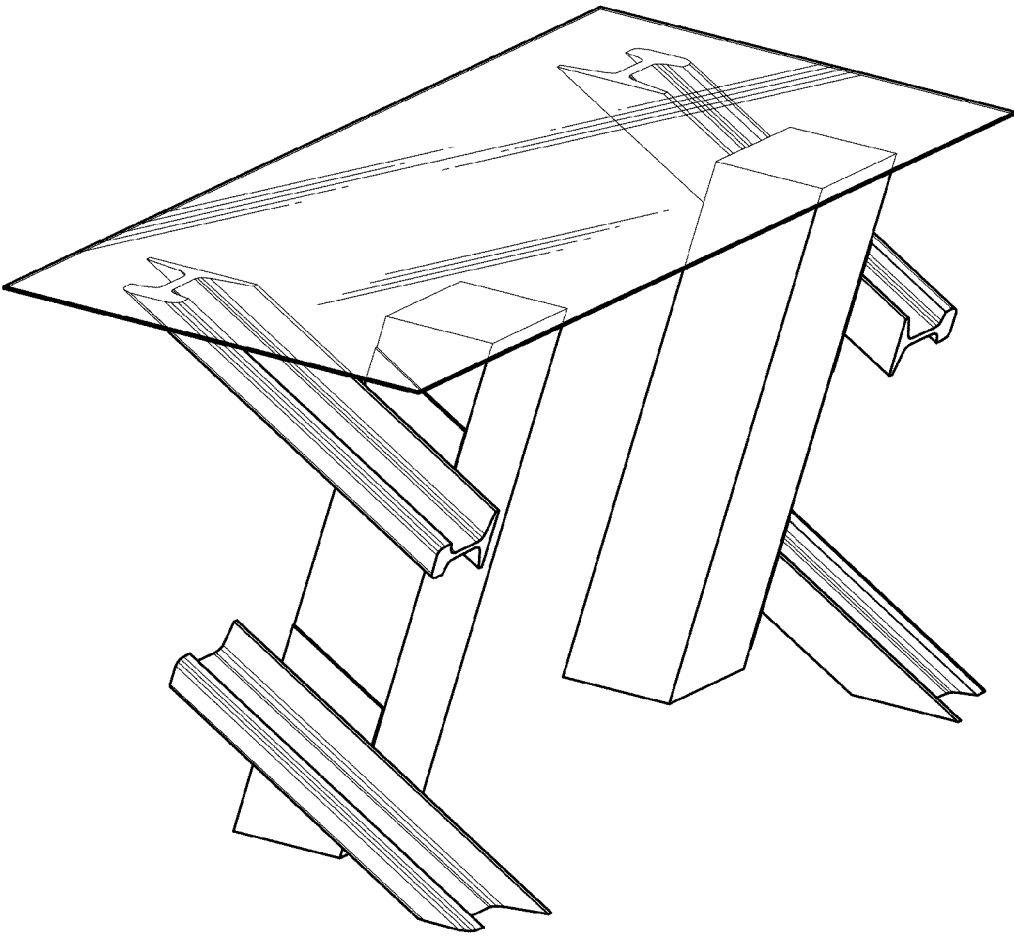
FIG. 4 is a right side elevation view showing the table of Applicant's invention.

FIG. 5 is a front elevation view showing the table of Applicant's invention; and,

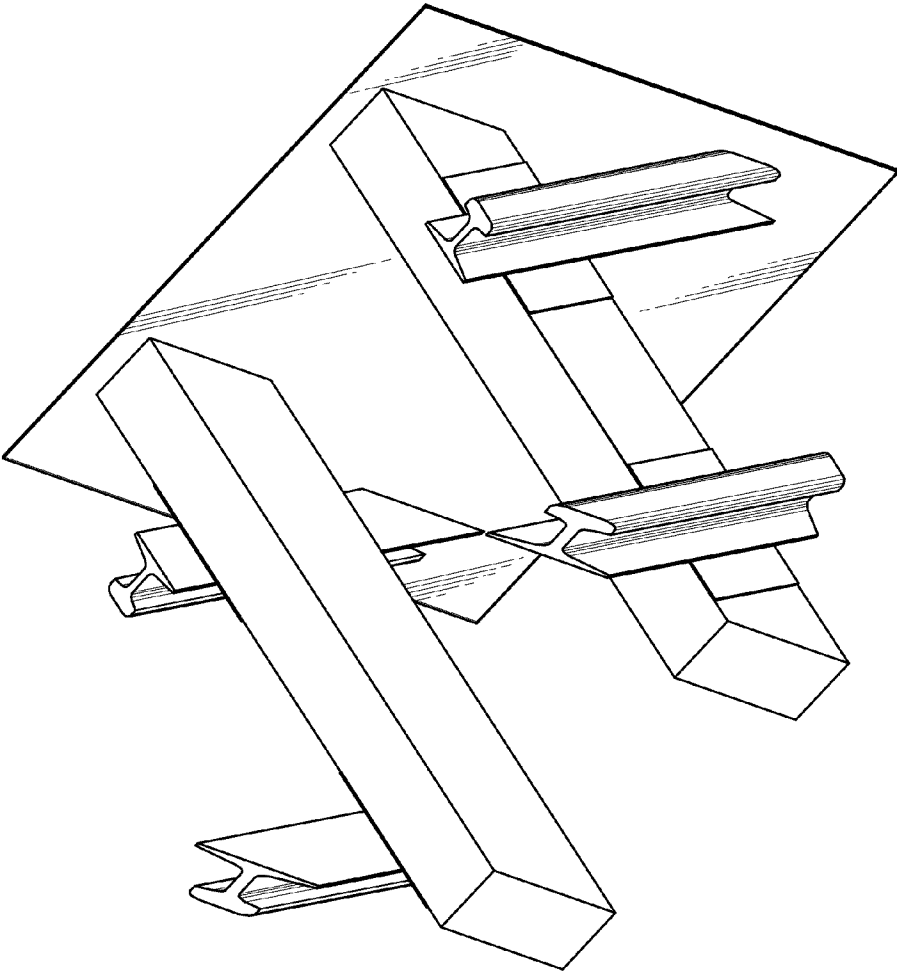
FIG. 6 is a top view showing the table of Applicant's invention.

**1 Claim, 6 Drawing Sheets**

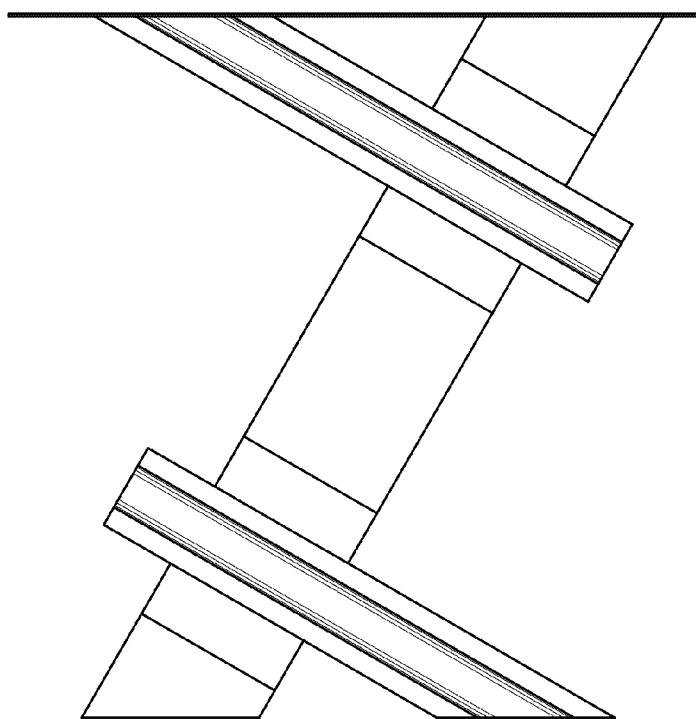




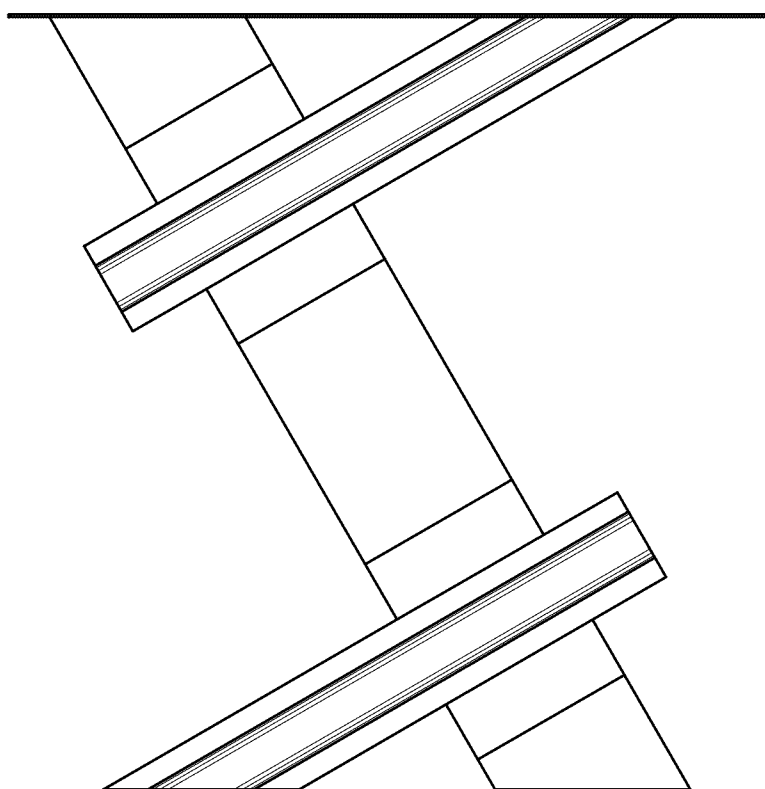
*FIG. 1*



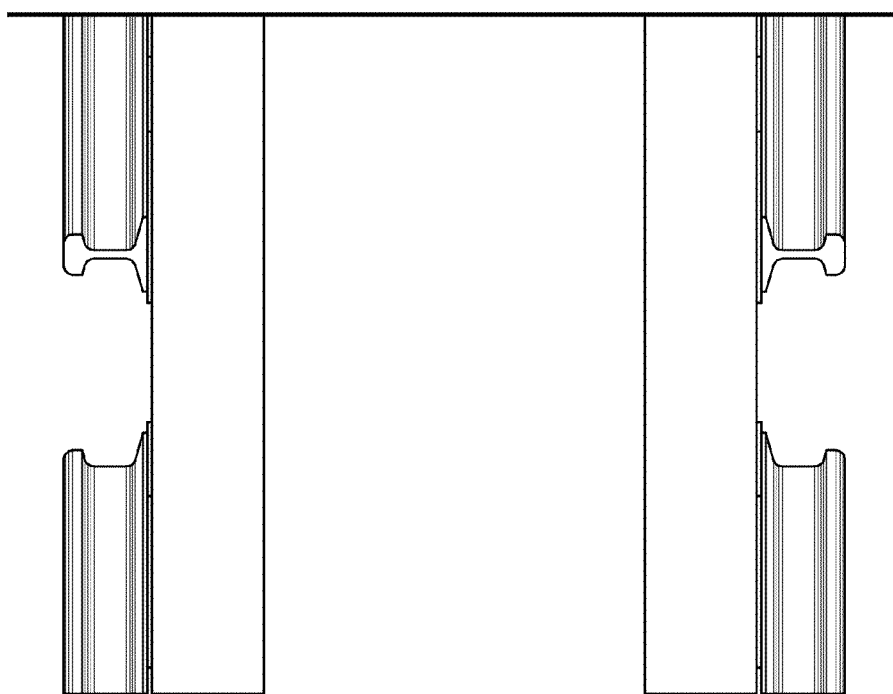
*FIG. 2*



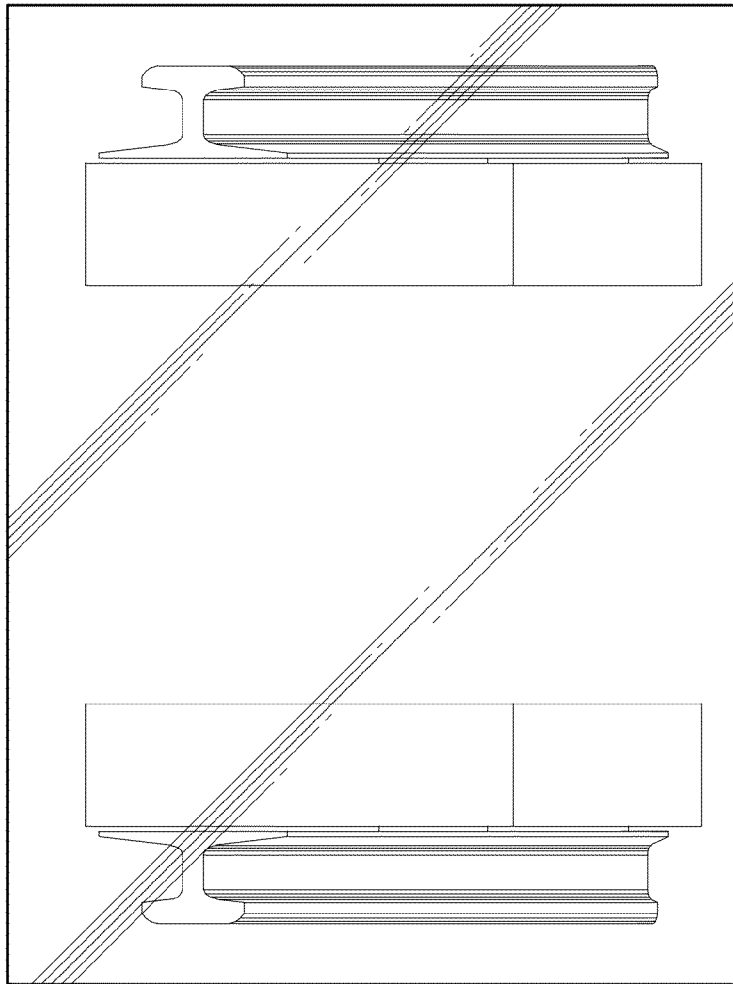
*FIG. 3*



*FIG. 4*



*FIG. 5*



*FIG. 6*