



US00D568676S

(12) **United States Design Patent**
Steiner et al.

(10) **Patent No.:** **US D568,676 S**

(45) **Date of Patent:** **** May 13, 2008**

(54) **SLOW COOKER**

(75) Inventors: **Mark C. Steiner**, Richmond, VA (US);
Cory Borovicka, San Francisco, CA
(US); **Adam Steinman**, Richmond, VA
(US)

(73) Assignee: **Hamilton Beach Brands, Inc.**, Glen
Allen, VA (US)

(**) Term: **14 Years**

(21) Appl. No.: **29/254,798**

(22) Filed: **Feb. 28, 2006**

(51) **LOC (8) Cl.** **07-02**

(52) **U.S. Cl.** **D7/354**

(58) **Field of Classification Search** **D7/323,**
D7/545, 354-361, 337; 219/429-435, 401,
219/438, 440-442; 99/324, 337, 340, 347,
99/403, 410, 411-413, 419; 220/315, 573.1,
220/912

See application file for complete search history.

(56) **References Cited**

U.S. PATENT DOCUMENTS

3,285,159 A	11/1966	Greene	
3,619,560 A	11/1971	Buiting et al.	
3,650,201 A	3/1972	Jovanovic	
4,307,287 A	12/1981	Weiss	
D281,050 S	10/1985	Cesaroni et al.	
5,567,458 A	10/1996	Wu	
D391,926 S	3/1998	Brunner et al.	
5,771,783 A	6/1998	Uss	
D416,434 S *	11/1999	Pollnow	D7/360
D420,246 S	2/2000	Alonge et al.	
D425,360 S *	5/2000	Dobson et al.	D7/360
D433,869 S *	11/2000	Wong et al.	D7/360
6,191,393 B1	2/2001	Park	
6,274,847 B1	8/2001	Hlava et al.	
D450,528 S *	11/2001	Rossman	D7/360
D453,091 S	1/2002	Gouthiere	
6,362,459 B1	3/2002	Schmidt	
D455,040 S	4/2002	Pannozzo et al.	

RE37,988 E	2/2003	Uss	
6,573,483 B1	6/2003	DeCobert et al.	
D480,908 S	10/2003	Krasne	
6,698,923 B2	3/2004	Bedetti et al.	
6,705,209 B2 *	3/2004	Yang et al.	99/337
D488,951 S	4/2004	Josancy	
6,730,889 B1	5/2004	Jones-Lawlor	
6,740,855 B1	5/2004	DeCobert et al.	
6,744,019 B2	6/2004	Takegoshi	
6,756,567 B1	6/2004	Suen	
6,872,921 B1 *	3/2005	DeCobert et al.	219/441
D503,584 S	4/2005	White et al.	
D520,806 S *	5/2006	Ryan	D7/354
D528,353 S *	9/2006	Brady et al.	D7/360

(Continued)

OTHER PUBLICATIONS

West Bend Housewares, 6-Quart Electronic Crockery Cooker
Instruction Manual, Jan. 2005.

Primary Examiner—Mimosa De

Assistant Examiner—Ricky Pham

(74) *Attorney, Agent, or Firm*—Panitch Schwarze Belisario
& Nadel LLP

(57) **CLAIM**

The ornamental design for a slow cooker, as shown and
described.

DESCRIPTION

FIG. 1 is a top perspective view of a slow cooker in
accordance with my new design;

FIG. 2 is a front elevational view thereof;

FIG. 3 is a top plan view thereof;

FIG. 4 is a left-side elevational view thereof;

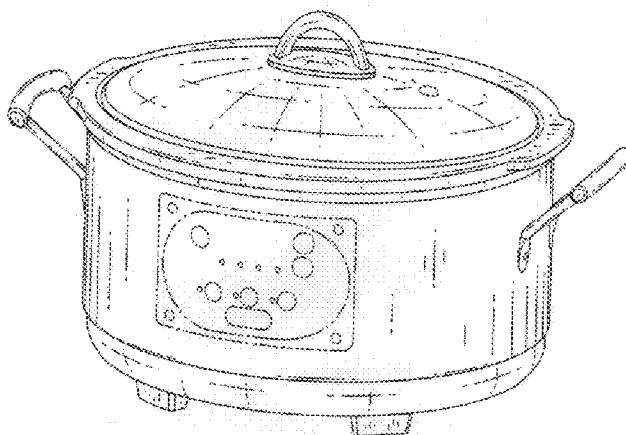
FIG. 5 is a right-side elevational view thereof;

FIG. 6 is a rear elevational view thereof; and,

FIG. 7 is a bottom plan view thereof.

The broken lines in the figures are for illustrative purposes
only and form no part of the claimed design.

1 Claim, 7 Drawing Sheets



US D568,676 S

Page 2

U.S. PATENT DOCUMENTS					
7,140,506	B1 *	11/2006	Brady et al.	220/315	
D537,670	S *	3/2007	Genslak et al.	D7/354	
7,291,812	B2 *	11/2007	Kaney et al.	219/435	
					2005/0184048 A1 8/2005 DeCobert et al.
					2007/0210061 A1 * 9/2007 Tynes et al. 219/433
					2007/0210062 A1 * 9/2007 Gaynor et al. 219/442

* cited by examiner

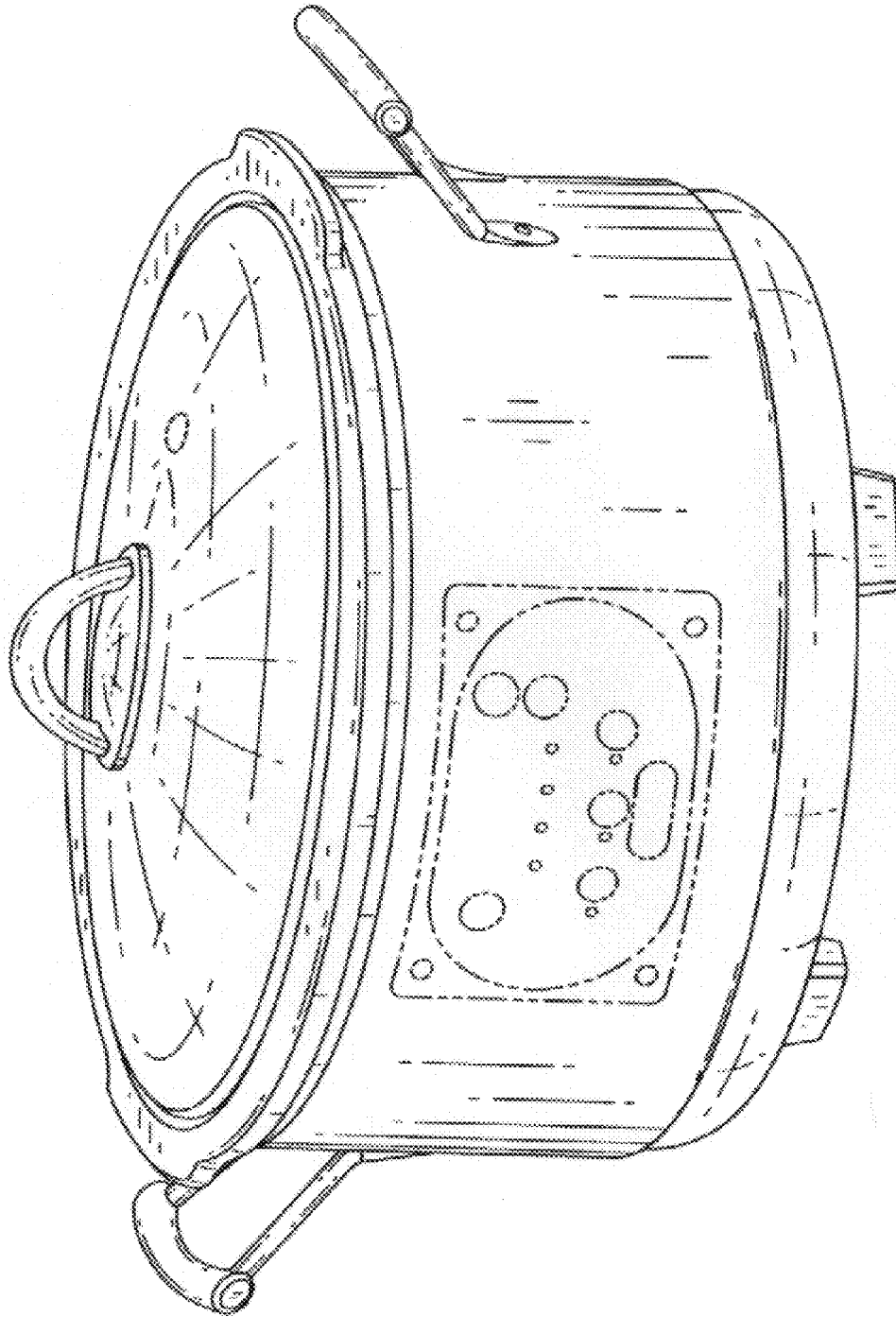


Fig. 1

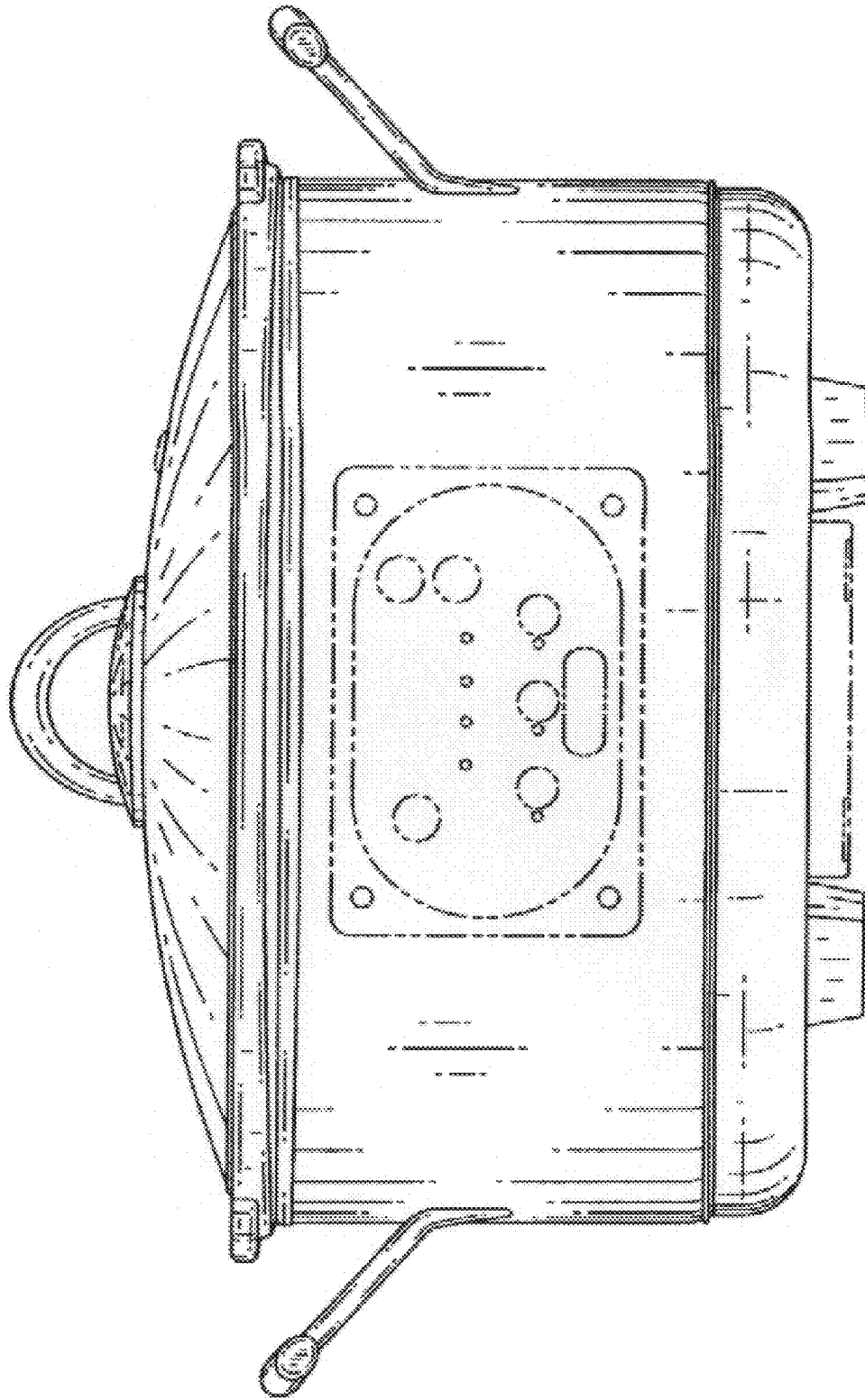


Fig. 2

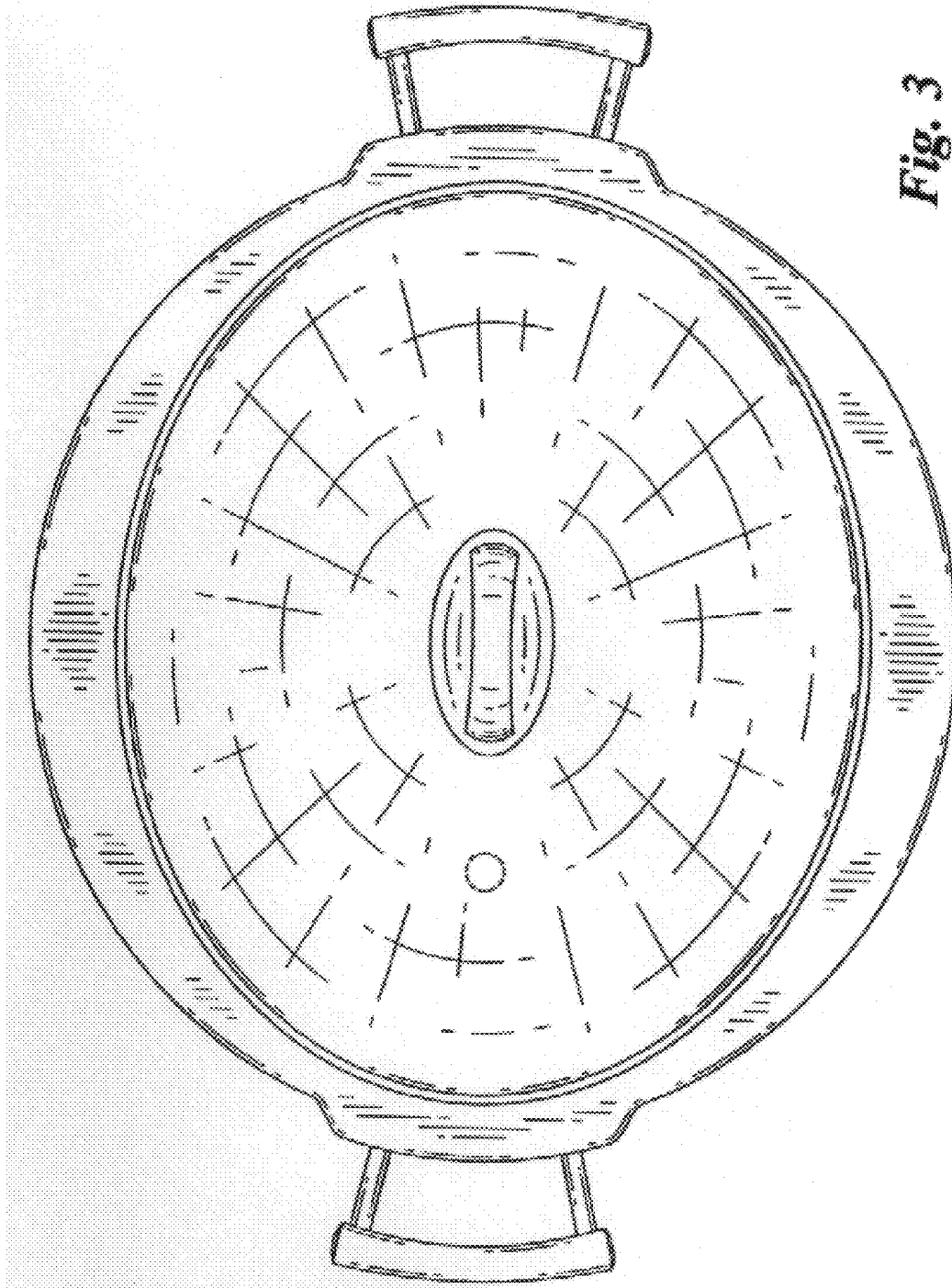


Fig. 3

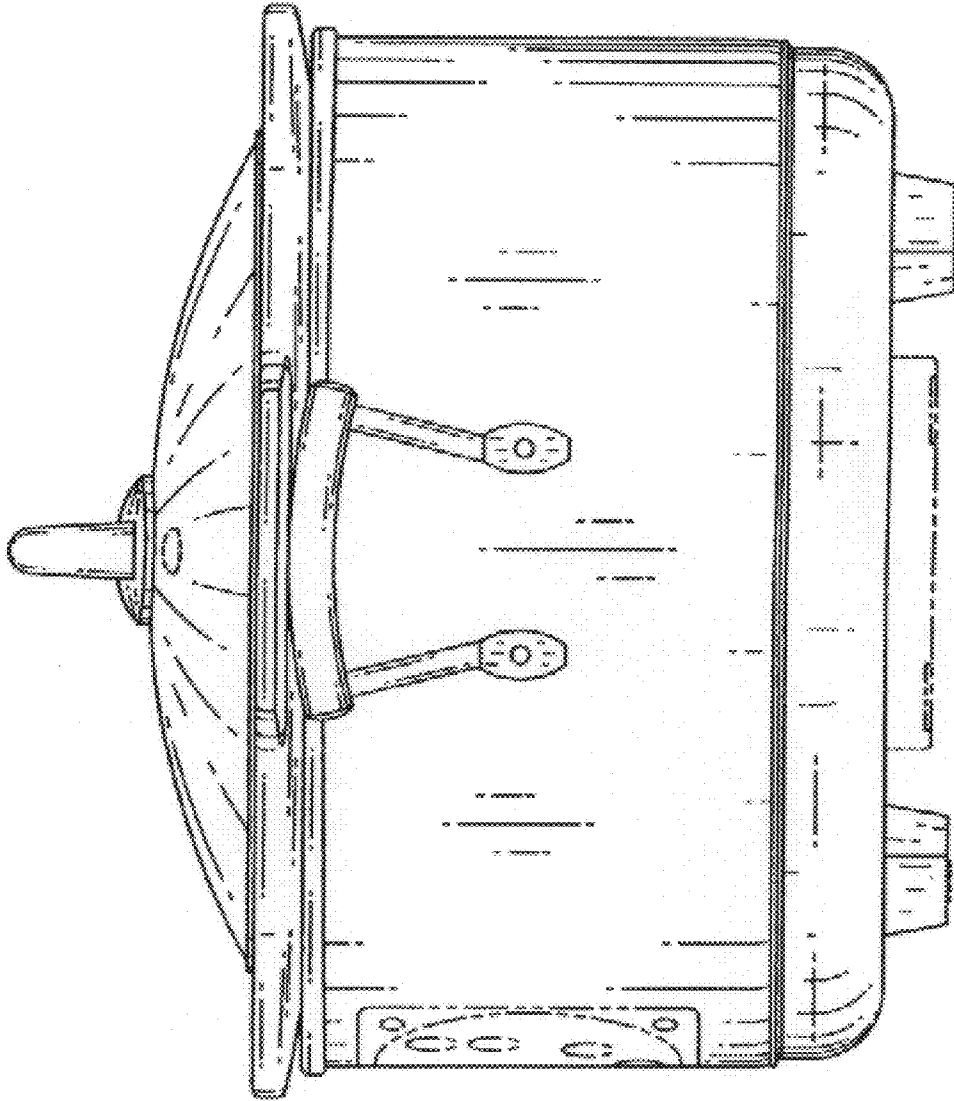


Fig. 4

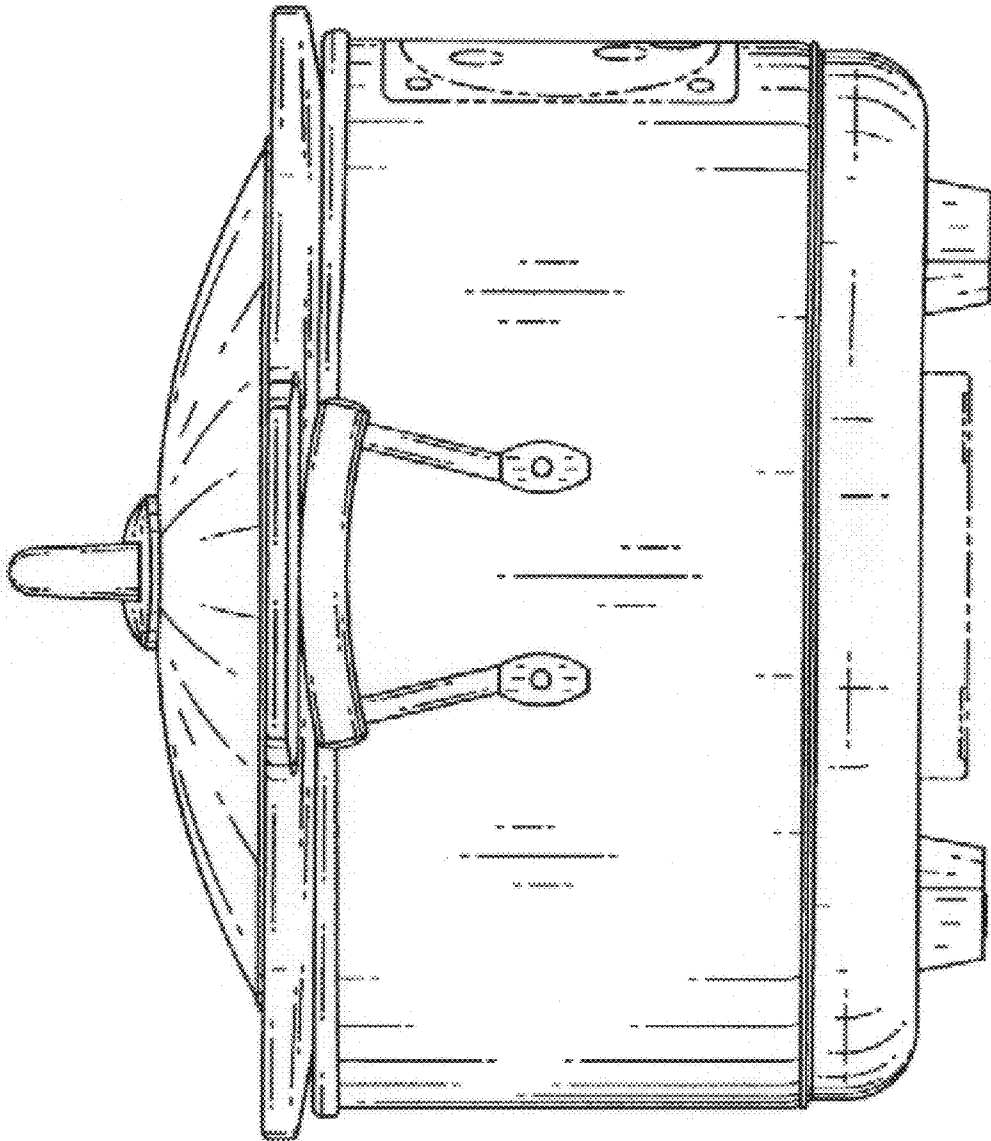


Fig. 5

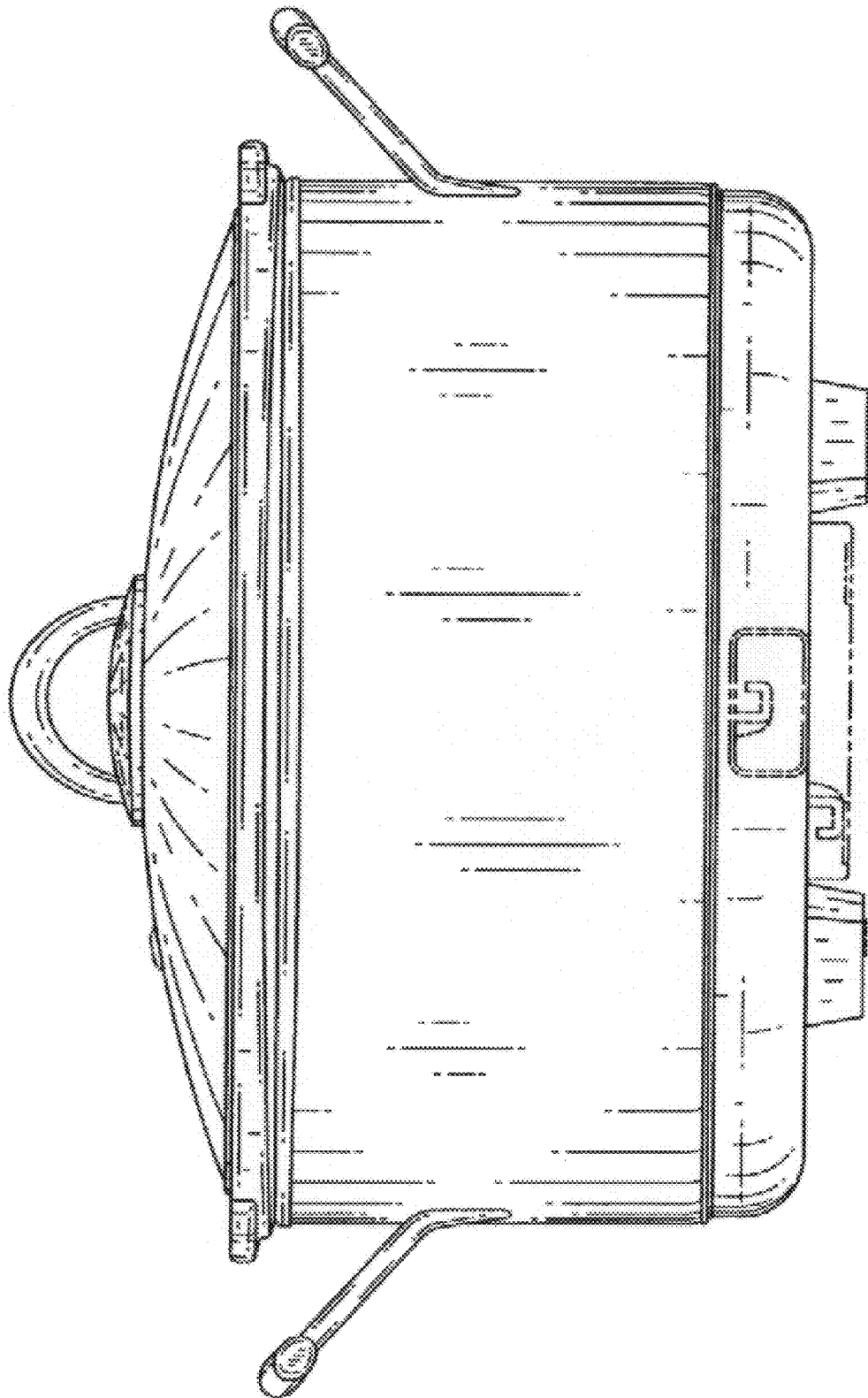


Fig. 6

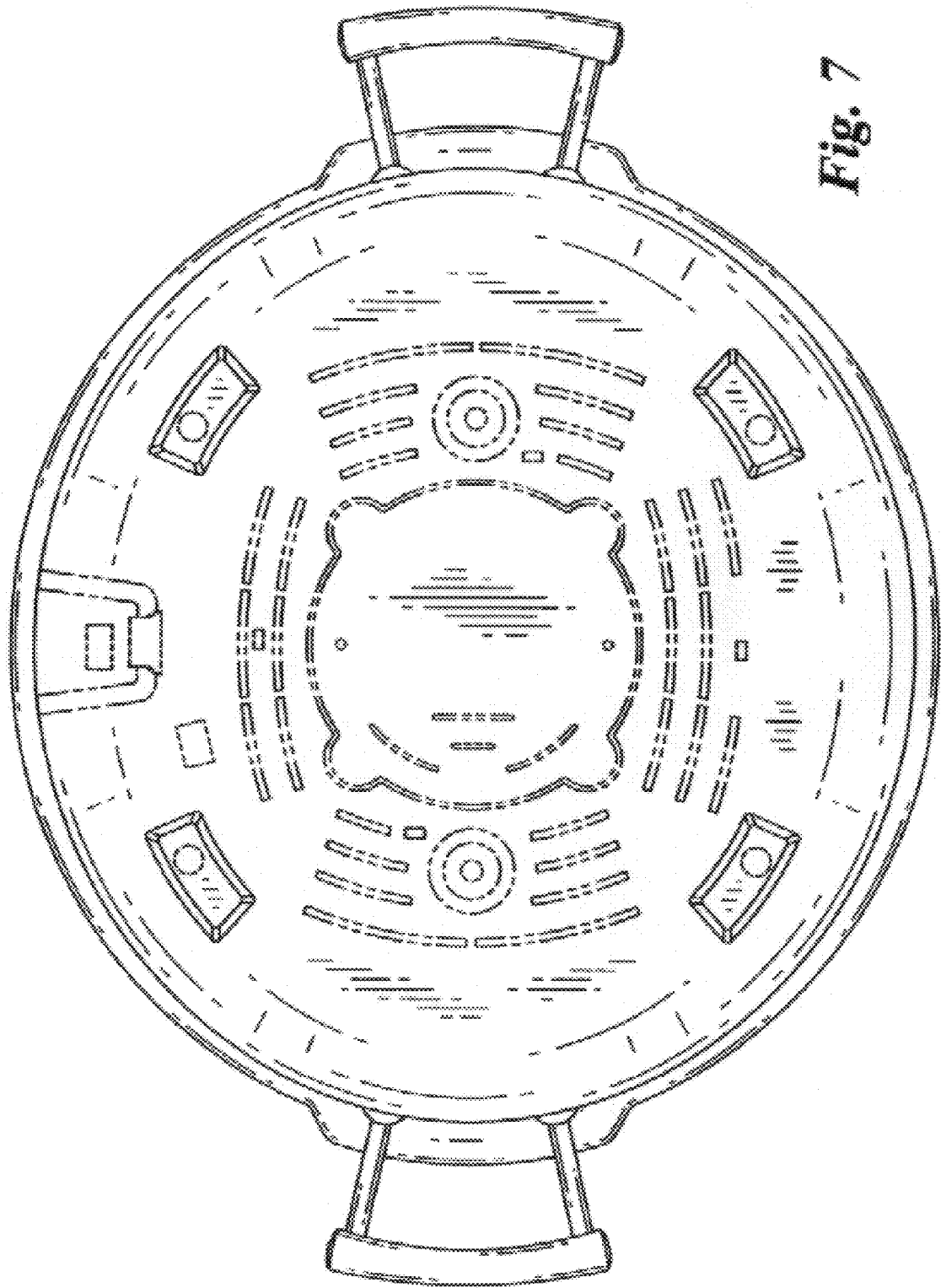


Fig. 7