



US00D787124S

(12) **United States Design Patent**
Purkey

(10) **Patent No.:** **US D787,124 S**

(45) **Date of Patent:** **** May 16, 2017**

(54) **HAIR DEVICE FOR LIFTING, RETENTION, AND STYLING**

(71) Applicant: **Purkey Enterprises, Inc.**, Gainesville, FL (US)

(72) Inventor: **Janet L Purkey**, Knoxville, TN (US)

(73) Assignee: **Purkey Enterprises, LLC**, Gainesville, FL (US)

(**) Term: **15 Years**

(21) Appl. No.: **29/534,498**

(22) Filed: **Jul. 29, 2015**

Related U.S. Application Data

(63) Continuation-in-part of application No. 14/476,105, filed on Sep. 3, 2014, now Pat. No. 9,427,059.

(51) **LOC (10) Cl.** **28-03**

(52) **U.S. Cl.**
USPC **D28/41**

(58) **Field of Classification Search**
USPC D28/41, 39, 40; 132/144, 212, 273-276;
D16/100, 300, 303
CPC ... A45D 8/14; A45D 8/32; A45D 8/00; A45D
2008/004
See application file for complete search history.

(56) **References Cited**

U.S. PATENT DOCUMENTS

7,524 A	6/1874	Mullee	
1,558,931 A	10/1925	Senegas	
2,868,214 A	1/1959	Levy	
3,031,681 A	5/1962	Hoefflich	
D194,556 S *	2/1963	Ranck	D16/309
D200,735 S *	3/1965	Mitchell	351/44
D204,163 S *	3/1966	Mitchell	D16/309

D204,637 S *	5/1966	Mitchell	D16/310
3,471,867 A	10/1969	Kirchhoff	
3,774,998 A *	11/1973	Kise	G02C 3/003 351/113
4,597,469 A	7/1986	Nagashima	
5,175,887 A	1/1993	Kim	
D379,028 S *	5/1997	Young	D2/894
5,692,243 A	12/1997	Chang	
5,697,386 A	12/1997	Chang	
5,987,647 A	11/1999	Ouellette	
D422,750 S *	4/2000	Chou	D28/41
6,421,837 B1	7/2002	Pearcy	
D461,932 S	8/2002	Riva	
D494,711 S	8/2004	LeBow	
6,993,143 B2	1/2006	Harris et al.	
7,156,106 B2 *	1/2007	Lawson	G02C 11/02 132/275
D568,924 S *	5/2008	Markovitz	D16/300
7,455,402 B2	11/2008	Gerber et al.	
D614,808 S *	4/2010	Gonzalez	D16/326
D620,640 S *	7/2010	Kichijo	D28/41

(Continued)

Primary Examiner — Susan Bennett Hattan

Assistant Examiner — Rebecca Tsehaye

(74) *Attorney, Agent, or Firm* — Pitts & Lake, P.C.

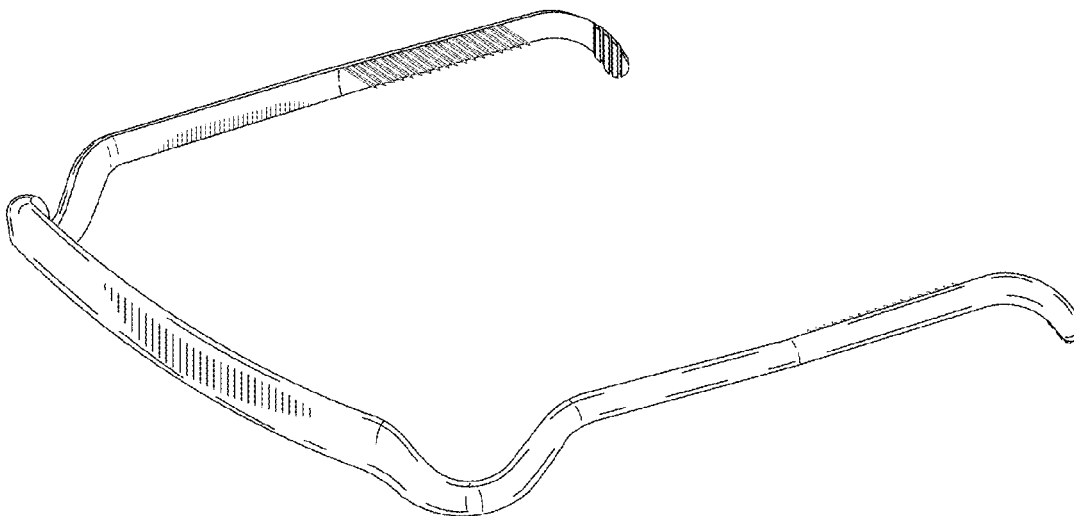
(57) **CLAIM**

I claim the ornamental design for a hair device for lifting, retention and styling, as shown and described.

DESCRIPTION

FIG. 1 is a perspective view for a hair device for lifting, retention and styling showing my new design as set forth in the following specification;
FIG. 2 is a top plan view thereof;
FIG. 3 is a bottom plan view thereof;
FIG. 4 is a front elevation view thereof;
FIG. 5 is a rear elevation view thereof; and,
FIG. 6 is a left side elevation view thereof with the right side elevation view being a mirror image thereof.

1 Claim, 3 Drawing Sheets



(56)

References Cited

U.S. PATENT DOCUMENTS

D638,993	S	5/2011	Goodwin	
8,360,077	B2	1/2013	Defenbaugh et al.	
8,422,718	B2	4/2013	Santiago	
D728,158	S *	4/2015	Beaugureau	D28/41
D759,148	S *	6/2016	Glynn	D16/300
2005/0081280	A1	4/2005	Allgood	
2006/0144416	A1	7/2006	Neal	
2008/0283082	A1	11/2008	Jagemann	
2010/0177907	A1	7/2010	Morisawa	

* cited by examiner

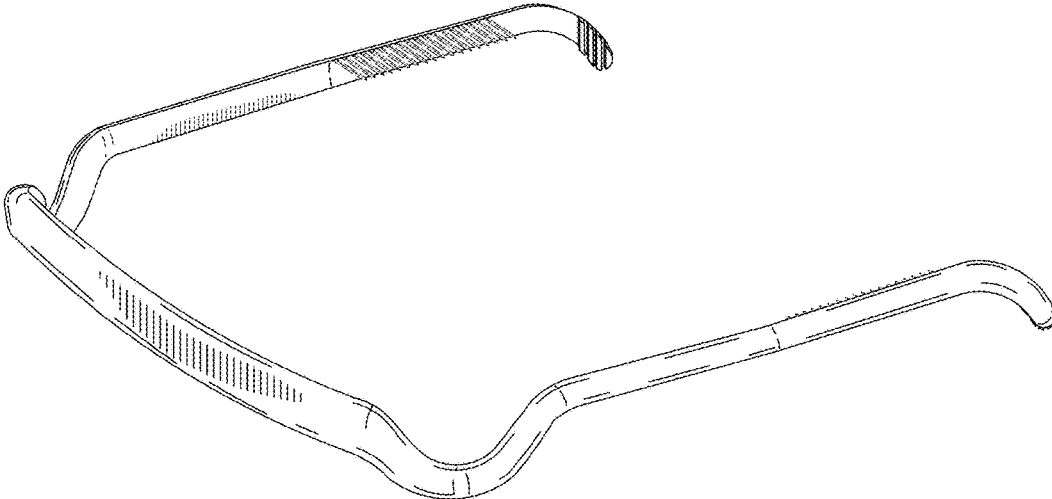


Fig. 1

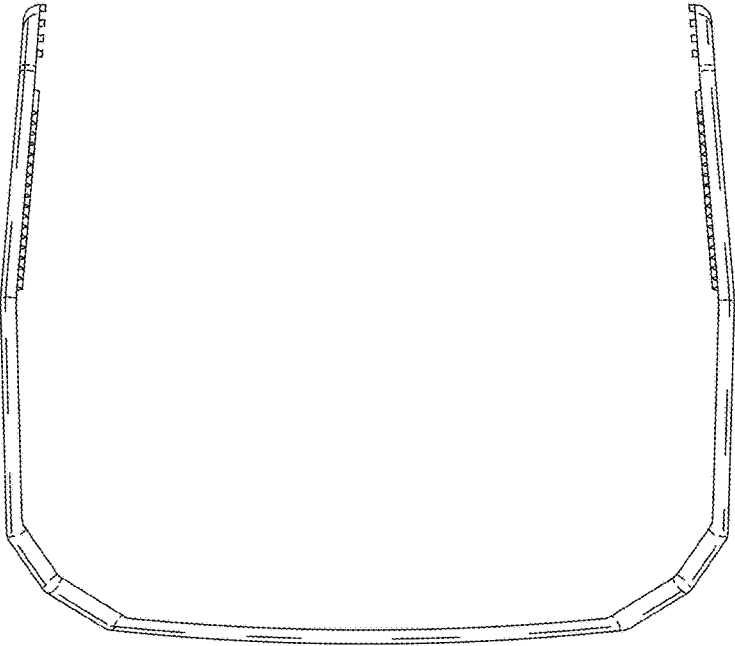


Fig. 2

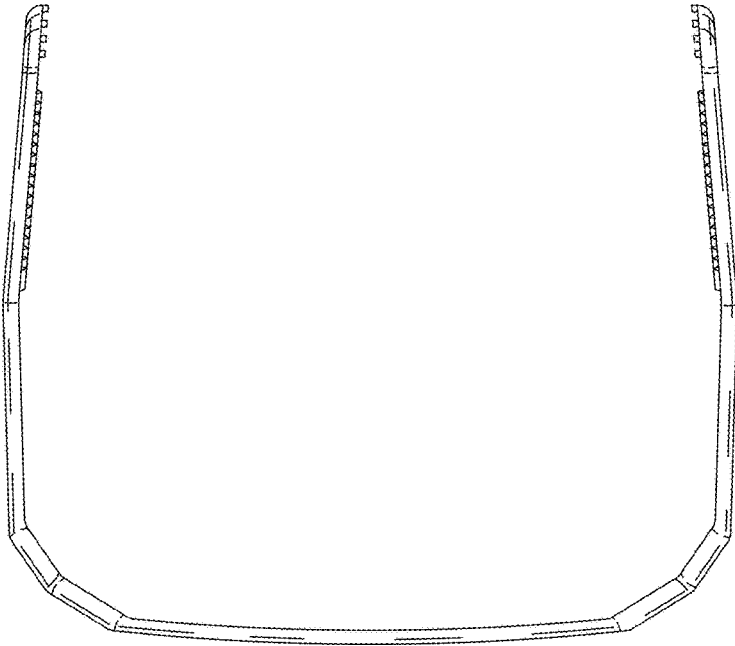


Fig. 3

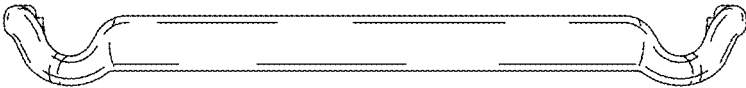


Fig. 4

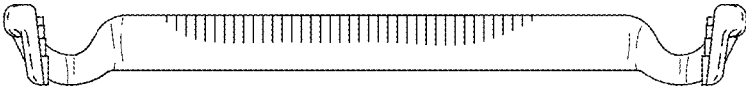


Fig. 5

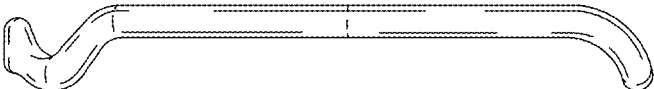


Fig. 6