



US00D764202S

(12) **United States Design Patent**  
**Kirar**

(10) **Patent No.:** **US D764,202 S**

(45) **Date of Patent:** **\*\* Aug. 23, 2016**

(54) **CHAIR**

(71) Applicant: **The McGuire Furniture Company**, San Francisco, CA (US)

(72) Inventor: **Laura Kirar**, New York, NY (US)

(73) Assignee: **KOHLER INTERIORS FURNITURE COMPANY**, Hickory, NC (US)

(\*\*) Term: **15 Years**

(21) Appl. No.: **29/549,155**

(22) Filed: **Dec. 18, 2015**

**Related U.S. Application Data**

(62) Division of application No. 29/468,740, filed on Oct. 2, 2013, now Pat. No. Des. 746,608.

(51) **LOC (10) Cl.** ..... **06-01**

(52) **U.S. Cl.**  
USPC ..... **D6/364**

(58) **Field of Classification Search**  
USPC ..... D6/334–336, 360–381, 388, 716,  
D6/716.1–716.4

CPC ..... A47C 1/00; A47C 4/02; A47C 4/03;  
A47C 4/04; A47C 7/021; A47C 7/18  
See application file for complete search history.

(56) **References Cited**

**U.S. PATENT DOCUMENTS**

|              |         |          |        |
|--------------|---------|----------|--------|
| D104,073 S   | 4/1937  | Lewis    |        |
| D104,144 S   | 4/1937  | Lewis    |        |
| 3,851,681 A  | 12/1974 | Egan     |        |
| D234,329 S   | 2/1975  | Rocchia  |        |
| D234,330 S   | 2/1975  | Rocchia  |        |
| D243,571 S   | 3/1977  | Wisner   |        |
| D286,587 S   | 11/1986 | Culler   |        |
| D332,183 S   | 1/1993  | White    |        |
| D346,910 S * | 5/1994  | Caldwell | D6/369 |
| D388,965 S * | 1/1998  | Mourgue  | D6/334 |

|              |         |                |        |
|--------------|---------|----------------|--------|
| D410,800 S   | 6/1999  | Gomez          |        |
| D412,408 S   | 8/1999  | Navone         |        |
| D422,422 S   | 4/2000  | Black          |        |
| D430,973 S   | 9/2000  | Frankel et al. |        |
| D431,383 S   | 10/2000 | Frinier        |        |
| D434,233 S * | 11/2000 | Frankel        | D6/334 |
| D463,147 S   | 9/2002  | Montalbano     |        |
| D499,896 S   | 12/2004 | Gruber         |        |

(Continued)

**OTHER PUBLICATIONS**

US Notice of Allowance dated Dec. 23, 2015, from related U.S. Appl. No. 29/541,144.

*Primary Examiner* — Ricky Pham

(74) *Attorney, Agent, or Firm* — Foley & Lardner LLP

(57) **CLAIM**

I claim the ornamental design for a chair, as shown and described.

**DESCRIPTION**

FIG. 1 is a top, front, right perspective view of a chair showing my new design;

FIG. 2 is a front elevation view thereof;

FIG. 3 is a rear elevation view thereof;

FIG. 4 is a right elevation view thereof;

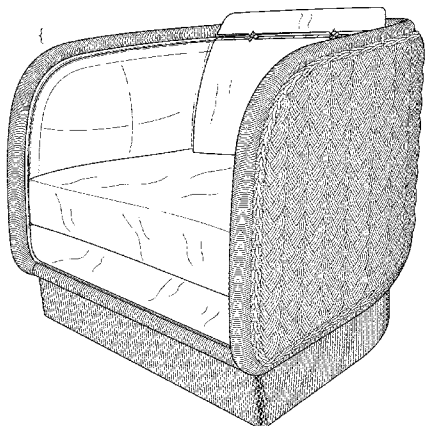
FIG. 5 is a left elevation view thereof;

FIG. 6 is a top plan view thereof; and,

FIG. 7 is a bottom plan view thereof.

The ornamental design which is claimed is shown in solid lines in the drawings. The broken lines in the drawings are for illustrative purposes only and form no part of the claimed design. Broken lines formed by equal length dashes show unclaimed portions of the design. Broken lines formed of unequal length dashes (i.e., dash-dot) show boundaries between claimed and unclaimed portions of the design. Lines having a jagged element are not part of the claimed design and show that no particular length of the portion is claimed.

**1 Claim, 7 Drawing Sheets**



(56)

**References Cited**

U.S. PATENT DOCUMENTS

|              |         |               |       |              |         |               |       |        |
|--------------|---------|---------------|-------|--------------|---------|---------------|-------|--------|
| D541,543 S   | 5/2007  | Doughty       |       | D610,364 S * | 2/2010  | Lowsky        | ..... | D6/369 |
| D542,571 S   | 5/2007  | Bryant et al. |       | D613,942 S   | 4/2010  | Shing         |       |        |
| D550,470 S * | 9/2007  | Wang          | ..... | D626,350 S * | 11/2010 | Chang         | ..... | D6/369 |
| D554,872 S   | 11/2007 | Wimberger     |       | D643,224 S   | 8/2011  | Sofield       |       |        |
| D572,030 S * | 7/2008  | Lowsky        | ..... | D661,507 S   | 6/2012  | Grotta et al. |       |        |
| D572,926 S   | 7/2008  | Lowsky        |       | D663,966 S * | 7/2012  | Lenney        | ..... | D6/369 |
| D596,414 S   | 7/2009  | Natuzzi       |       | D664,782 S * | 8/2012  | Lenney        | ..... | D6/369 |
| D600,034 S * | 9/2009  | White, III    | ..... | D668,465 S * | 10/2012 | Adir          | ..... | D6/369 |
| D609,486 S * | 2/2010  | Lowsky        | ..... | D678,691 S   | 3/2013  | Frinier       |       |        |
|              |         |               |       | D689,708 S   | 9/2013  | Lowsky        |       |        |
|              |         |               |       | D722,441 S   | 2/2015  | Kirar         |       |        |
|              |         |               |       | D746,608 S * | 1/2016  | Kirar         | ..... | D6/364 |

\* cited by examiner

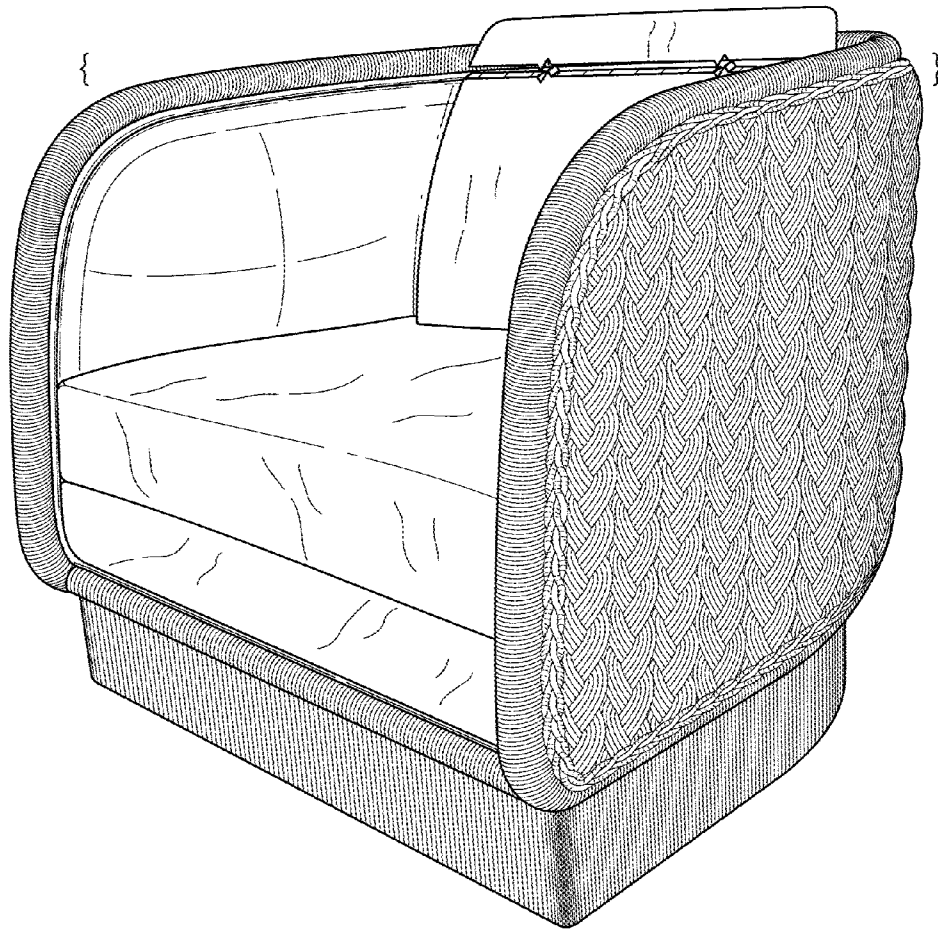


FIG. 1

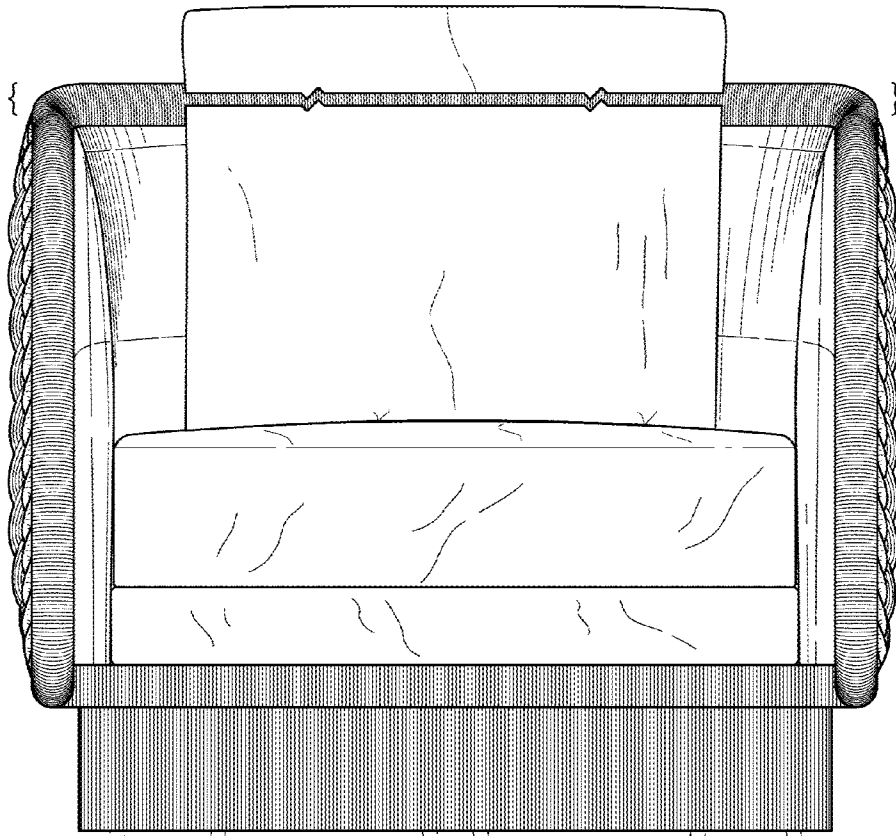


FIG. 2

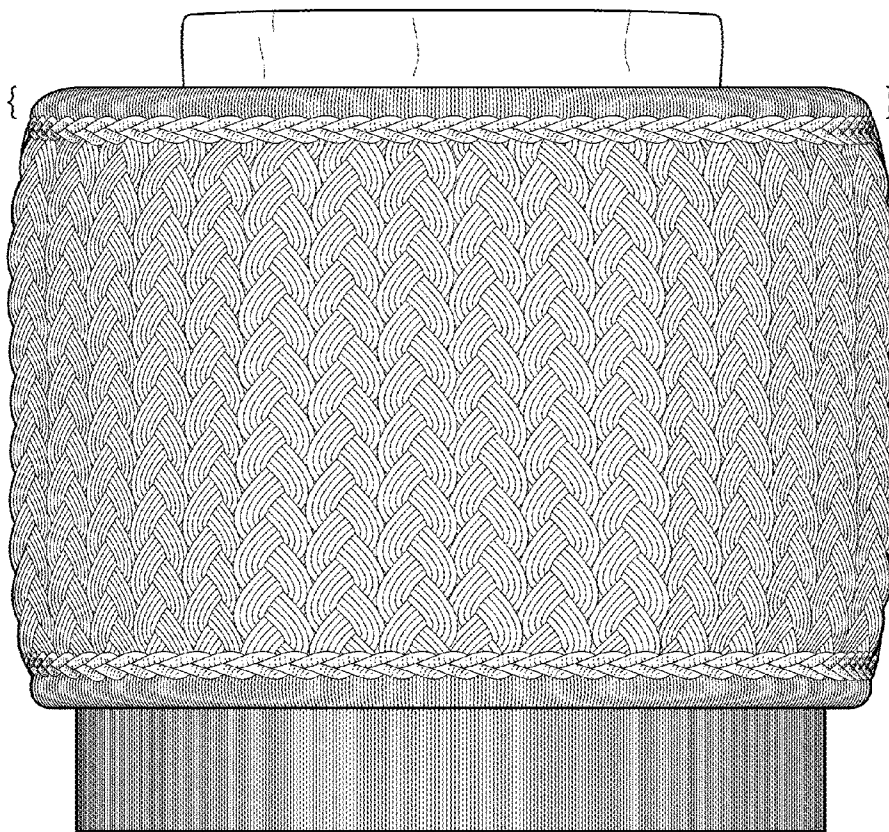


FIG. 3

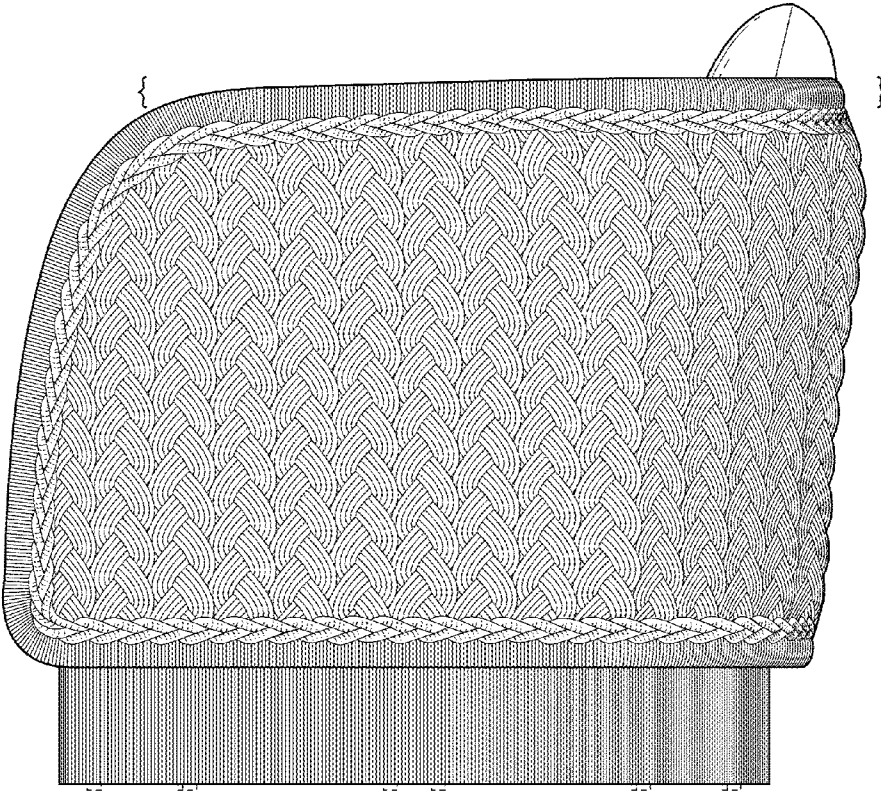


FIG. 4

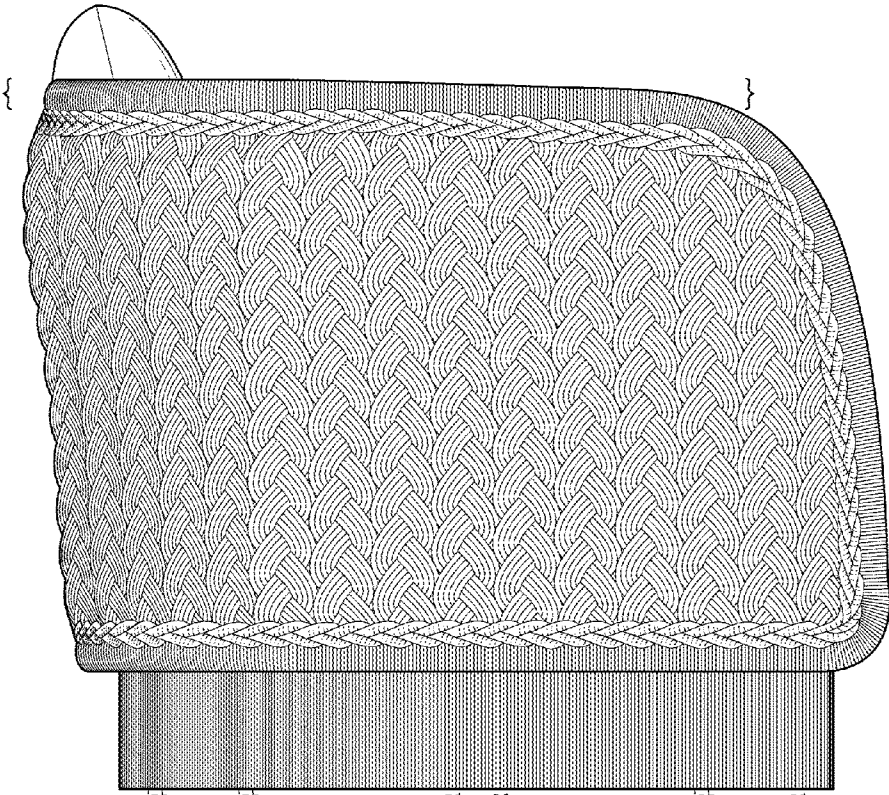


FIG. 5

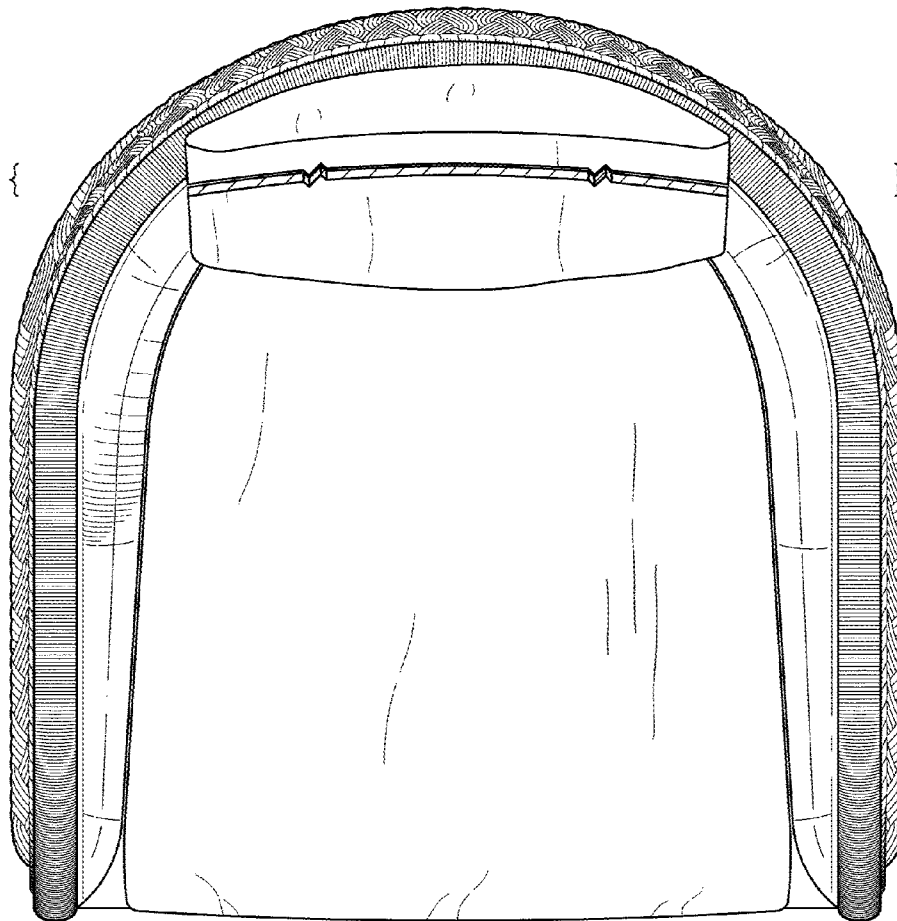


FIG. 6

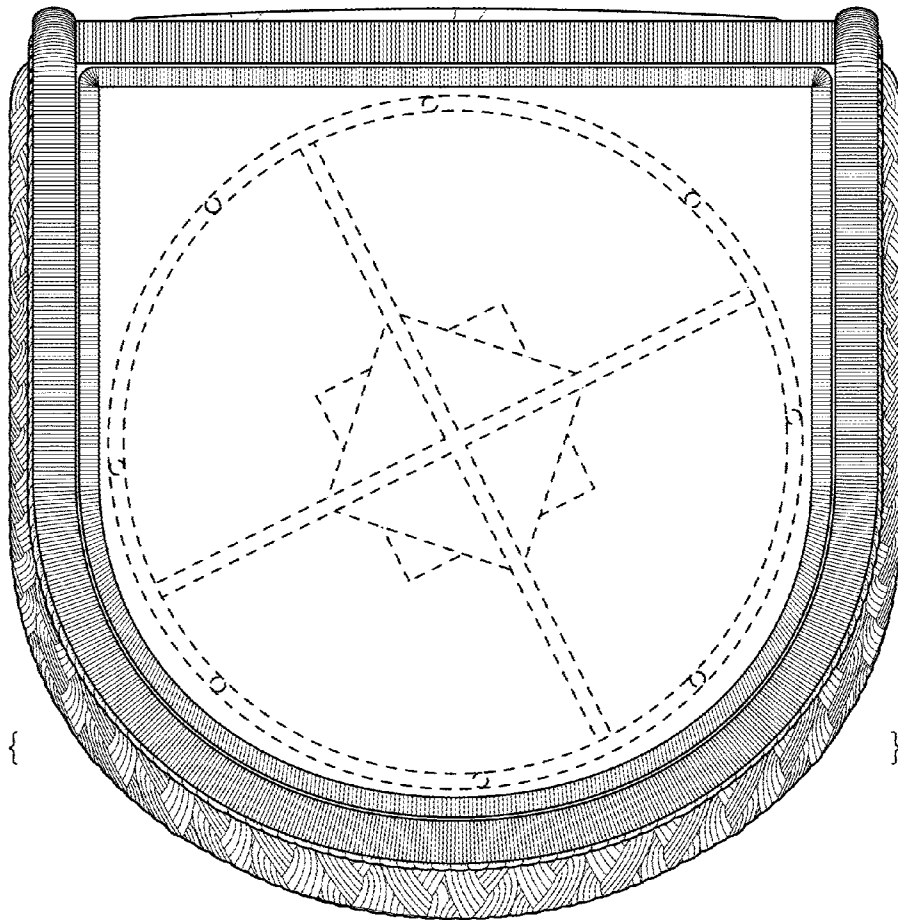


FIG. 7