

(19) World Intellectual Property Organization  
International Bureau



(43) International Publication Date  
3 November 2011 (03.11.2011)

(10) International Publication Number  
**WO 2011/136600 A3**

- (51) International Patent Classification:  
H04B 7/04 (2006.01) H04W 24/10 (2009.01)  
H04J 11/00 (2006.01)
- (21) International Application Number:  
PCT/KR2011/003183
- (22) International Filing Date:  
29 April 2011 (29.04.2011)
- (25) Filing Language: English
- (26) Publication Language: English
- (30) Priority Data:  
61/329,634 30 April 2010 (30.04.2010) US  
61/355,681 17 June 2010 (17.06.2010) US  
61/356,768 21 June 2010 (21.06.2010) US  
10-2011-0014052  
17 February 2011 (17.02.2011) KR

(72) Inventors: **CHOI, Jun Il**; No. 104-1302, Bangbae Hyeondae Memphis Apt., Bangbaebon-dong, Seocho-gu, Seoul 137-069 (KR). **CLERCKX, Bruno**; No. 920, Seocho Io Vill, 1593-7 Seocho-dong, Seocho-gu, Seoul 137-070 (KR). **KIM, Ki Il**; Nokwon Maeul Saecheon-nyeon Green Vill Apt., Singal-dong, Giheung-gu, Yongin-si, Gyeonggi-do 446-586 (KR). **CHO, Joon Young**; No. 224-101, Hwanggol Maeul 2-danji Apt., Yeongtong-dong, Yeongtong-gu, Suwon-si, Gyeonggi-do 443-470 (KR). **HAN, Jin Kyu**; 112-1113 Geukdong Apt., Sadang 2-dong, Dongjak-gu, Seoul 156-772 (KR).

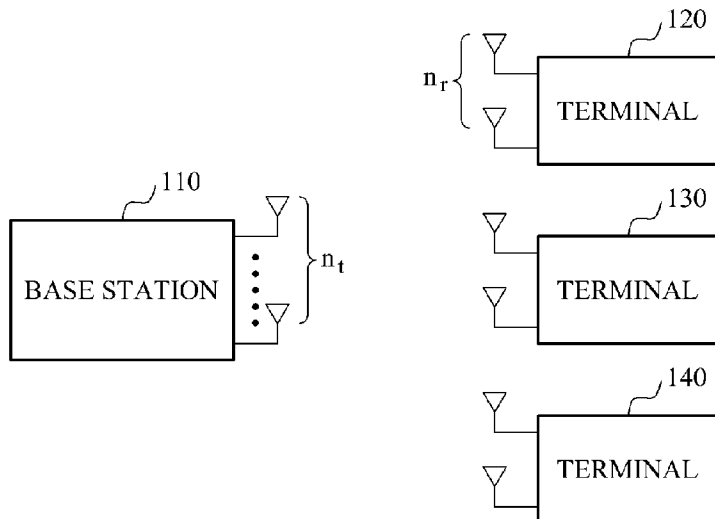
(74) Agent: **MUHANN PATENT & LAW FIRM**; 2, 5, 6th Floor, Myeonglim Building, 51-8 Nonhyeon-dong, Gangnam-gu, Seoul 135-814 (KR).

(81) Designated States (unless otherwise indicated, for every kind of national protection available): AE, AG, AL, AM, AO, AT, AU, AZ, BA, BB, BG, BH, BR, BW, BY, BZ, CA, CH, CL, CN, CO, CR, CU, CZ, DE, DK, DM, DO, DZ, EC, EE, EG, ES, FI, GB, GD, GE, GH, GM, GT, HN, HR, HU, ID, IL, IN, IS, JP, KE, KG, KM, KN, KP, KZ, LA, LC, LK, LR, LS, LT, LU, LY, MA, MD, ME, MG, MK, MN, MW, MX, MY, MZ, NA, NG, NI, NO, NZ, OM, PE, PG, PH, PL, PT, RO, RS, RU, SC, SD, SE,

[Continued on next page]

(54) Title: MULTIPLE-INPUT MULTIPLE-OUTPUT COMMUNICATION SYSTEM SUPPORTING MULTIPLE REPORTING MODES

[Fig. 1]



(57) Abstract: A plurality of reporting modes used to report feedback information is provided. A transmitter and a receiver generate and share feedback information based on a corresponding reporting mode.

WO 2011/136600 A3



SG, SK, SL, SM, ST, SV, SY, TH, TJ, TM, TN, TR, TT, TZ, UA, UG, US, UZ, VC, VN, ZA, ZM, ZW.

**Published:**

**(84) Designated States** (unless otherwise indicated, for every kind of regional protection available): ARIPO (BW, GH, GM, KE, LR, LS, MW, MZ, NA, SD, SL, SZ, TZ, UG, ZM, ZW), Eurasian (AM, AZ, BY, KG, KZ, MD, RU, TJ, TM), European (AL, AT, BE, BG, CH, CY, CZ, DE, DK, EE, ES, FI, FR, GB, GR, HR, HU, IE, IS, IT, LT, LU, LV, MC, MK, MT, NL, NO, PL, PT, RO, RS, SE, SI, SK, SM, TR), OAPI (BF, BJ, CF, CG, CI, CM, GA, GN, GQ, GW, ML, MR, NE, SN, TD, TG).

- with international search report (Art. 21(3))
- before the expiration of the time limit for amending the claims and to be republished in the event of receipt of amendments (Rule 48.2(h))

**(88) Date of publication of the international search report:**

1 March 2012

**A. CLASSIFICATION OF SUBJECT MATTER****H04B 7/04(2006.01)i, H04J 11/00(2006.01)i, H04W 24/10(2009.01)i**

According to International Patent Classification (IPC) or to both national classification and IPC

**B. FIELDS SEARCHED**

Minimum documentation searched (classification system followed by classification symbols)

H04B 7/04; H04B 7/26; H04B 7/02

Documentation searched other than minimum documentation to the extent that such documents are included in the fields searched

Korean utility models and applications for utility models

Japanese utility models and applications for utility models

Electronic data base consulted during the international search (name of data base and, where practicable, search terms used)

eKOMPASS(KIPO internal) &amp; Keywords: precoding, matrix, indicator, feedback, reporting, mode, subband, channel, quality, rank

**C. DOCUMENTS CONSIDERED TO BE RELEVANT**

Category*	Citation of document, with indication, where appropriate, of the relevant passages	Relevant to claim No.
Y A	KR 10-2009-0083834 A (LG ELECTRONICS INC.) 04 August 2009 See abstract, paragraphs [0027]-[0042], claim 1 and figures 3,4,5.	1,6,11 2-5,7-10,12-34
Y A	KR 10-2009-0016386 A (LG ELECTRONICS INC.) 13 February 2009 See abstract, claim 1, paragraphs [0055], [0068], [0079], [0101]-[0106],[0115]-[0117], figures 9,11-12,17-18.	1,6,11 2-5,7-10,12-34
A	KR 10-2009-0016374 A (LG ELECTRONICS INC.) 13 February 2009 See abstract, claim 1 and figures 9-12.	1-34
A	KR 10-2010-0005649 A (LG ELECTRONICS INC.) 15 January 2010 See abstract and claim 1.	1-34

 Further documents are listed in the continuation of Box C. See patent family annex.

\* Special categories of cited documents:

"A" document defining the general state of the art which is not considered to be of particular relevance

"E" earlier application or patent but published on or after the international filing date

"L" document which may throw doubts on priority claim(s) or which is cited to establish the publication date of citation or other special reason (as specified)

"O" document referring to an oral disclosure, use, exhibition or other means

"P" document published prior to the international filing date but later than the priority date claimed

"T" later document published after the international filing date or priority date and not in conflict with the application but cited to understand the principle or theory underlying the invention

"X" document of particular relevance; the claimed invention cannot be considered novel or cannot be considered to involve an inventive step when the document is taken alone

"Y" document of particular relevance; the claimed invention cannot be considered to involve an inventive step when the document is combined with one or more other such documents, such combination being obvious to a person skilled in the art

"&amp;" document member of the same patent family

Date of the actual completion of the international search

27 DECEMBER 2011 (27.12.2011)

Date of mailing of the international search report

**28 DECEMBER 2011 (28.12.2011)**

Name and mailing address of the ISA/KR

Korean Intellectual Property Office  
Government Complex-Daejeon, 189 Cheongsu-ro,  
Seo-gu, Daejeon 302-701, Republic of Korea

Facsimile No. 82-42-472-7140

Authorized officer

YOO, Byung Chul

Telephone No. 82-42-481-8594



**INTERNATIONAL SEARCH REPORT**

Information on patent family members

International application No.

**PCT/KR2011/003183**

Patent document cited in search report	Publication date	Patent family member(s)	Publication date
KR 10-2009-0083834 A	04.08.2009	US 2010-0310000 A1 WO 2009-096708 A1	09.12.2010 06.08.2009
KR 10-2009-0016386 A	13.02.2009	CA 2689410 A1 CN 101689904 A CN 101821959 A EP 2137835 A1 EP 2186213 A2 JP 2010-530668 A JP 2010-534442 A KR 10-2008-0114518 A KR 10-2008-0114519 A KR 10-2009-0016374 A TW 200910807 A TW 200922178 A US 2009-0052405 A1 US 2009-0059844 A1 US 2010-0183086 A1 US 2011-0255629 A1 US 8000258 B2 WO 2009-002087 A1 WO 2009-002097 A1 WO 2009-022820 A2 WO 2009-022820 A3	31.12.2008 31.03.2010 01.09.2010 30.12.2009 19.05.2010 09.09.2010 04.11.2010 31.12.2008 31.12.2008 13.02.2009 01.03.2009 16.05.2009 26.02.2009 05.03.2009 22.07.2010 20.10.2011 16.08.2011 31.12.2008 31.12.2008 19.02.2009 19.02.2009
KR 10-2009-0016374 A	13.02.2009	CA 2689410 A1 CN 101689904 A CN 101821959 A EP 2137835 A1 EP 2186213 A2 JP 2010-530668 A JP 2010-534442 A KR 10-2008-0114518 A KR 10-2008-0114519 A KR 10-2009-0016386 A TW 200910807 A TW 200922178 A US 2009-0052405 A1 US 2009-0059844 A1 US 2010-0183086 A1 US 2011-0255629 A1 US 8000258 B2 WO 2009-002087 A1 WO 2009-002097 A1 WO 2009-022820 A2 WO 2009-022820 A3	31.12.2008 31.03.2010 01.09.2010 30.12.2009 19.05.2010 09.09.2010 04.11.2010 31.12.2008 31.12.2008 13.02.2009 01.03.2009 16.05.2009 26.02.2009 05.03.2009 22.07.2010 20.10.2011 16.08.2011 31.12.2008 31.12.2008 19.02.2009 19.02.2009
KR 10-2010-0005649 A	15.01.2010	CN 102047579 A EP 2260582 A1	04.05.2011 15.12.2010

**INTERNATIONAL SEARCH REPORT**

Information on patent family members

International application No.

**PCT/KR2011/003183**

Patent document cited in search report	Publication date	Patent family member(s)	Publication date
		JP 2011-520338 A	14.07.2011
		KR 10-2010-0005650 A	15.01.2010
		US 2010-0002607 A1	07.01.2010
		WO 2010-005162 A1	14.01.2010