



US00D370347S

# United States Patent [19]

[11] Patent Number: **Des. 370,347**

Heinzelman et al.

[45] Date of Patent: **\*\*Jun. 4, 1996**

[54] TOOTHBRUSH HEAD

4,010,509	3/1977	Huish .....	15/167.1
4,776,054	10/1988	Rauch .....	15/167.1
5,046,213	9/1991	Curtis et al. ....	15/167.1

[75] Inventors: **Bert D. Heinzelman**, Tenafly, N.J.;  
**Donald R. Lamond**, Long Beach; **John Moldauer**, Brooklyn, both of N.Y.

*Primary Examiner*—A. Hugo Word  
*Assistant Examiner*—Lavone Tabor  
*Attorney, Agent, or Firm*—Milton L. Honig

[73] Assignee: **Chesebrough-Pond's USA Co.**,  
**Division of Conopco, Inc.**, Greenwich,  
Conn.

[57] **CLAIM**

[\*\*] Term: **14 Years**

The ornamental design for a toothbrush head, as shown and described.

[21] Appl. No.: **25,657**

### DESCRIPTION

[22] Filed: **Jul. 7, 1994**

[52] U.S. Cl. .... **D4/104**

[58] Field of Search ..... D4/101, 104-112,  
D4/130, 134, 136; 15/159.1, 160, 167.1,  
167.2, 186-187, DIG. 5, DIG. 6

FIG. 1 is a perspective view of a toothbrush head showing our new design;  
FIG. 2 is a right side elevational view thereof;  
FIG. 3 is a top plan view thereof;  
FIG. 4 is a bottom plan view thereof;  
FIG. 5 is an end elevational view as seen from the left side of FIG. 3; and,  
FIG. 6 is an end elevational view as seen from the right of FIG. 3.

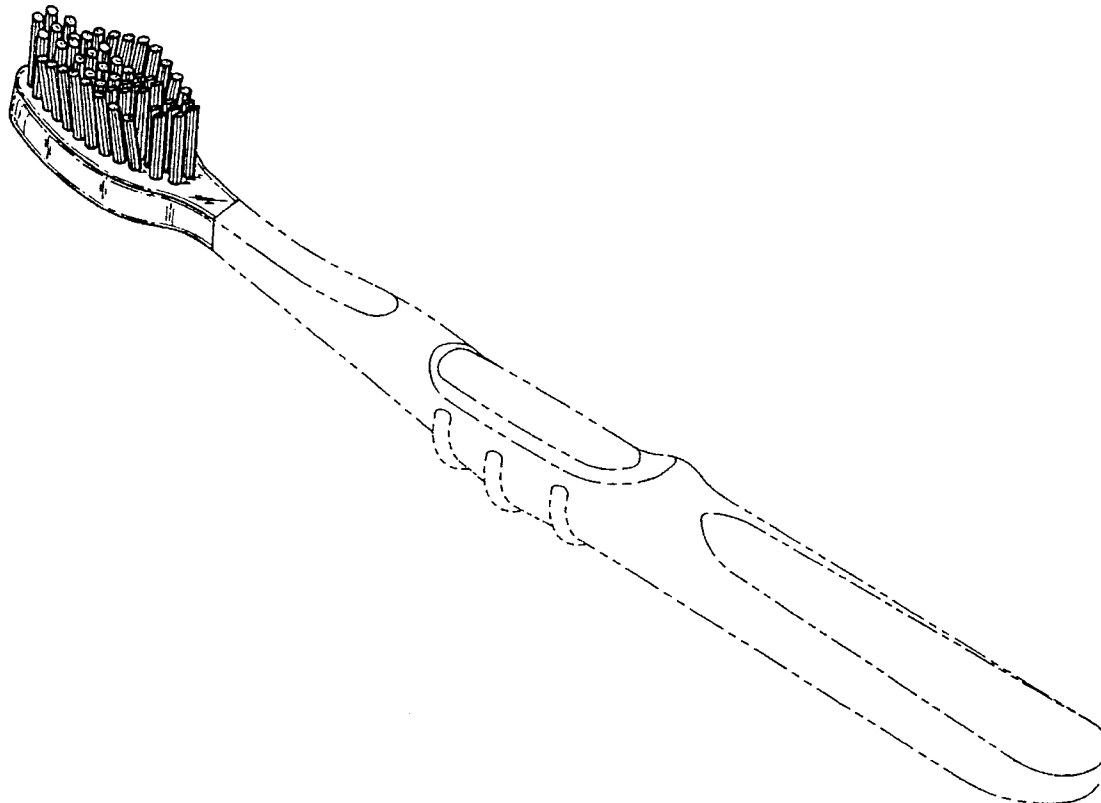
[56] **References Cited**

#### U.S. PATENT DOCUMENTS

1,901,646	3/1933	Hicks .....	15/167.1
2,043,898	6/1936	Malcolm .....	15/167.1
3,722,020	3/1973	Hills .....	15/167.1
3,792,504	2/1974	Smith .....	15/167.1

The structure shown in phantom or broken lines in the Figures forms no part of the claimed design and is present only to illustrate the environment.

**1 Claim, 3 Drawing Sheets**



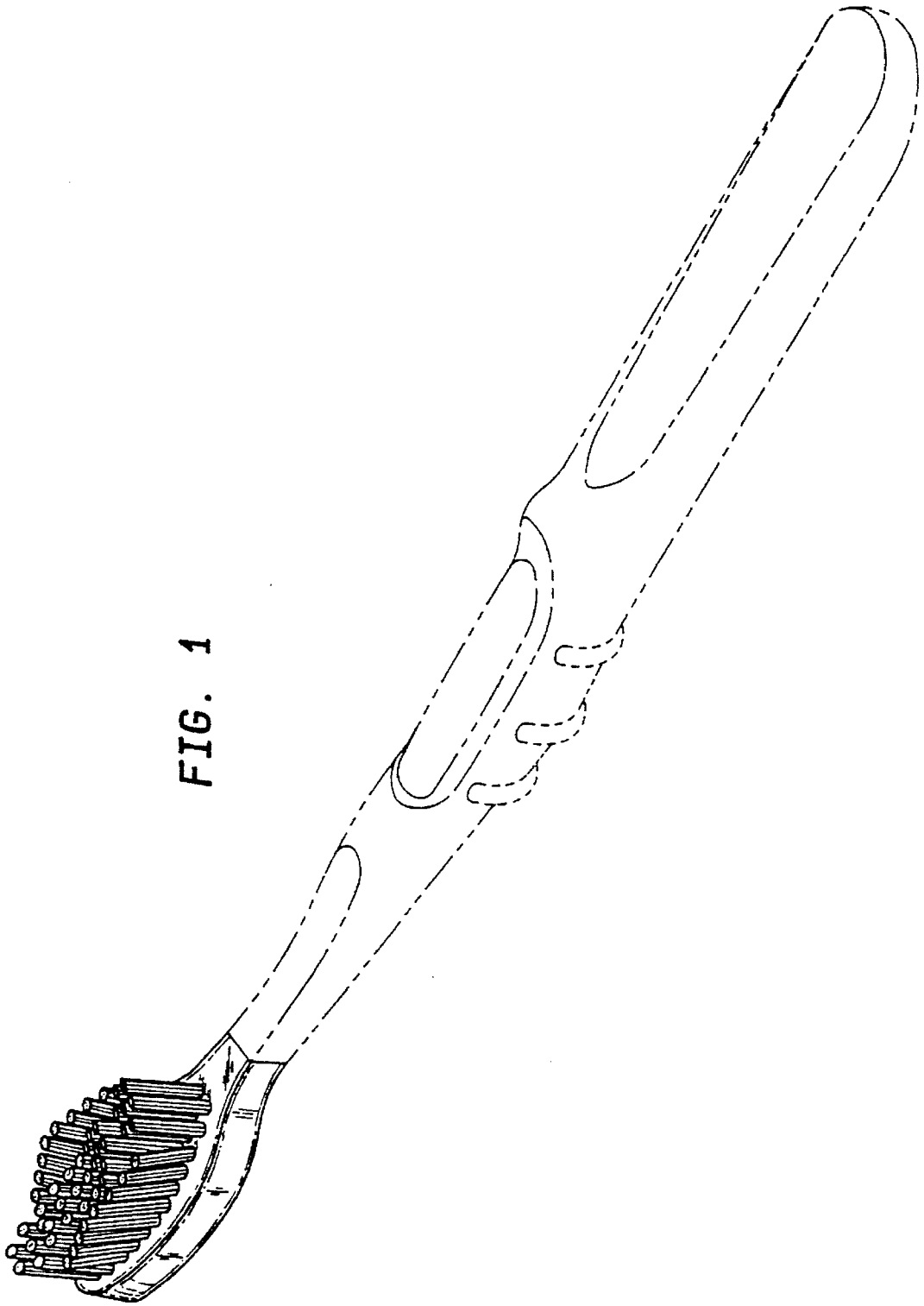


FIG. 1

FIG. 2

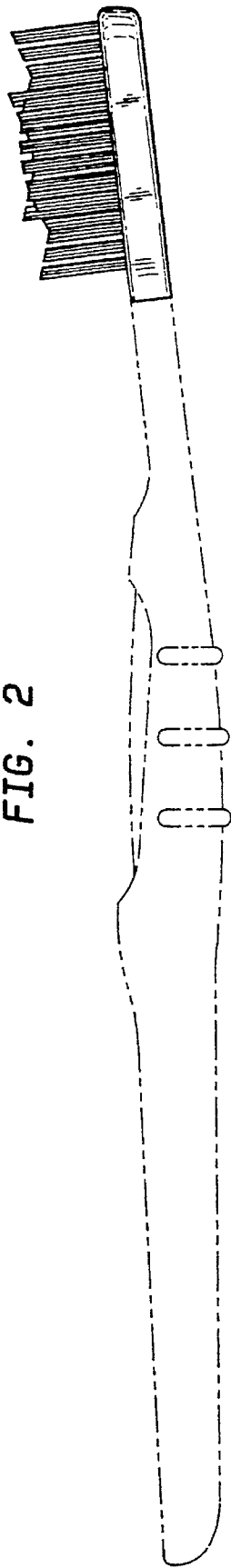


FIG. 3

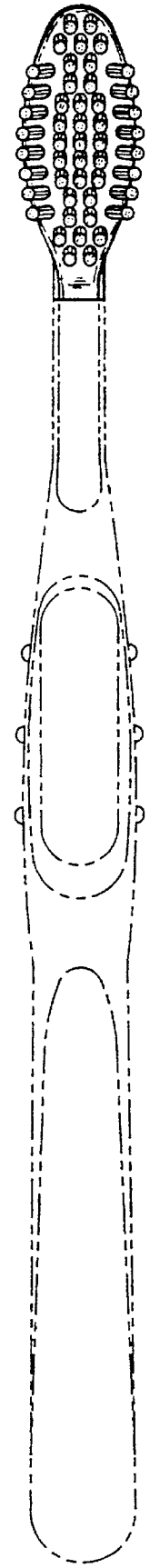


FIG. 4

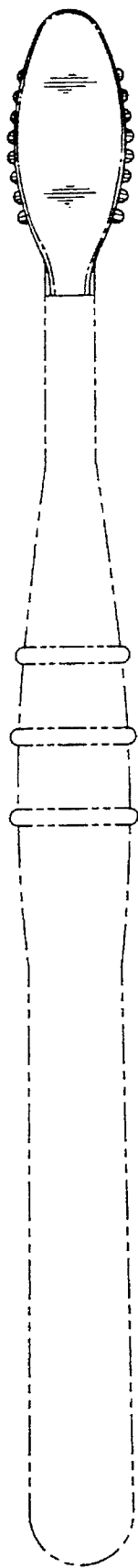


FIG. 5

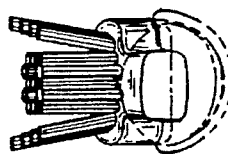


FIG. 6

