

(19) World Intellectual Property Organization
International Bureau



(43) International Publication Date
30 September 2010 (30.09.2010)

(10) International Publication Number
WO 2010/111593 A3

- (51) International Patent Classification:
F16B 19/10 (2006.01) *F16B 35/06* (2006.01)
F16B 5/04 (2006.01) *F16B 23/00* (2006.01)
F16B 5/02 (2006.01)
- (21) International Application Number:
PCT/US2010/028832
- (22) International Filing Date:
26 March 2010 (26.03.2010)
- (25) Filing Language: English
- (26) Publication Language: English
- (30) Priority Data:
61/164,141 27 March 2009 (27.03.2009) US
- (71) Applicant (for all designated States except US): **MONOGRAM AEROSPACE FASTENERS, INC.** [US/US];
3423 South Garfield Avenue, Los Angeles, CA 90022 (US).
- (72) Inventor; and
- (75) Inventor/Applicant (for US only): **PRATT, John, D.** [US/US]; 44 Argos, Laguna Niguel, CA 92677 (US).

- (74) Agents: **BLAUFUSS, James, R.** et al.; Woodard, Emhardt, Moriarty, Mcnett & Henry LLP, 111 Monument Circle, Suite 3700, Indianapolis, IN 46204 (US).
- (81) Designated States (unless otherwise indicated, for every kind of national protection available): AE, AG, AL, AM, AO, AT, AU, AZ, BA, BB, BG, BH, BR, BW, BY, BZ, CA, CH, CL, CN, CO, CR, CU, CZ, DE, DK, DM, DO, DZ, EC, EE, EG, ES, FI, GB, GD, GE, GH, GM, GT, HN, HR, HU, ID, IL, IN, IS, JP, KE, KG, KM, KN, KP, KR, KZ, LA, LC, LK, LR, LS, LT, LU, LY, MA, MD, ME, MG, MK, MN, MW, MX, MY, MZ, NA, NG, NI, NO, NZ, OM, PE, PG, PH, PL, PT, RO, RS, RU, SC, SD, SE, SG, SK, SL, SM, ST, SV, SY, TH, TJ, TM, TN, TR, TT, TZ, UA, UG, US, UZ, VC, VN, ZA, ZM, ZW.
- (84) Designated States (unless otherwise indicated, for every kind of regional protection available): ARIPO (BW, GH, GM, KE, LR, LS, MW, MZ, NA, SD, SL, SZ, TZ, UG, ZM, ZW), Eurasian (AM, AZ, BY, KG, KZ, MD, RU, TJ, TM), European (AT, BE, BG, CH, CY, CZ, DE, DK, EE, ES, FI, FR, GB, GR, HR, HU, IE, IS, IT, LT, LU, LV, MC, MK, MT, NL, NO, PL, PT, RO, SE, SI, SK, SM, TR), OAPI (BF, BJ, CF, CG, CI, CM, GA, GN, GQ, GW, ML, MR, NE, SN, TD, TG).

[Continued on next page]

(54) Title: BLIND BOLT FASTENER

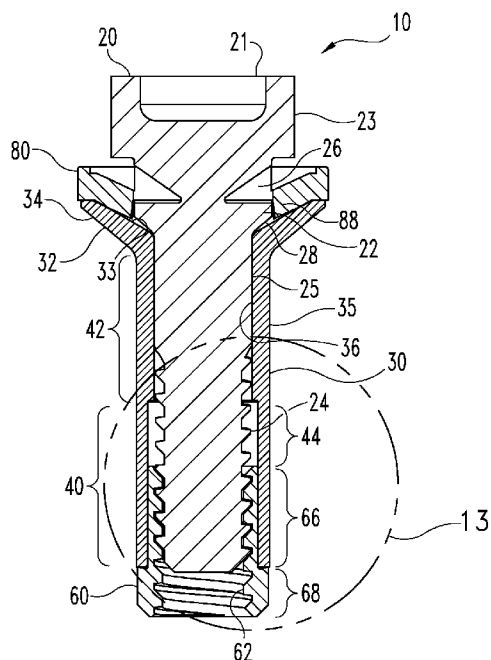


Fig. 12

(57) Abstract: Disclosed is a blind bolt fastener that includes a threaded nut and bolt combination that passes through a deformable sleeve that has a shoulder, a deformable portion and a non-deformable portion. Upon tightening of the threaded bolt and nut combination, the deformable portion is compressed so that it bulbs to form a bulbed head. The shoulder on the sleeve blocks further compression of the deformable portion once the bulbed head is substantially completely formed.

WO 2010/111593 A3

Published:

— *with international search report (Art. 21(3))*

(88) Date of publication of the international search report:

13 January 2011

A. CLASSIFICATION OF SUBJECT MATTER*F16B 19/10(2006.01)i, F16B 5/04(2006.01)i, F16B 5/02(2006.01)i, F16B 35/06(2006.01)i, F16B 23/00(2006.01)i*

According to International Patent Classification (IPC) or to both national classification and IPC

B. FIELDS SEARCHED

Minimum documentation searched (classification system followed by classification symbols)

F16B 19/10; F16B 13/06; F16B 13/04

Documentation searched other than minimum documentation to the extent that such documents are included in the fields searched

Korean utility models and applications for utility models

Japanese utility models and applications for utility models

Electronic data base consulted during the international search (name of data base and, where practicable, search terms used)

eKOMPASS(KIPO internal) & Keywords:blind, fastener, nut, deform, sleeve

C. DOCUMENTS CONSIDERED TO BE RELEVANT

Category*	Citation of document, with indication, where appropriate, of the relevant passages	Relevant to claim No.
X	US 2004-0033119 A1 (HUFNAGL;GERHART et al.) 19 February 2004 See paragraph 14 - paragraph 18; claim 1 and figures 1-4.	1,2
A	US 2007-0243035 A1 (PRATT;JOHN D.) 18 October 2007 See paragraph 15; claim 1 and figures 3-4.	1-4, 11-14, 18, 21
A	US 2004-0022596 A1 (BELANGER;JOSEPH, D.) 05 February 2004 See paragraph 9 - paragraph 12; claim 1 and figures 1-4.	1-4, 11-14, 18, 21

 Further documents are listed in the continuation of Box C. See patent family annex.

* Special categories of cited documents:

"A" document defining the general state of the art which is not considered to be of particular relevance

"E" earlier application or patent but published on or after the international filing date

"L" document which may throw doubts on priority claim(s) or which is cited to establish the publication date of citation or other special reason (as specified)

"O" document referring to an oral disclosure, use, exhibition or other means

"P" document published prior to the international filing date but later than the priority date claimed

"T" later document published after the international filing date or priority date and not in conflict with the application but cited to understand the principle or theory underlying the invention

"X" document of particular relevance; the claimed invention cannot be considered novel or cannot be considered to involve an inventive step when the document is taken alone

"Y" document of particular relevance; the claimed invention cannot be considered to involve an inventive step when the document is combined with one or more other such documents, such combination being obvious to a person skilled in the art

"&" document member of the same patent family

Date of the actual completion of the international search

21 OCTOBER 2010 (21.10.2010)

Date of mailing of the international search report

22 OCTOBER 2010 (22.10.2010)

Name and mailing address of the ISA/KR

Korean Intellectual Property Office
Government Complex-Daejeon, 139 Seonsa-ro, Seo-gu,
Daejeon 302-701, Republic of Korea

Facsimile No. 82-42-472-7140

Authorized officer

SONG, Jay Wook

Telephone No. 82-42-481-5504



INTERNATIONAL SEARCH REPORT

Information on patent family members

International application No.

PCT/US2010/028832

Patent document cited in search report	Publication date	Patent family member(s)	Publication date
US 2004-0033119 A1	19.02.2004	AT 362591 T AU 2003-241568 A1 DE 60313869 D1 DE 60313869 T2 EP 1529170 A1 EP 1529170 B1 US 7033120 B2 WO 2004-015283 A1	15.06.2007 25.02.2004 28.06.2007 14.02.2008 11.05.2005 16.05.2007 25.04.2006 19.02.2004
US 2007-0243035 A1	18.10.2007	None	
US 2004-0022596 A1	05.02.2004	None	