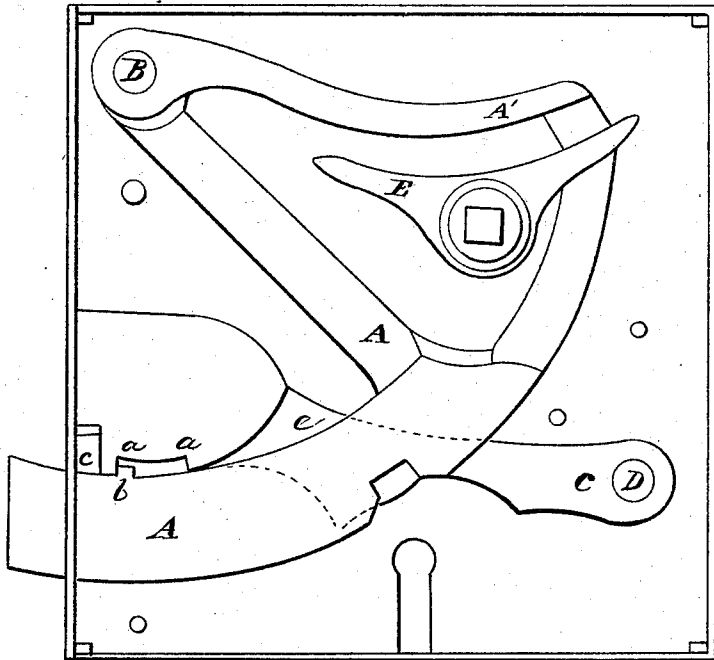


G. E. Sellers,

Latch.

N^o 2,621.

Patented May 12, 1842.



UNITED STATES PATENT OFFICE.

GEO. E. SELLERS, OF CINCINNATI, OHIO, ASSIGNOR TO MILES GREENWOOD.

GRAVITATING COMBINED LATCH AND LOCK FOR DOORS.

Specification of Letters Patent No. 2,621, dated May 12, 1842.

To all whom it may concern:

Be it known that I, GEORGE ESCOL SELLERS, of the city of Cincinnati, in the county of Hamilton and State of Ohio, have invented an Improved Manner of Constructing Quadrant Bolts, Combined Locks and Latches for Doors; and I do hereby declare that the following is a full and exact description thereof.

10 In the accompanying drawing, the interior arrangement of the respective parts of my combined lock and latch is exhibited, the back plate, or cover, having been removed for the purpose of showing them.

15 A, A, A, is the quadrant bolt, which is in one piece of cast-iron and turns upon a pin at B, which is cast with the box of the lock.

20 C, is a weighted tumbler, which turns upon a pin at D. Its fore end C', which constitutes its principal weighted portion, is double the thickness of the part C, C, which passes under the bolt, as shown by the dotted lines, the bolt being also halved, or cut away on its lower side, to allow the tumbler to play under it. Upon the weighted part C' of the tumbler there is a gain, or notch *a, a*, within which the projecting piece *b* on the bolt is received, and has sufficient play to allow it to be turned back by the knobbed handle, when used as a latch only.

30 E, is the turnbuckle, or cam, by which the latch bolt is to be forced back. This cam, as shown in the drawing, is not in contact with the tail part A' of the bolt, upon which it is to operate, there being a space left between the two to allow the latch bolt to operate as a lock bolt.

When it is intended thus to operate, the tumbler C is lifted by a key in the ordinary

manner, and the projecting piece *b* on the bolt will be moved forward as the locking proceeds, until it is under the notch, or gain, *e*, in the tumbler; which will then descend upon it, and will hold the bolt so that it cannot be turned back by the knobbed handle; the tail piece A', of the quadrant bolt will then have descended so as to be in contact with the turnbuckle, or cam, E. When unlocked, by turning the key in the reversed direction, the projecting piece *b* will be brought back so as again to occupy the gain or notch, *a, a*, and to play within it as a latch bolt, the tail piece A' of the quadrant bolt resuming its place at a distance from the turnbuckle E.

55 Having thus fully described the manner in which I construct my combined quadrant latch and lock, I do hereby declare that I do not claim to be the first to have substituted a gravitating weight for the springs usually employed for forcing the latch bolt forward, this being a device well known; but—

60 What I do claim as constituting my invention is—

65 The particular manner in which I have arranged and combined the quadrant bolt, the tumbler, and the turnbuckle, or cam, so as by said arrangement and combination to cause the quadrant bolt to be acted upon by the key, by the turnbuckle, and the tumbler, substantially as herein set forth, and made known.

GEO. ESCOL SELLERS.

Witnesses:

THOS. P. JONES,
E. L. BRUNDAGE.