

(12) INTERNATIONAL APPLICATION PUBLISHED UNDER THE PATENT COOPERATION TREATY (PCT)

(19) World Intellectual Property Organization
International Bureau



(43) International Publication Date
6 March 2003 (06.03.2003)

PCT

(10) International Publication Number
WO 03/018930 A3

(51) International Patent Classification⁷: **E04B 1/70**

(21) International Application Number: PCT/US02/24580

(22) International Filing Date: 1 August 2002 (01.08.2002)

(25) Filing Language: English

(26) Publication Language: English

(30) Priority Data:
09/934,240 21 August 2001 (21.08.2001) US

(71) Applicant: **BENJAMIN OBDYKE INCORPORATED**
[US/US]; 199 Percision Drive, Horsham, PA 19044 (US).

(72) Inventor: **COULTON, Michael, S.**; 102 Green Spring
Circle, Lansdale, PA 19446 (US).

(74) Agents: **BAK, William** et al.; Howson and Howson,
Spring House Corporate Center, P.O. Box 457, Spring
House, PA 19477 (US).

(81) Designated States (*national*): AE, AG, AL, AM, AT, AU,
AZ, BA, BB, BG, BR, BY, BZ, CH, CN, CO, CR, CU, CZ,

DE, DK, DM, DZ, EC, EE, ES, FI, GB, GD, GE, GH, GM,
HR, HU, ID, IL, IN, IS, JP, KE, KG, KP, KR, KZ, LC, LK,
LR, LS, LT, LU, LV, MA, MD, MG, MK, MN, MW, MX,
MZ, NO, NZ, OM, PH, PL, PT, RO, RU, SD, SE, SG, SI,
SK, SL, TJ, TM, TN, TR, TT, TZ, UA, UG, UZ, VN, YU,
ZA, ZM, ZW.

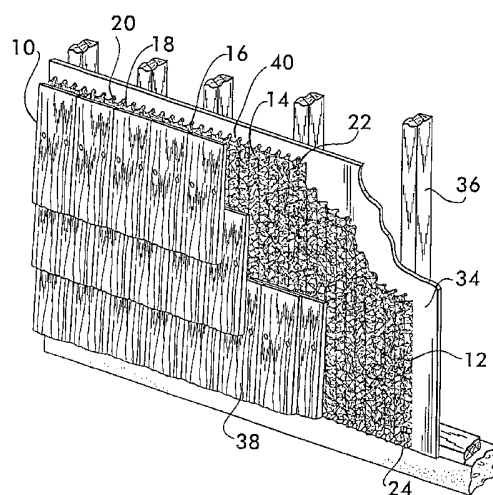
(84) Designated States (*regional*): ARIPO patent (GH, GM,
KE, LS, MW, MZ, SD, SL, SZ, TZ, UG, ZM, ZW),
Eurasian patent (AM, AZ, BY, KG, KZ, MD, RU, TJ, TM),
European patent (AT, BE, BG, CH, CY, CZ, DE, DK, EE,
ES, FI, FR, GB, GR, IE, IT, LU, MC, NL, PT, SE, SK,
TR), OAPI patent (BF, BJ, CF, CG, CI, CM, GA, GN, GQ,
GW, ML, MR, NE, SN, TD, TG).

Published:
— with international search report

(88) Date of publication of the international search report:
6 November 2003

For two-letter codes and other abbreviations, refer to the "Guidance Notes on Codes and Abbreviations" appearing at the beginning of each regular issue of the PCT Gazette.

(54) Title: SPACER FOR PROVIDING DRAINAGE PASSAGEWAYS WITHIN BUILDING STRUCTURES



(57) Abstract: A roll-form spacer product (12) providing air space and drainage passageways within a building structure. Preferably, the spacer product (12) is a corrugated web of material having undulating front and rear faces (14, 16) and serpentine-shaped longitudinally extending edges (22, 24). The faces (14, 16) include alternating arrays of grooves (20, 28) and ridges (18, 26) which extend perpendicular to the side edges (22, 26) and parallel to an axis (A) of a spiral roll of the spacer (12). Thus, when the spacer (12) is unrolled and applied to a building structure in a plurality of horizontally extending rows, the ridges (18, 26) and grooves (20, 28) are substantially vertically-disposed to form a plurality of unobstructed passageways for the drainage of moisture. Preferably, the web (12) is made of an openwork mat of randomly convoluted polymeric filaments, and thus, enables ready circulation of air.

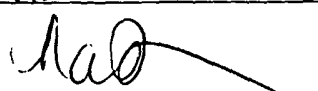


WO 03/018930 A3

INTERNATIONAL SEARCH REPORT

International application No.

PCT/US02/24580

A. CLASSIFICATION OF SUBJECT MATTER		
IPC(7) : E04B 1/70 US CL : 52/302.3, 169.14, 741.3		
According to International Patent Classification (IPC) or to both national classification and IPC		
B. FIELDS SEARCHED		
Minimum documentation searched (classification system followed by classification symbols) U.S. : 52/302.3, 169.14, 741.3, 302.1, 748.11		
Documentation searched other than minimum documentation to the extent that such documents are included in the fields searched NONE		
Electronic data base consulted during the international search (name of data base and, where practicable, search terms used) NONE		
C. DOCUMENTS CONSIDERED TO BE RELEVANT		
Category *	Citation of document, with indication, where appropriate, of the relevant passages	Relevant to claim No.
X,P	US 6,355,333 B1 (WAGGONER ET AL.) 12 MARCH 2002 (12.03.2002), SEE ENTIRE DOCUMENT, ESPECIALLY FIGURE 5 AND COL. 6, LINES 42-59.	1-2,7-11,16-17,19-21,23-24,30-32,36,38-40
X --- Y	US 5,826,390 A (SACKS) 27 OCTOBER 1998 (27.10.1998), SEE ENTIRE DOCUMENT, ESPECIALLY FIGURES 5, 6, AND 10.	16-17, 20, 23-25 ----- 1-19, 21-40
Y	US 6,131,353 A (EGAN) 17 OCTOBER 2000 (17.10.2000), SEE ENTIRE DOCUMENT, ESPECIALLY COL. 7, LINE 63 TO COL. 8, LINE 18.	1-19, 21-40
<input type="checkbox"/> Further documents are listed in the continuation of Box C. <input type="checkbox"/> See patent family annex.		
* Special categories of cited documents:		
"A"	document defining the general state of the art which is not considered to be of particular relevance	"T" later document published after the international filing date or priority date and not in conflict with the application but cited to understand the principle or theory underlying the invention
"E"	earlier application or patent published on or after the international filing date	"X" document of particular relevance; the claimed invention cannot be considered novel or cannot be considered to involve an inventive step when the document is taken alone
"L"	document which may throw doubts on priority claim(s) or which is cited to establish the publication date of another citation or other special reason (as specified)	"Y" document of particular relevance; the claimed invention cannot be considered to involve an inventive step when the document is combined with one or more other such documents, such combination being obvious to a person skilled in the art
"O"	document referring to an oral disclosure, use, exhibition or other means	"&" document member of the same patent family
"P"	document published prior to the international filing date but later than the priority date claimed	
Date of the actual completion of the international search		Date of mailing of the international search report
15 October 2002 (15.10.2002)		30 APR 2003
Name and mailing address of the ISA/US Commissioner of Patents and Trademarks Box PCT Washington, D.C. 20231 Facsimile No. (703)305-3230		Authorized officer Laura A. Callo  Telephone No. (703) 308-2168