



US00D640360S

(12) **United States Design Patent**  
**Boshuizen et al.**

(10) **Patent No.:** **US D640,360 S**

(45) **Date of Patent:** **\*\* Jun. 21, 2011**

(54) **AIR FRESHENER**

D607,985 S \* 1/2010 Roller ..... D23/366  
D627,453 S \* 11/2010 Ko et al. .... D23/366  
D633,192 S \* 2/2011 Valentino et al. .... D23/366

(75) Inventors: **Sylvia Boshuizen**, Leiden (NL); **Donald C. Presnell**, Stephens City, VA (US)

\* cited by examiner

(73) Assignee: **Rubbermaid Commercial Products LLC**, Winchester, VA (US)

*Primary Examiner* — Sandra Snapp

(74) *Attorney, Agent, or Firm* — Dennis J. Williamson; Moore & Van Allen, PLLC

(\*\*) Term: **14 Years**

(57) **CLAIM**

(21) Appl. No.: **29/378,552**

We claim the ornamental design for an air freshener, as shown and described.

(22) Filed: **Nov. 5, 2010**

**DESCRIPTION**

(51) **LOC (9) Cl.** ..... **28-99**

(52) **U.S. Cl.** ..... **D23/366**

(58) **Field of Classification Search** ..... D23/355-369;  
D28/5, 6; 261/DIG. 17, DIG. 42, DIG. 65,  
261/DIG. 88, DIG. 89; 392/386, 390-395;  
239/34, 35, 44-47, 50, 53, 56, 60, 145, 326

See application file for complete search history.

FIG. 1 is a front view showing our new design for an air freshener;

FIG. 2 is a right side view showing our new design shown in FIG. 1;

FIG. 3 is a left side view showing our new design shown in FIG. 1;

FIG. 4 is a top view showing our new design shown in FIG. 1;

FIG. 5 is a bottom view showing our new design shown in FIG. 1;

FIG. 6 is a back view showing our new design shown in FIG. 1; and,

FIG. 7 is a perspective view showing our new design shown in FIG. 1.

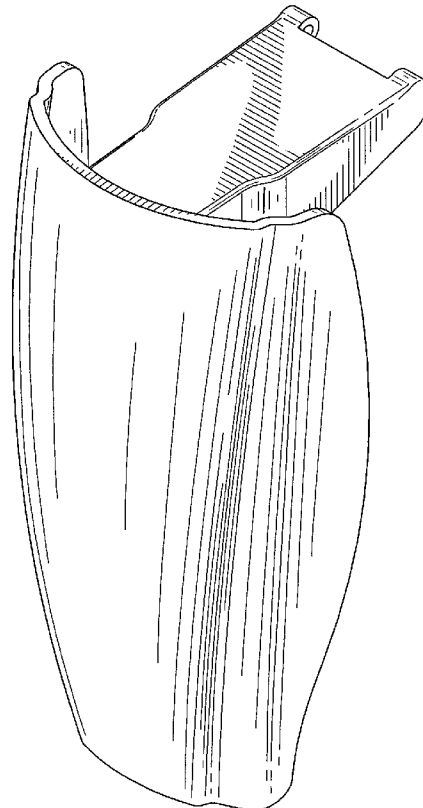
The purpose of broken lines in the drawing is to show environmental structure that forms no part of the patented design.

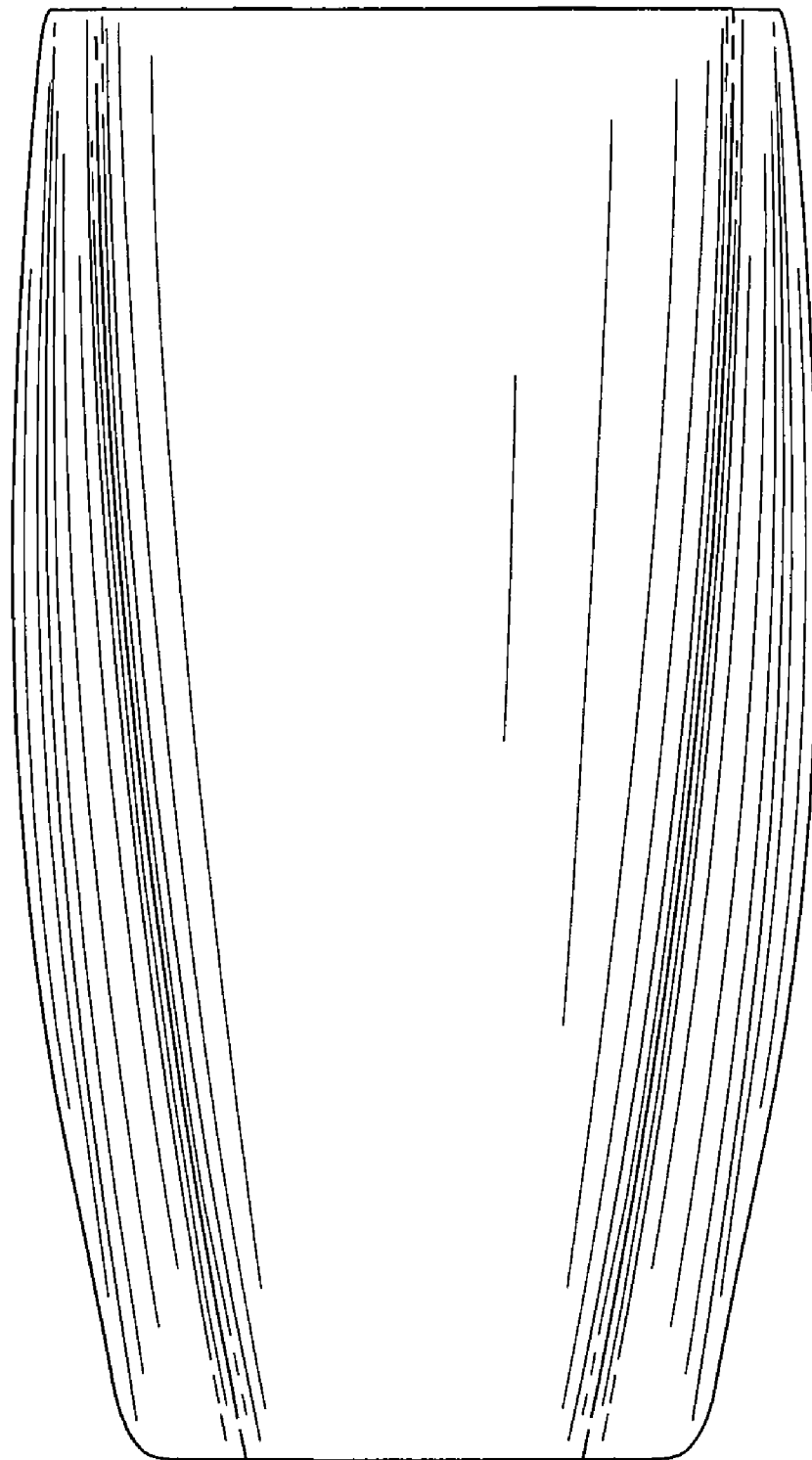
(56) **References Cited**

U.S. PATENT DOCUMENTS

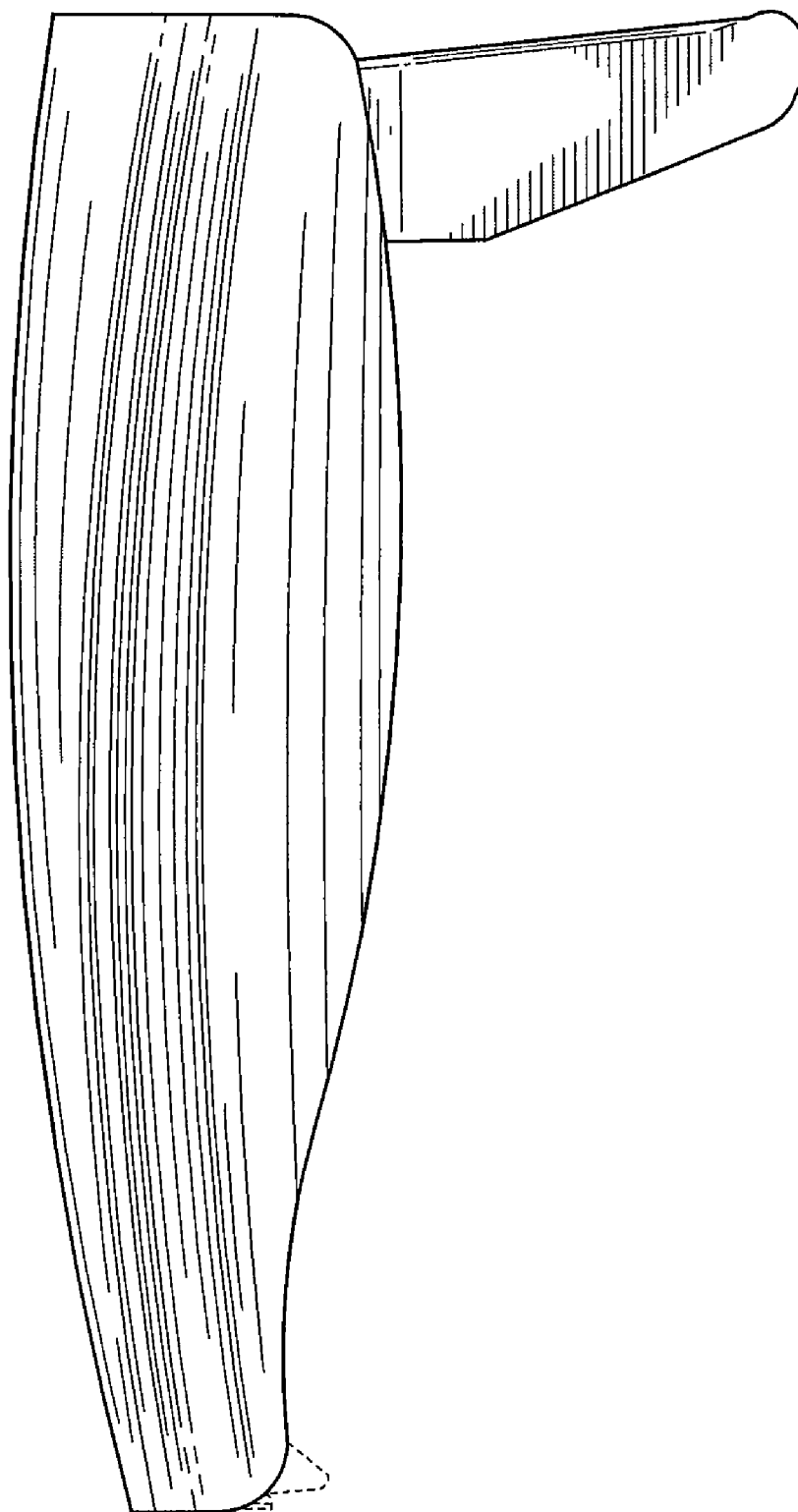
D425,190	S	*	5/2000	Morikawa	.....	D23/366
D493,876	S	*	8/2004	Wirthman et al.	.....	D23/366
D493,877	S	*	8/2004	Wirthman et al.	.....	D23/366
D495,046	S	*	8/2004	Wirthman et al.	.....	D23/366
D497,422	S	*	10/2004	Wirthman et al.	.....	D23/366
D501,545	S	*	2/2005	Wirthman et al.	.....	D23/366
D537,929	S	*	3/2007	Muderlak et al.	.....	D23/366
D607,553	S	*	1/2010	Roller	.....	D23/366

**1 Claim, 6 Drawing Sheets**





**FIG. 1**



**FIG. 2**



**FIG. 3**

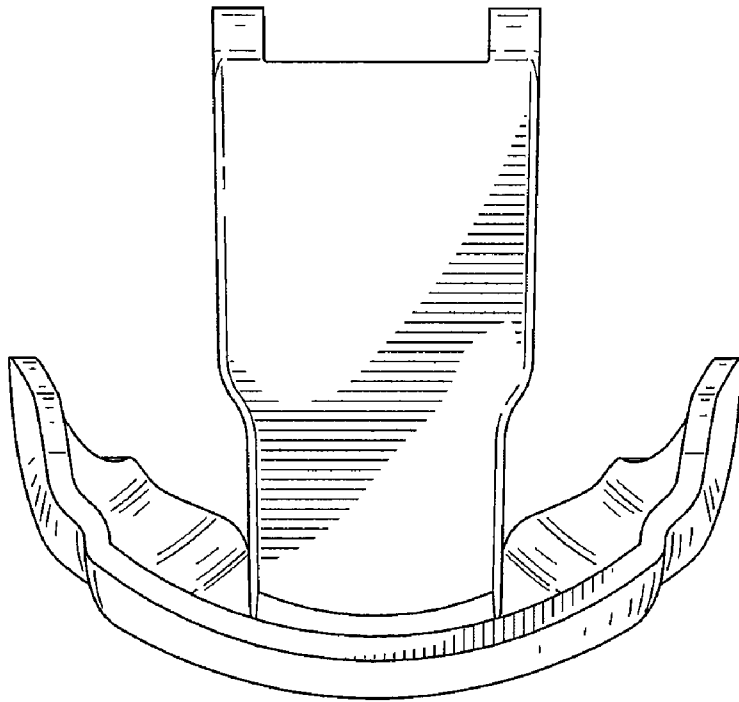


FIG. 4

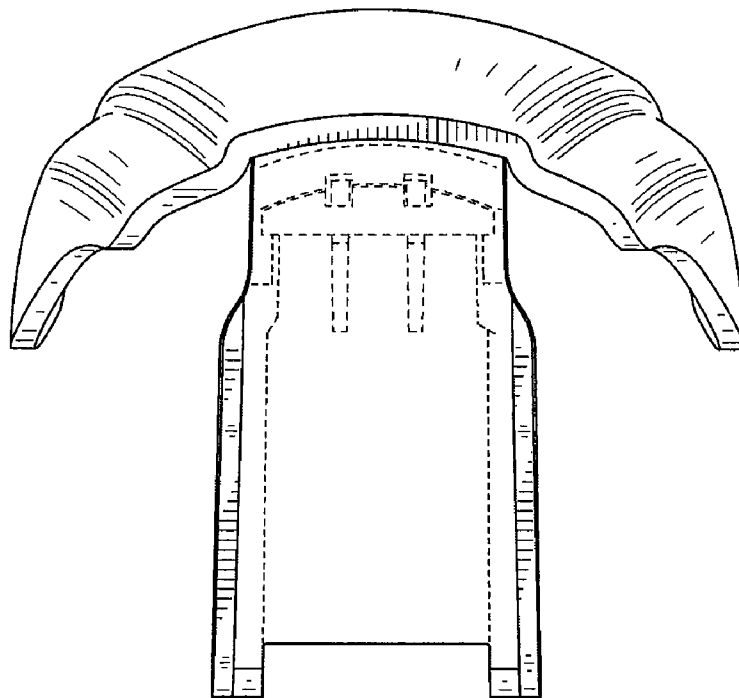


FIG. 5

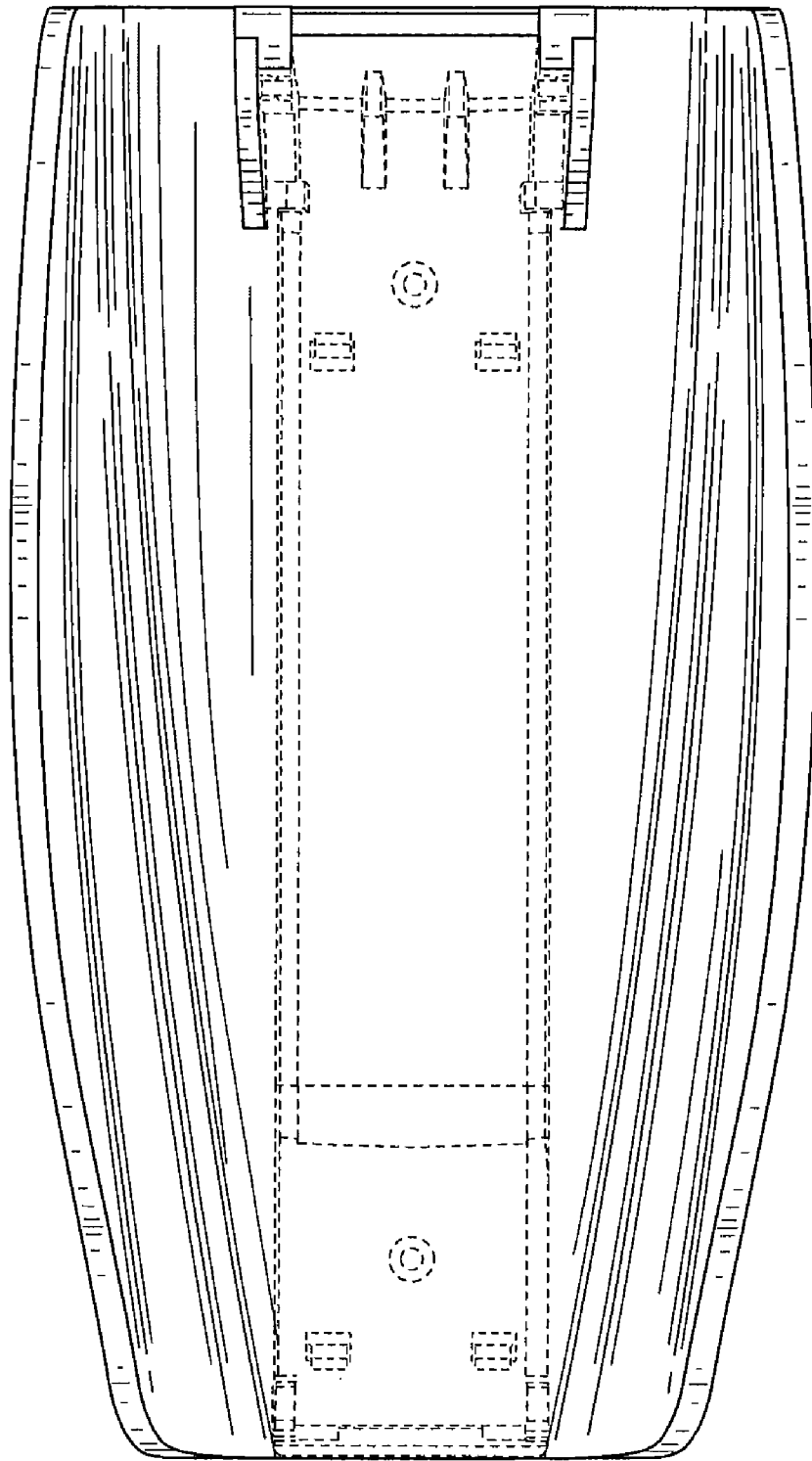


FIG. 6



**FIG. 7**