

(19) World Intellectual Property Organization
International Bureau



(43) International Publication Date
8 January 2009 (08.01.2009)

PCT

(10) International Publication Number
WO 2009/003592 A4

- (51) International Patent Classification:
F24C 15/04 (2006.01)
- (21) International Application Number:
PCT/EP2008/004945
- (22) International Filing Date: 19 June 2008 (19.06.2008)
- (25) Filing Language: English
- (26) Publication Language: English
- (30) Priority Data:
07012905.1 2 July 2007 (02.07.2007) EP
- (71) Applicant (for all designated States except US): **ELECTROLUX HOME PRODUCTS CORPORATION N.V.** [BE/BE]; Belgicastraat 17, B-1930 Zaventem (BE).

AO, AT, AU, AZ, BA, BB, BG, BH, BR, BW, BY, BZ, CA, CH, CN, CO, CR, CU, CZ, DE, DK, DM, DO, DZ, EC, EE, EG, ES, FI, GB, GD, GE, GH, GM, GT, HN, HR, HU, ID, IL, IN, IS, JP, KE, KG, KM, KN, KP, KR, KZ, LA, LC, LK, LR, LS, LT, LU, LY, MA, MD, ME, MG, MK, MN, MW, MX, MY, MZ, NA, NG, NI, NO, NZ, OM, PG, PH, PL, PT, RO, RS, RU, SC, SD, SE, SG, SK, SL, SM, SV, SY, TJ, TM, TN, TR, TT, TZ, UA, UG, US, UZ, VC, VN, ZA, ZM, ZW.

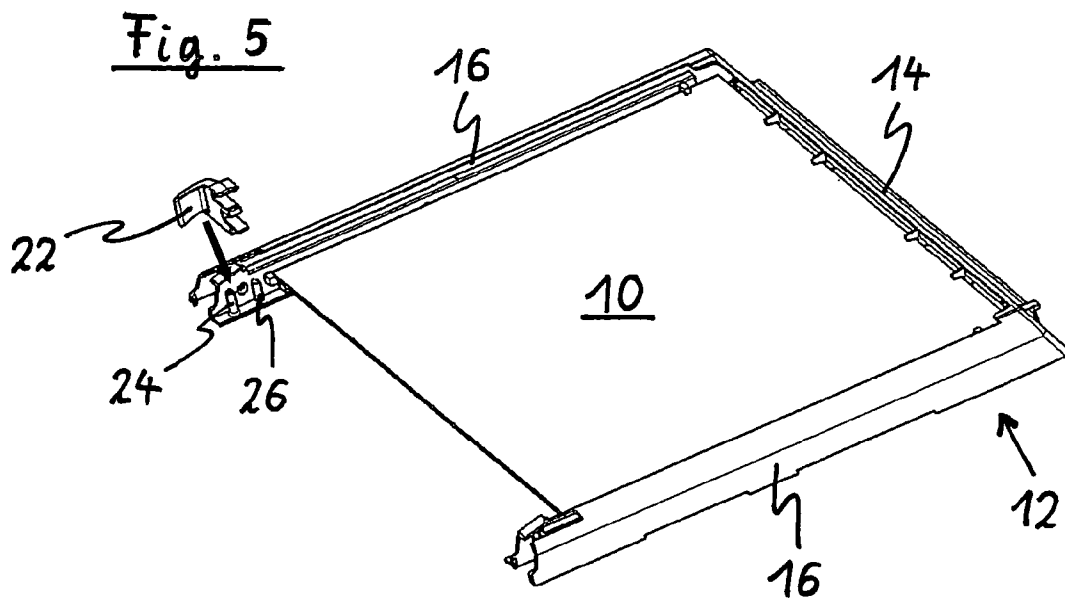
(84) Designated States (unless otherwise indicated, for every kind of regional protection available): ARIPO (BW, GH, GM, KE, LS, MW, MZ, NA, SD, SL, SZ, TZ, UG, ZM, ZW), Eurasian (AM, AZ, BY, KG, KZ, MD, RU, TJ, TM), European (AT, BE, BG, CH, CY, CZ, DE, DK, EE, ES, FI, FR, GB, GR, HR, HU, IE, IS, IT, LT, LU, LV, MC, MT, NL, NO, PL, PT, RO, SE, SI, SK, TR), OAPI (BF, BJ, CF, CG, CI, CM, GA, GN, GQ, GW, ML, MR, NE, SN, TD, TG).

- (72) Inventor; and
- (75) Inventor/Applicant (for US only): **CAPACCI, Mirko** [IT/IT]; Via Gualchiera 9/B, I-47014 Meldola (IT).
- (74) Agent: **SCHRÖER, Gernot, H.**; Meissner, Bolte & Partner, Bankgasse 3, 90402 Nürnberg (DE).
- (81) Designated States (unless otherwise indicated, for every kind of national protection available): AE, AG, AL, AM,

Published:
 — with international search report
 — with amended claims

(88) Date of publication of the international search report: 19 March 2009
 Date of publication of the amended claims: 30 April 2009

(54) Title: A COOKING OVEN DOOR WITH A DOOR FRAME AND A DOOR PANEL



(57) Abstract: The present invention relates to a cooking oven door including at least one door frame and at least one door panel (10). The door frame includes a U-shaped part (12) with a centre portion (14) and two legs (16). The U-shaped part (12) is formed as a one-piece plastic part. The door panel (10) is inserted within the U-shaped part (12). The U-shaped part (12) encloses three circumferential sides of the door panel (10). The U-shaped part (12) comprises support elements (18) on its inner side in order to hold the door panel (10) in a predetermined position. At least one fixing element (22) is attached or attachable on at least one free end portion of the leg (16) in order to secure the door panel (10) within the U-shaped part (12).

WO 2009/003592 A4

AMENDED CLAIMS**received by the International Bureau on 19 February 2009 (19.02.09)**

1. A cooking oven door including at least one door frame and at least one door panel (10), wherein
 - 5 - the door frame includes a U-shaped part (12) with a centre portion (14) and two legs (16),
 - the U-shaped part (12) is formed as a one-piece plastic part,
 - the door panel (10) is inserted within the U-shaped part (12),
 - the U-shaped part (12) encloses three circumferential sides of the door panel (10),
10 - the U-shaped part (12) comprises support elements (18) on its inner side in order to hold the door panel (10) in a predetermined position, and
 - at least one fixing element (22) is attached or attachable on at least one free end portion of the leg (16) in order to secure the door panel (10) within the U-shaped part (12),
15 characterized in, that
 at least one pin element (24, 26) is arranged on the free end portion of the leg (16) and the fixing element (22) is attached or attachable on the pin element (24, 26).
20
2. The cooking oven door according to claim 1,
characterized in, that
the fixing element (22) is formed as a one-piece plastic part.
25
3. The cooking oven door according to claim 1 or 2,
characterized in, that
the fixing element (22) is detachably arranged at the free end portion of the leg (16) and/or that the fixing element (22) is directly attached or
30 attachable at the free end portion of the leg (16).
4. The cooking oven door according to any one of the preceding claims,
characterized in, that

the fixing element (22) comprises a blind hole (28), wherein preferably the blind hole (28) and the pin element (24) form a rotary union between the fixing element (22) and the free end portion of the leg (16).

- 5 5. The cooking oven door according to any one of the preceding claims, characterized in, that
the fixing element (22) comprises a handle bar (32).
6. The cooking oven door according to claims 4 and 5,
10 characterized in, that
the fixing element (22) is manually pivoting or pivotable with the handle bar (32).
7. The cooking oven door according to any one of the preceding claims,
15 characterized in, that
the fixing element (22) comprises a lock element (30), wherein preferably the lock element (30) and the pin element (26) form a snap-on connexion between the fixing element (22) and the free end portion of the leg (16).
- 20 8. The cooking oven door according to any one of the preceding claims, characterized in, that
the fixing element (22) comprises at least one gripping element (34), wherein preferably the door panel (10) is gripped between the U-shaped part (12) and the gripping element (34).
- 25 9. The cooking oven door according to any one of the preceding claims, characterized in, that
the door panel (10) is formed as a substantially rectangular sheet.
- 30

10. The cooking oven door according to any one of the preceding claims, characterized in, that
a further door panel is arranged on at least one large-area side of the U-shaped part (12).
- 5
11. The cooking oven door according to any one of the preceding claims, characterized in, that
the fixing element (22) is attached or attachable on each of the both legs (16) of the U-shaped part (12).
- 10
12. The cooking oven door according to any one of the preceding claims, characterized in, that
the door panel (10) is made of glass or of transparent plastics and/or that the U-shaped part (12) is made of a polymer material, preferably of one single polymer material, in particular a thermoplastic material
15 and/or that the fixing element (22) is made of a polymer material, preferably of one single polymer material and/or a thermoplastic material.
13. The cooking oven door according to any one of the preceding claims, characterized in, that
20 the U-shaped part (12) comprises at its inner side support elements (18) and/or spacing elements (20) provided for holding the door panel (10), wherein preferably the spacing elements (20) are provided for keeping a predetermined distance between at least two neighbouring
25 door panels (10).
14. The cooking oven door according to claim 13, characterized in, that
the support elements (18) and/or the spacing elements (20) are formed
30 as inward-looking appendices.

15. The cooking oven door according to any one of the preceding claims, characterized in, that
at least one door panel (10) comprises at least one shield grid in order to screen or protect from electromagnetic waves and/or that the oven
5 door is provided for a microwave oven.
16. The cooking oven door according to any one of the preceding claims, characterized in, that
the oven door is provided for a cooking oven for domestic use.

10