



US00D808217S

(12) **United States Design Patent**  
**Cates**

(10) **Patent No.:** **US D808,217 S**

(45) **Date of Patent:** **\*\* \*Jan. 23, 2018**

(54) **STEMWARE**

**DESCRIPTION**

- (71) Applicant: **RIVERHALL CAPITAL LLC**,  
Fernandina Beach, FL (US)
- (72) Inventor: **Christopher Upton Cates**, Amelia  
Island, FL (US)
- (73) Assignee: **RIVERHALL CAPITAL LLC**,  
Fernandina Beach, FL (US)
- (\* ) Notice: This patent is subject to a terminal dis-  
claimer.
- (\*\*) Term: **14 Years**
- (21) Appl. No.: **29/504,409**
- (22) Filed: **Oct. 6, 2014**
- (51) **LOC (11) Cl.** ..... **07-01**
- (52) **U.S. Cl.**  
USPC ..... **D7/507; D7/524; D7/528**
- (58) **Field of Classification Search**  
USPC ..... D7/524-528, 537, 507, 503, 522;  
215/382; 220/703, 704, 592.16, 592.17;  
229/128; 362/101

(Continued)

(56) **References Cited**

**U.S. PATENT DOCUMENTS**

- 1,221,641 A \* 4/1917 Williams ..... B65D 47/0814  
215/235
- 1,678,588 A \* 7/1928 De Gerson ..... B65D 1/0223  
215/372

(Continued)

*Primary Examiner* — Marianne Pandozzi  
*Assistant Examiner* — Jae Liang  
 (74) *Attorney, Agent, or Firm* — Barnes & Thornburg  
 LLP; Jason Bernstein

(57) **CLAIM**

The ornamental design for a stemware, as shown and described.

FIG. 1 is a top front perspective view of a first embodiment of a stemware showing my new design, in which the neck and bowl interior wall are shown in broken lines and a portion of the coupling shown in broken lines, both features forming a part of the design;  
 FIG. 2 is a bottom front perspective view thereof;  
 FIG. 3 is a front elevational view thereof;  
 FIG. 4 is a top view thereof;  
 FIG. 5 is a bottom view thereof;  
 FIG. 6 is a bottom front perspective view thereof showing the base and stem detached from the neck and bowl;  
 FIG. 7 is a top front perspective view of a second embodiment of a stemware, in which the neck and bowl interior wall are shown in broken lines and a portion of the coupling shown in broken lines, both features forming a part of the design;  
 FIG. 8 is a bottom front perspective view thereof;  
 FIG. 9 is a front elevational view thereof;  
 FIG. 10 is a top view thereof;  
 FIG. 11 is a bottom view thereof;  
 FIG. 12 is a bottom front perspective view thereof showing the base and stem detached from the neck and bowl;  
 FIG. 13 is a top front perspective view of a third embodiment of a stemware, in which the neck and bowl interior wall are shown in broken lines and a portion of the coupling shown in broken lines, both features forming a part of the design;  
 FIG. 14 is a bottom front perspective view thereof;  
 FIG. 15 is a front elevational view thereof;  
 FIG. 16 is a top view thereof;  
 FIG. 17 is a bottom view thereof;  
 FIG. 18 is a bottom front perspective view thereof showing the base and stem detached from the neck and bowl;  
 FIG. 19 is a top front perspective view of a fourth embodiment of a stemware, in which the neck and bowl interior wall are shown in broken lines and forms a part of the design;  
 FIG. 20 is a bottom front perspective view thereof;  
 FIG. 21 is a front elevational view thereof;  
 FIG. 22 is a top view thereof;  
 FIG. 23 is a bottom view thereof;

(Continued)

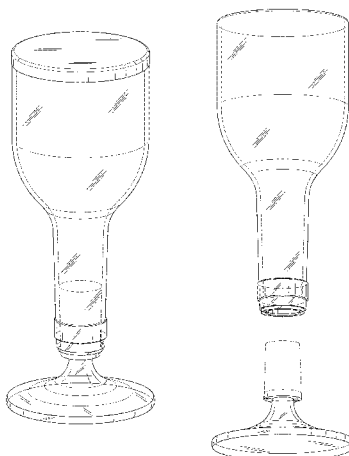


FIG. 24 is a top front perspective view of a fifth embodiment of a stemware, in which the neck and bowl interior wall are shown in broken lines and forms a part of the design; FIG. 25 is a bottom front perspective view thereof; FIG. 26 is a front elevational view thereof; FIG. 27 is a top view thereof; FIG. 28 is a bottom view thereof; FIG. 29 is a top front perspective view of a sixth embodiment of a stemware, in which the neck and bowl interior wall are shown in broken lines and forms a part of the design; FIG. 30 is a bottom front perspective view thereof; FIG. 31 is a front elevational view thereof; FIG. 32 is a top view thereof; FIG. 33 is a bottom view thereof; FIG. 34 is a top front perspective view of a seventh embodiment of a stemware, in which the neck and bowl interior wall are shown in broken lines and a portion of the coupling shown in broken lines, both features forming a part of the design; FIG. 35 is a bottom front perspective view thereof; FIG. 36 is a front elevational view thereof; FIG. 37 is a top view thereof; FIG. 38 is a bottom view thereof; FIG. 39 is a bottom front perspective view thereof showing the base and stem detached from the neck and bowl; FIG. 40 is a top front perspective view of an eighth embodiment of a stemware, in which the neck and bowl interior wall are shown in broken lines and forms a part of the design; FIG. 41 is a bottom front perspective view thereof; FIG. 42 is a front elevational view thereof; FIG. 43 is a top view thereof; and, FIG. 44 is a bottom view thereof. The broken lines in the drawings depict portions of the stemware that form no part of the claimed design.

**1 Claim, 36 Drawing Sheets**

(58) **Field of Classification Search**  
 CPC . A47G 19/2205; A47G 19/28; A47G 19/2255  
 See application file for complete search history.

(56) **References Cited**

U.S. PATENT DOCUMENTS

D89,309 S \* 2/1933 Rossiter ..... D7/524  
 D90,928 S \* 10/1933 Rosenmerkle ..... D7/524  
 1,953,723 A \* 4/1934 Quante ..... A47G 19/2205  
 215/374

2,224,319 A \* 12/1940 Schroyer ..... A47G 19/2227  
 215/377  
 2,532,181 A \* 11/1950 Moore ..... A47G 19/2227  
 362/101  
 D161,115 S \* 12/1950 Meier ..... D7/524  
 3,374,344 A \* 3/1968 Rudolph ..... A47G 19/2227  
 362/101  
 3,482,731 A \* 12/1969 Douty ..... B65D 7/04  
 215/377  
 3,526,335 A \* 9/1970 Swett ..... A47G 19/2255  
 215/10  
 3,735,113 A \* 5/1973 Stott ..... A01K 63/06  
 362/101  
 D254,946 S \* 5/1980 Tayebi ..... D7/528  
 D262,253 S \* 12/1981 Vennola ..... D7/507  
 4,681,236 A \* 7/1987 Ilk ..... A47G 19/2205  
 215/374  
 D355,812 S \* 2/1995 DuBow ..... D7/524  
 D358,080 S \* 5/1995 Handler ..... D7/507  
 D395,575 S \* 6/1998 Zelle ..... D7/531  
 5,817,162 A \* 10/1998 Penrith ..... A47G 19/2255  
 215/387  
 D419,379 S \* 1/2000 Madden ..... D7/515  
 6,164,473 A \* 12/2000 Waldrip ..... A47G 19/2205  
 215/377  
 6,398,050 B1 \* 6/2002 Allora ..... A47G 19/2255  
 215/228  
 D474,648 S \* 5/2003 Dimeo ..... D7/523  
 D509,993 S \* 9/2005 Lambert ..... D7/524  
 D519,783 S \* 5/2006 Lambert ..... D7/510  
 D609,049 S \* 2/2010 Solhendler ..... D7/396.6  
 D700,797 S \* 3/2014 Burkes ..... D10/46.2  
 D701,731 S \* 4/2014 McClellan ..... D7/524  
 8,763,849 B2 \* 7/2014 Benetti ..... A47G 19/2255  
 215/371  
 8,833,559 B2 \* 9/2014 Scott ..... A47G 19/2205  
 206/548  
 2005/0092760 A1 \* 5/2005 Westerhold ..... A47G 19/2255  
 220/703  
 2005/0139570 A1 \* 6/2005 Lambert ..... A47G 19/2205  
 215/223  
 2008/0011748 A1 \* 1/2008 Meyer ..... A47G 19/2255  
 220/23.83  
 2008/0099364 A1 \* 5/2008 Niedzwiecki ..... A47G 19/2255  
 206/517  
 2009/0001043 A1 \* 1/2009 Benetti ..... A47G 19/2255  
 215/377  
 2012/0233968 A1 \* 9/2012 Bernstein ..... A47G 19/2205  
 53/452  
 2013/0075356 A1 \* 3/2013 Bergida ..... A47G 19/2205  
 215/329  
 2014/0299601 A1 \* 10/2014 Schiavone ..... A47G 19/2205  
 220/288  
 2014/0332495 A1 \* 11/2014 Choi ..... B65D 1/06  
 215/378

\* cited by examiner

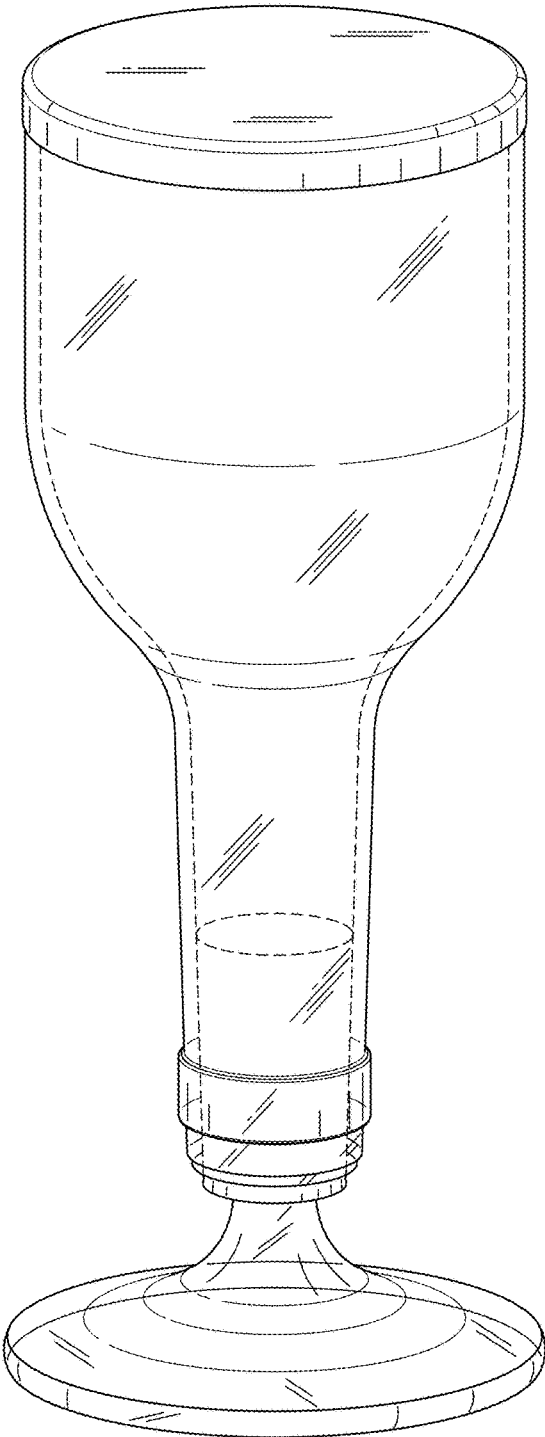


FIG. 1

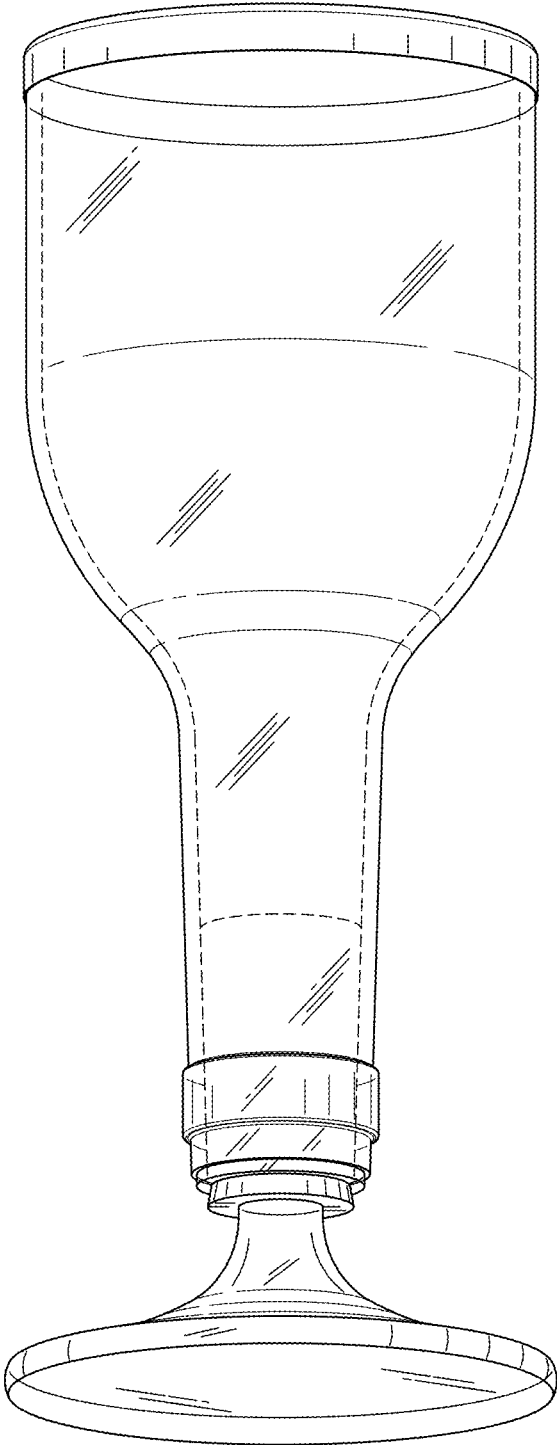


FIG. 2

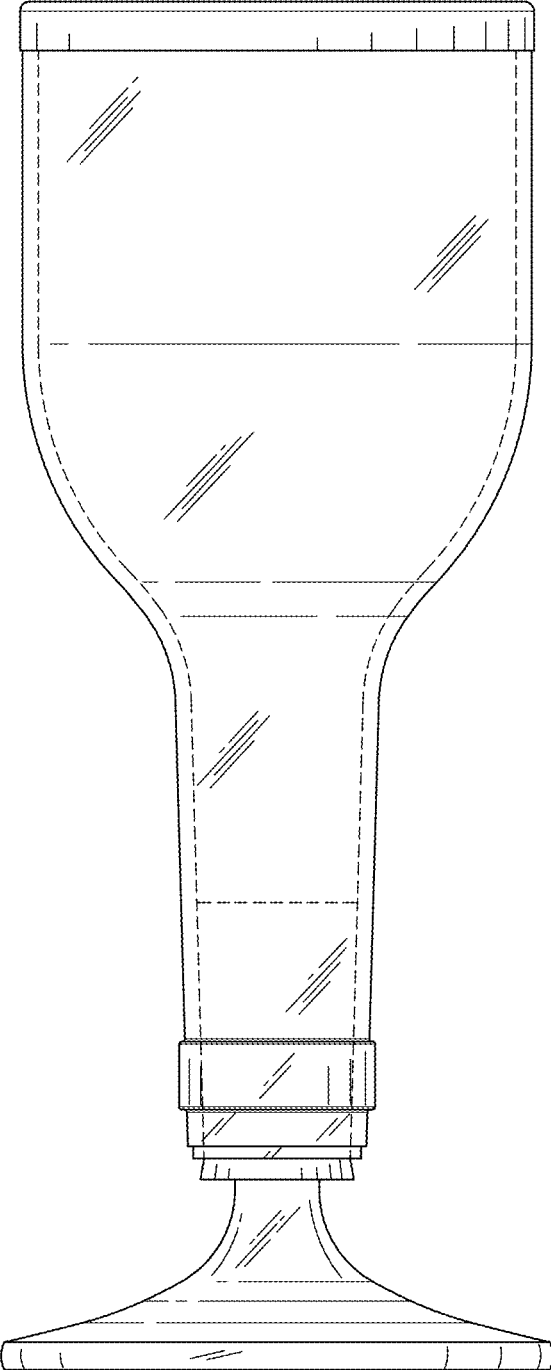


FIG. 3

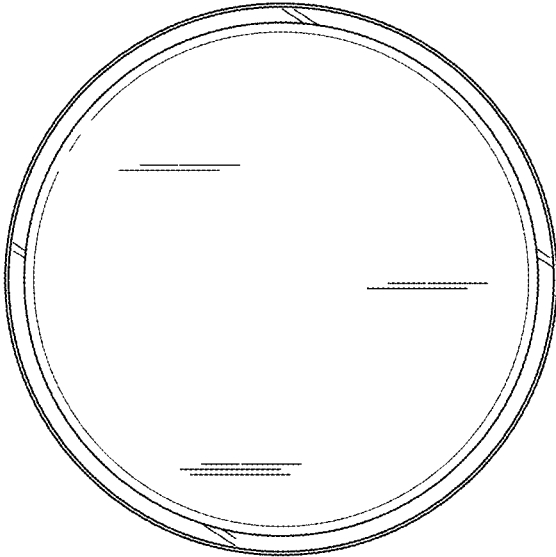


FIG. 4



FIG. 5

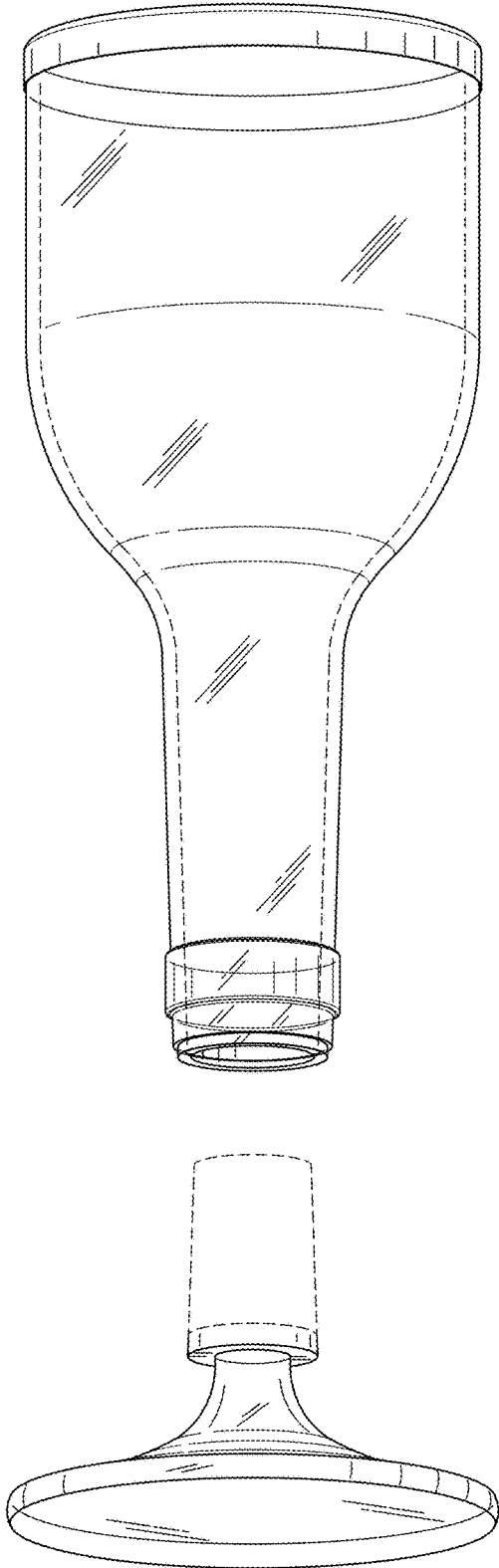


FIG. 6

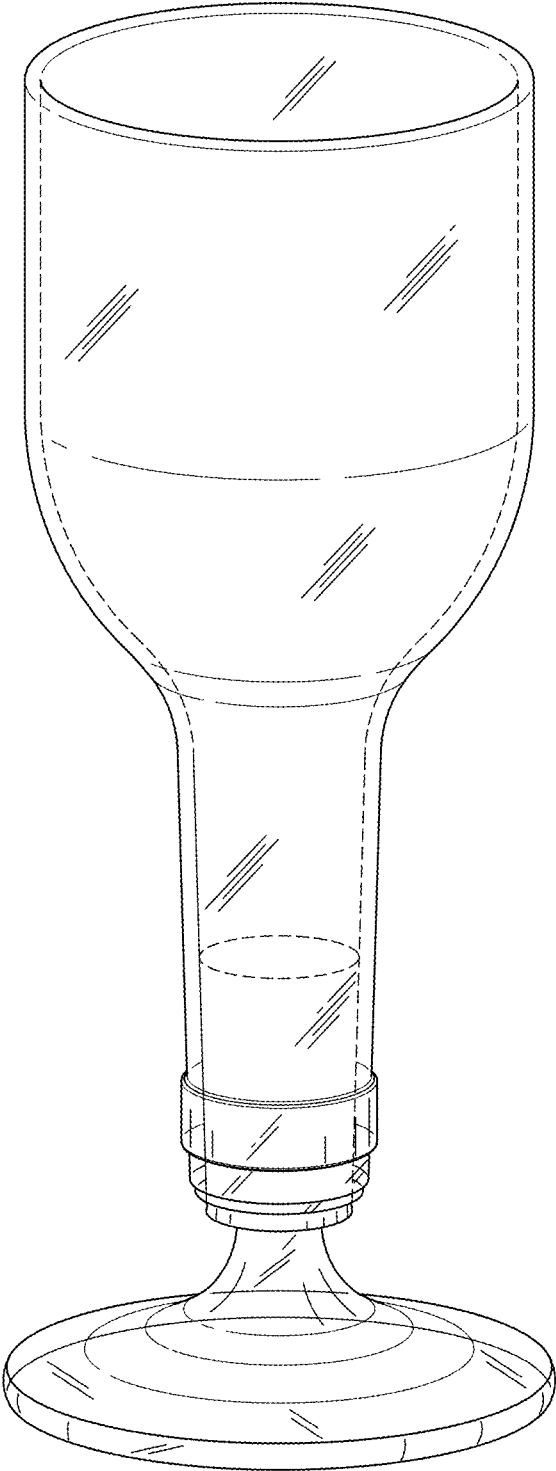


FIG. 7



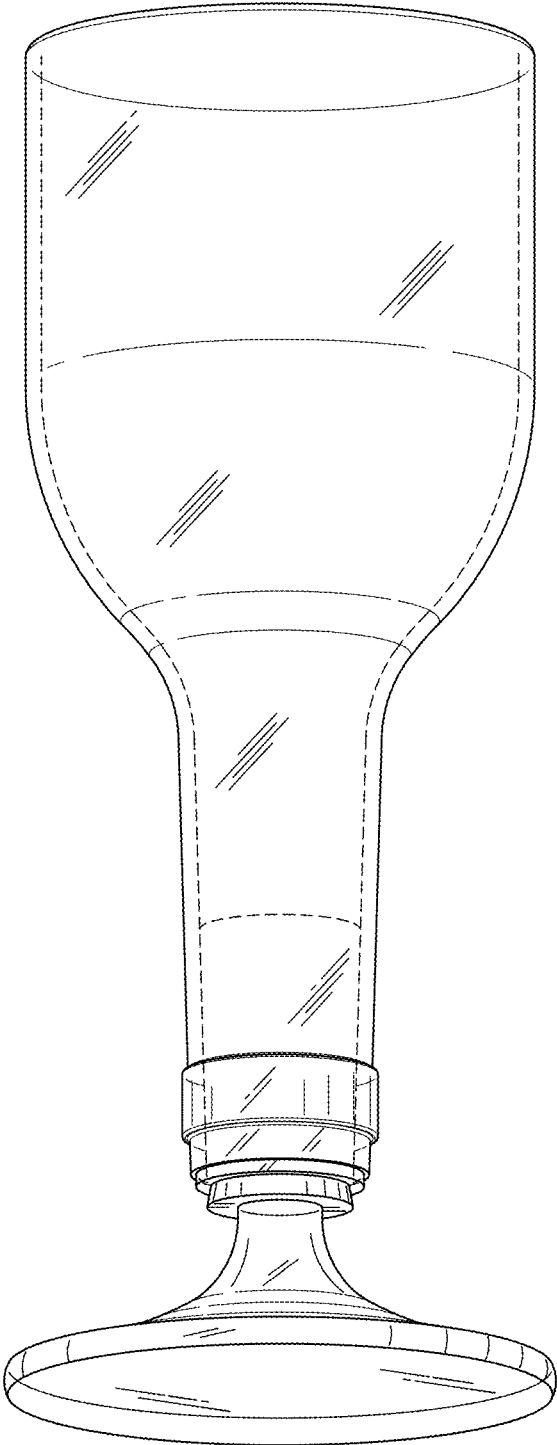


FIG. 8

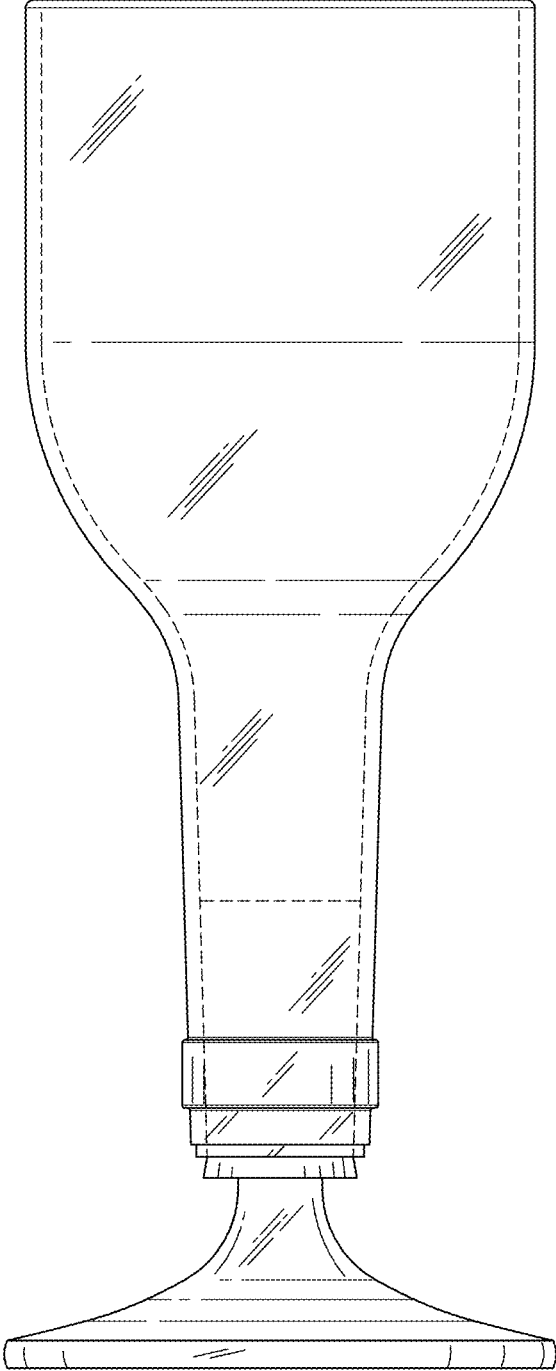


FIG. 9

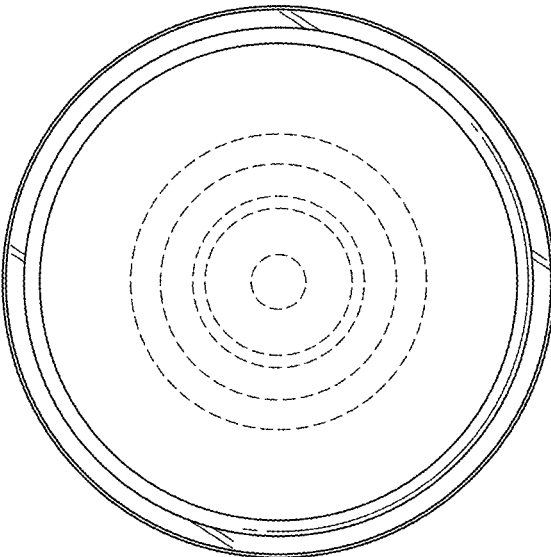


FIG. 10



FIG. 11

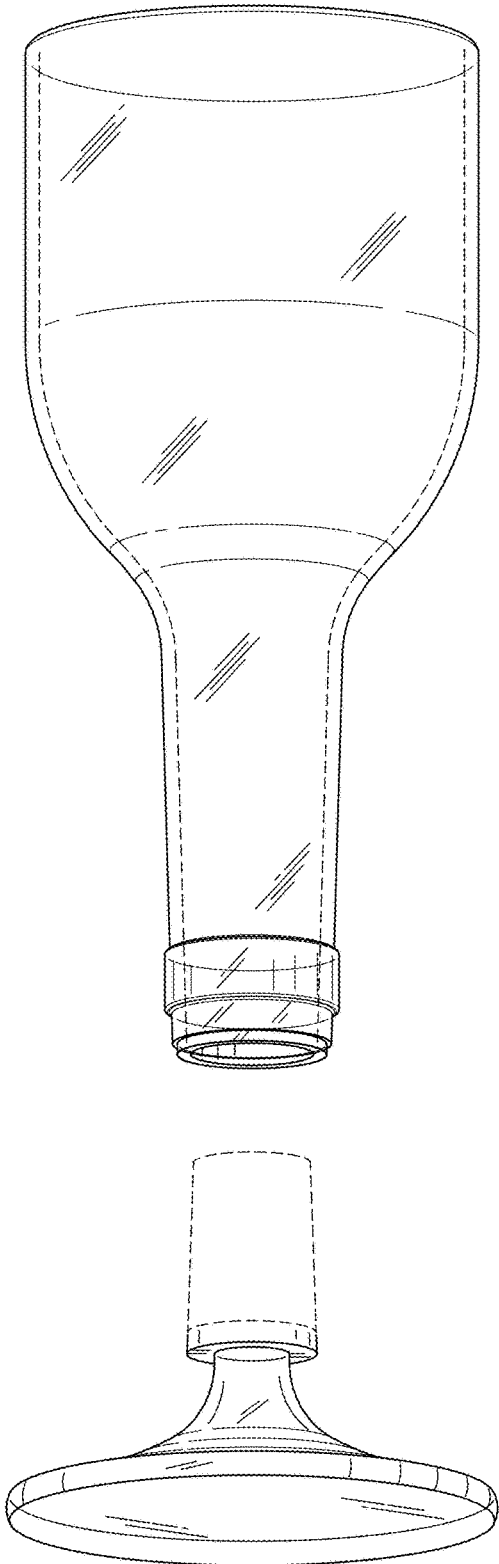


FIG. 12

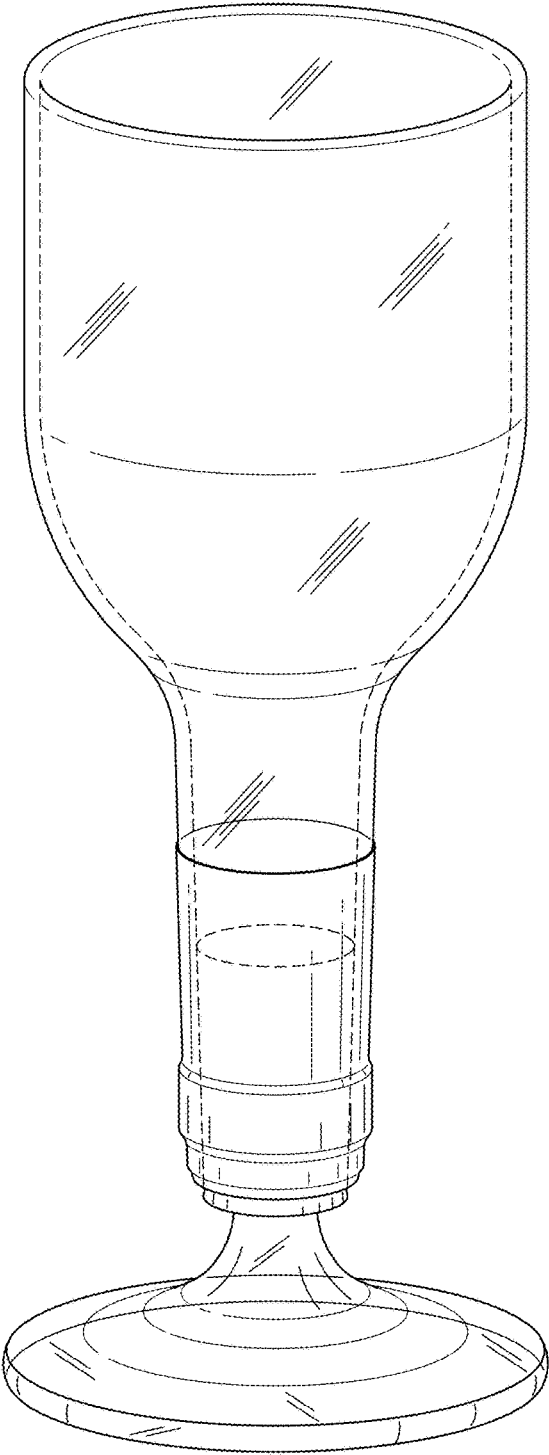


FIG. 13

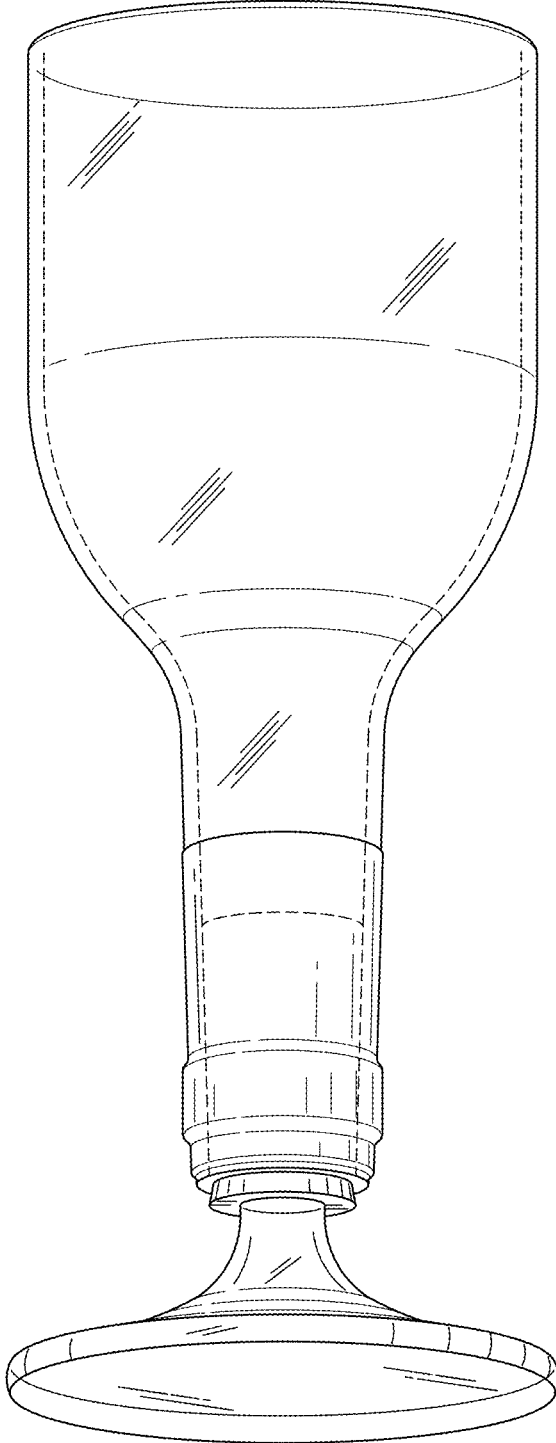


FIG. 14

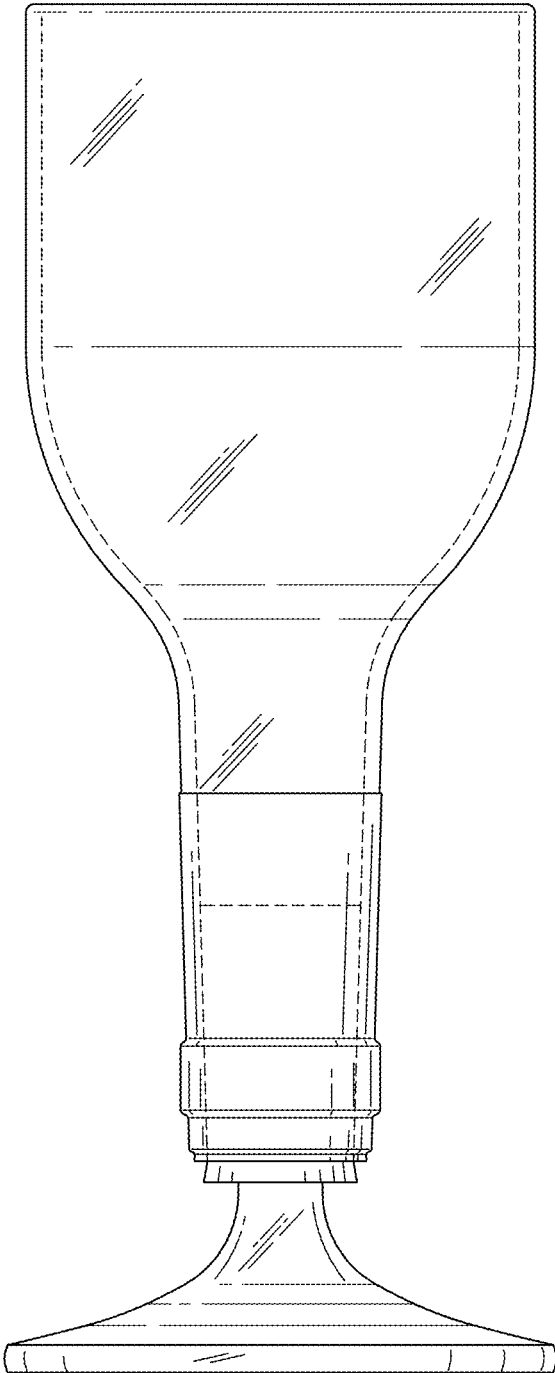


FIG. 15

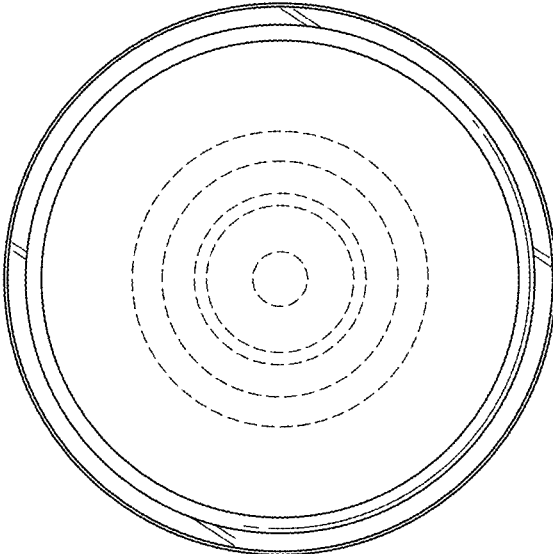


FIG. 16



FIG. 17



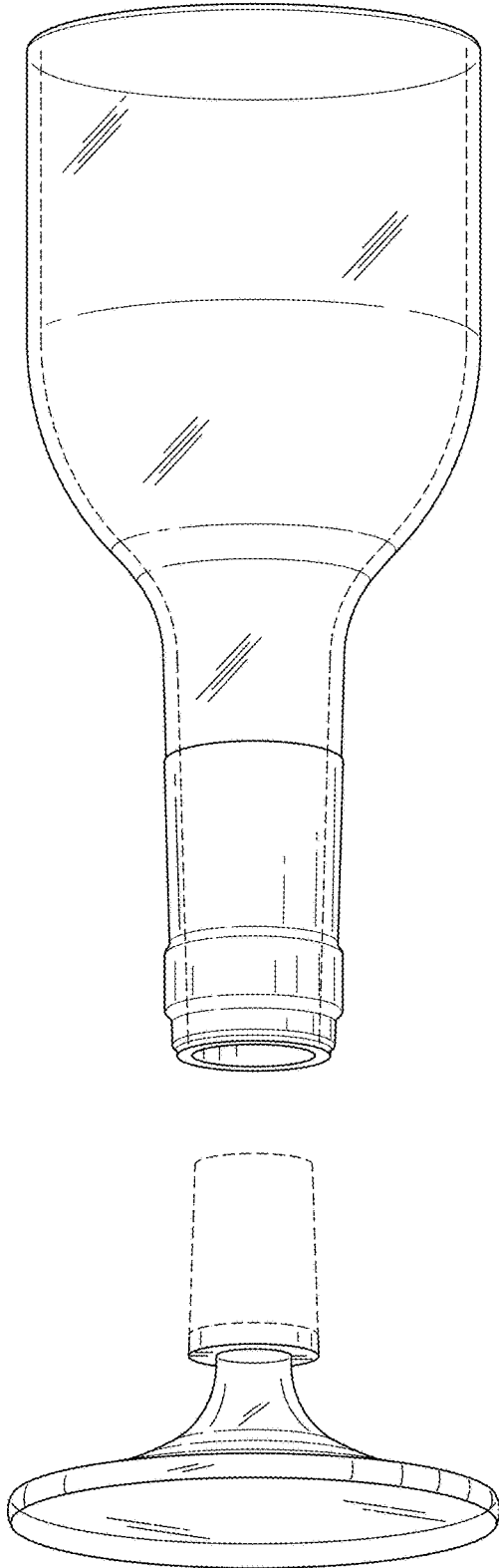


FIG. 18

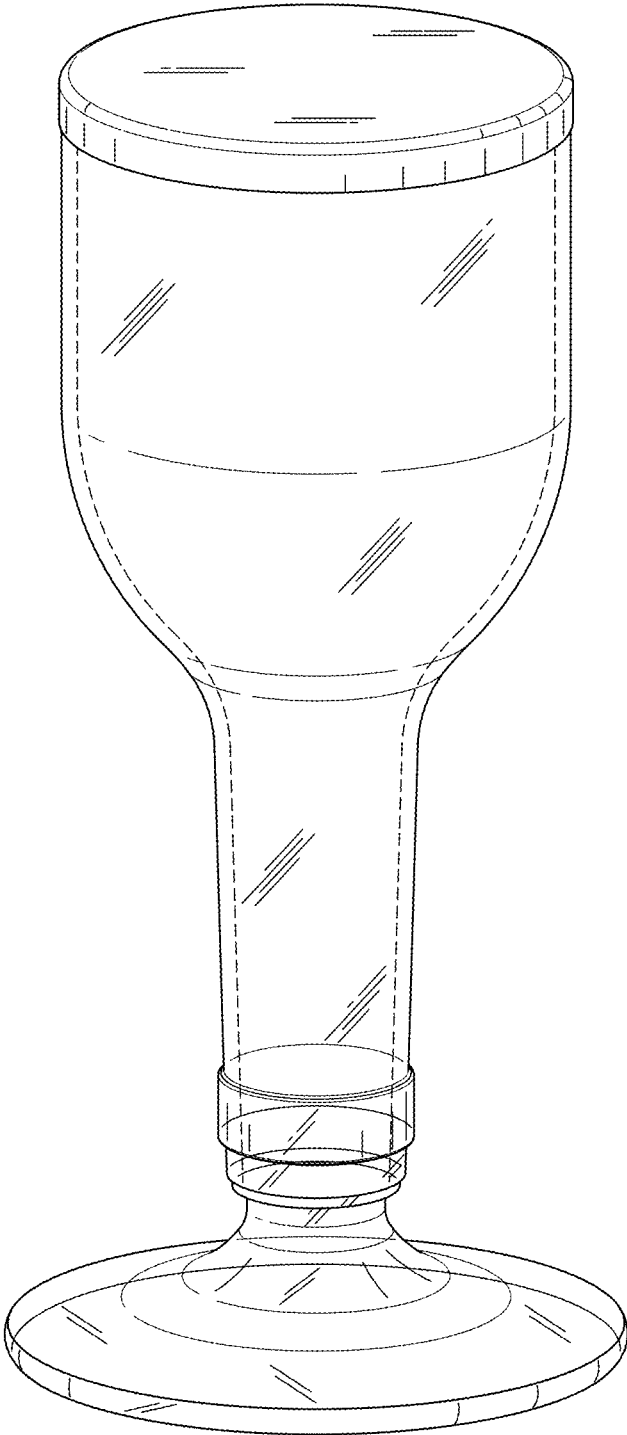


FIG. 19

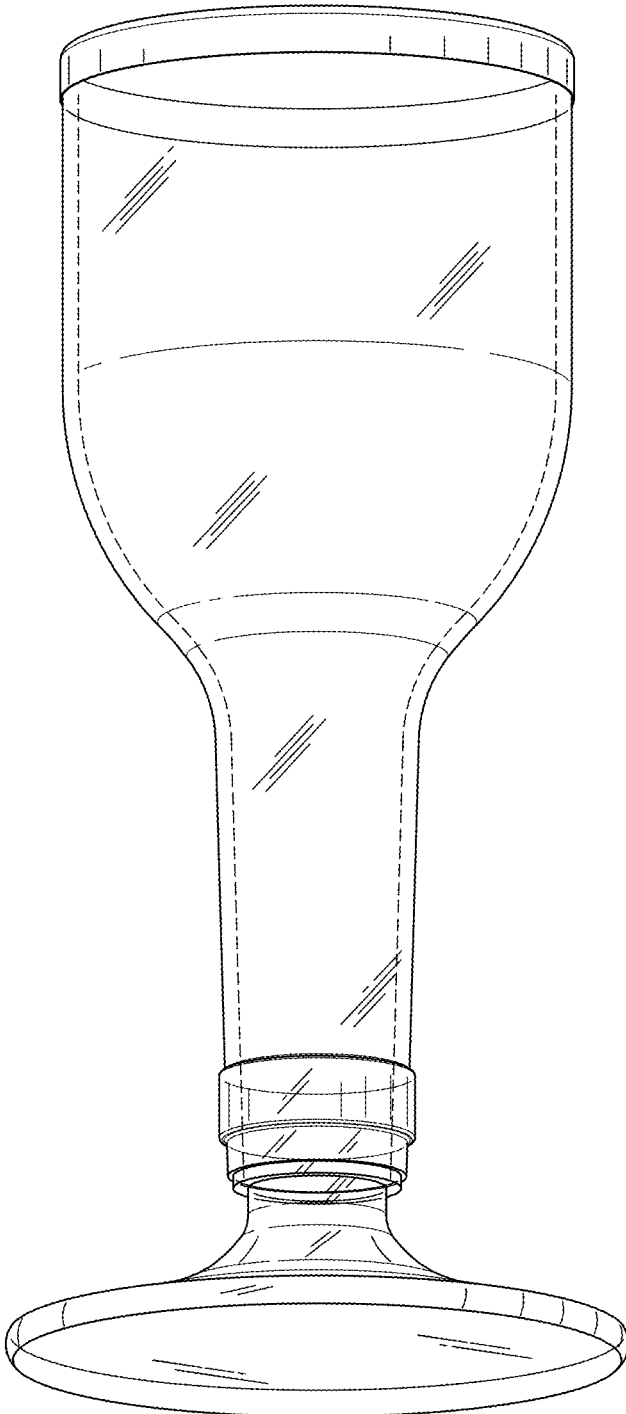


FIG. 20

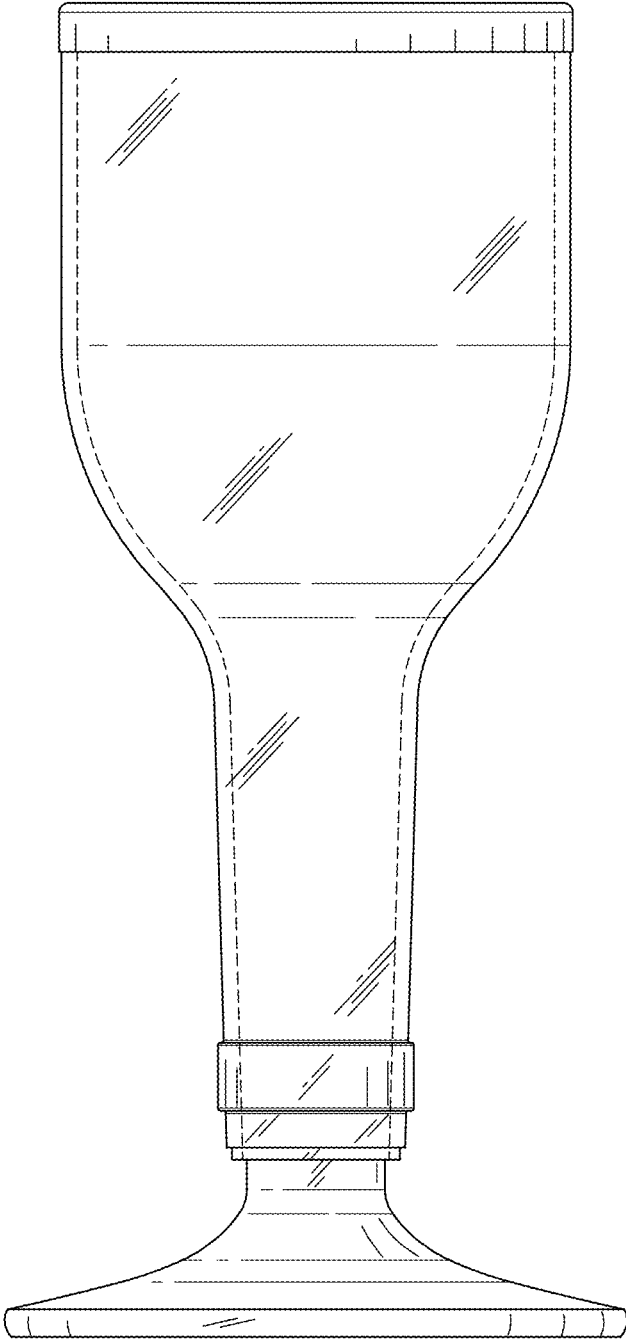


FIG. 21

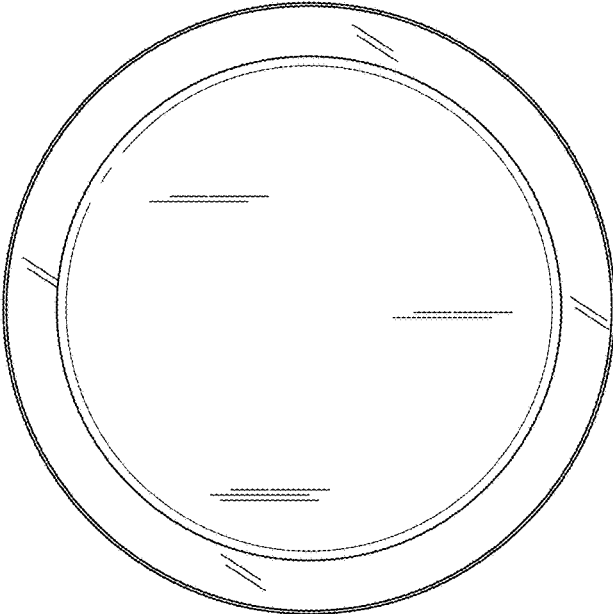


FIG. 22

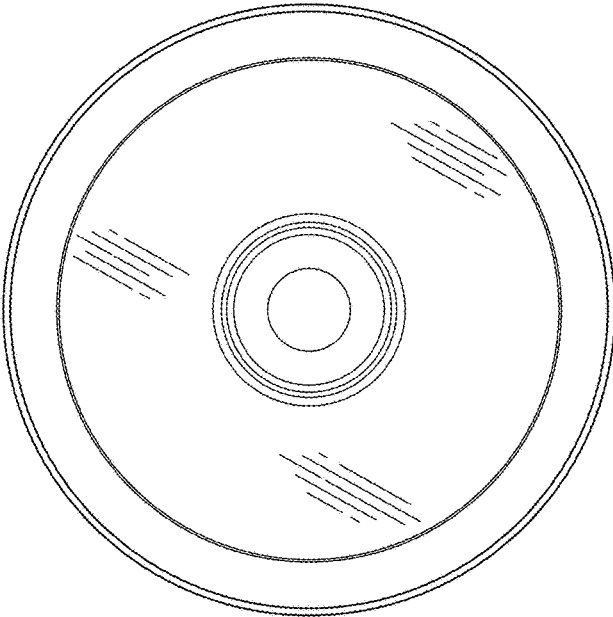


FIG. 23

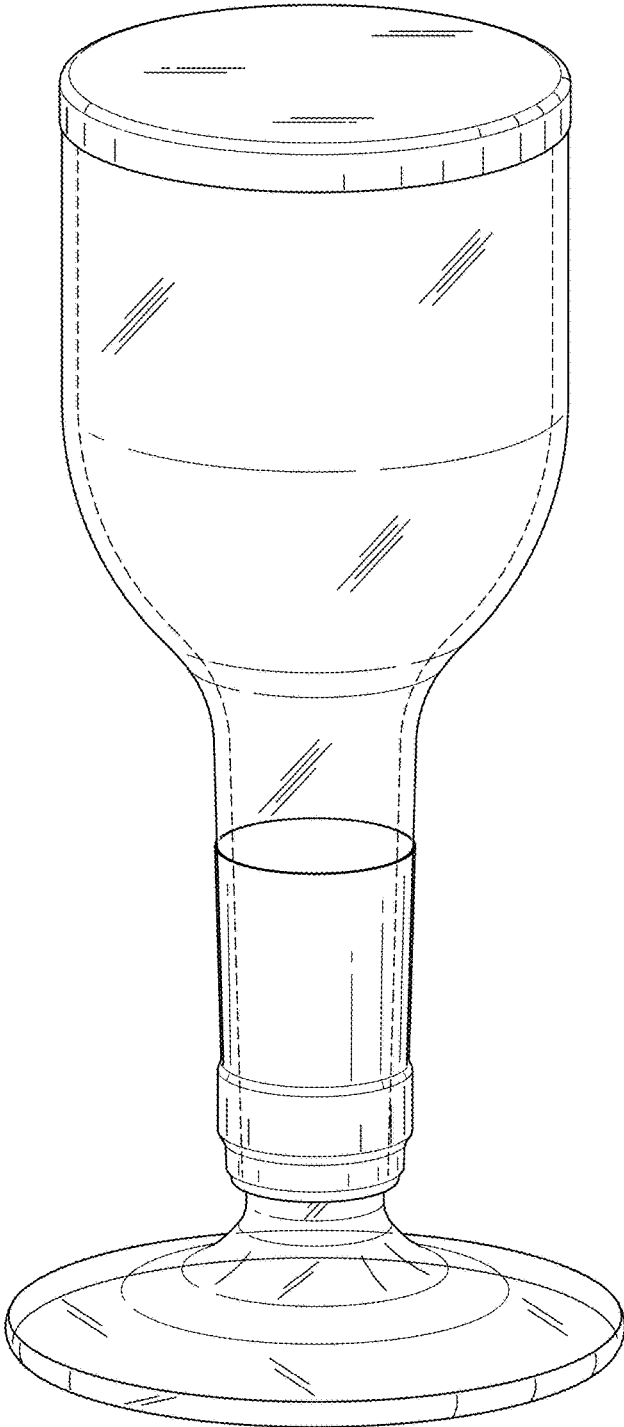


FIG. 24

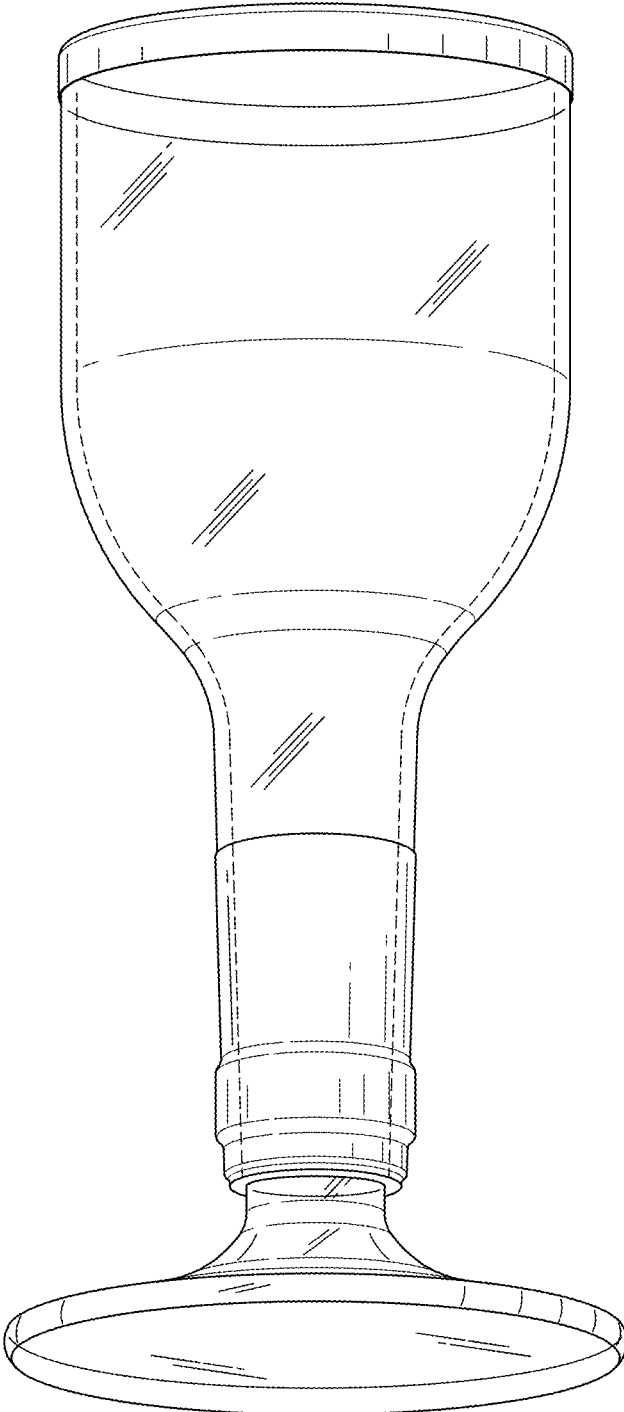


FIG. 25

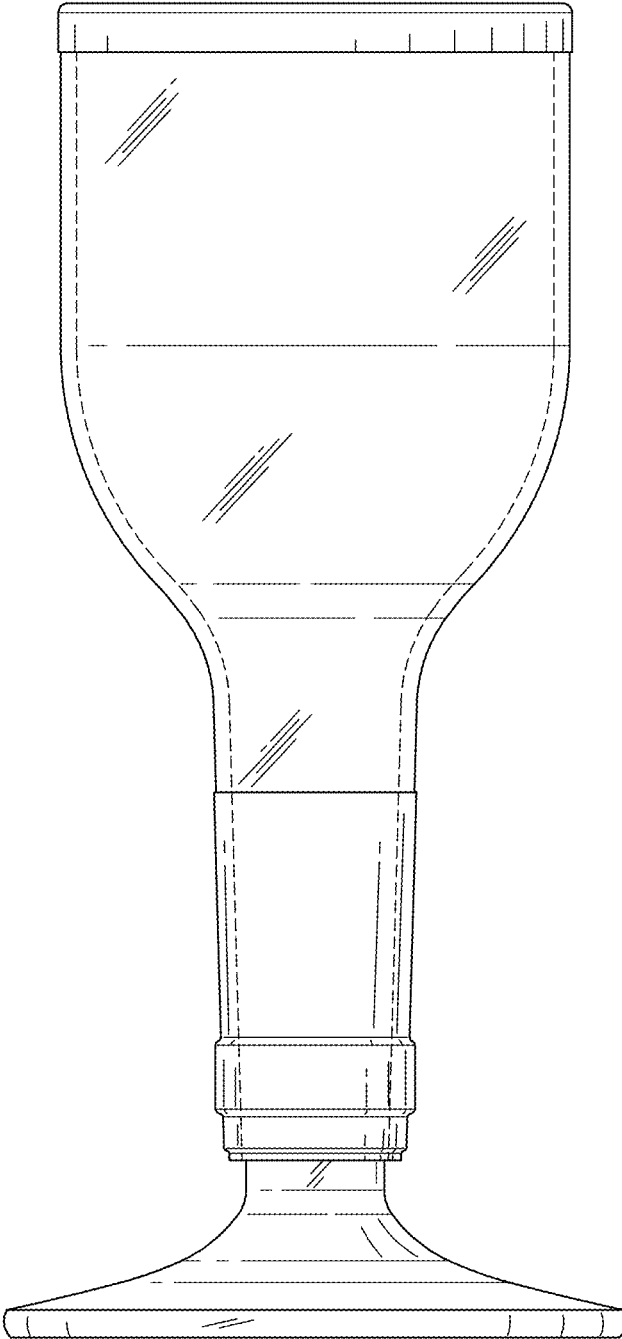


FIG. 26



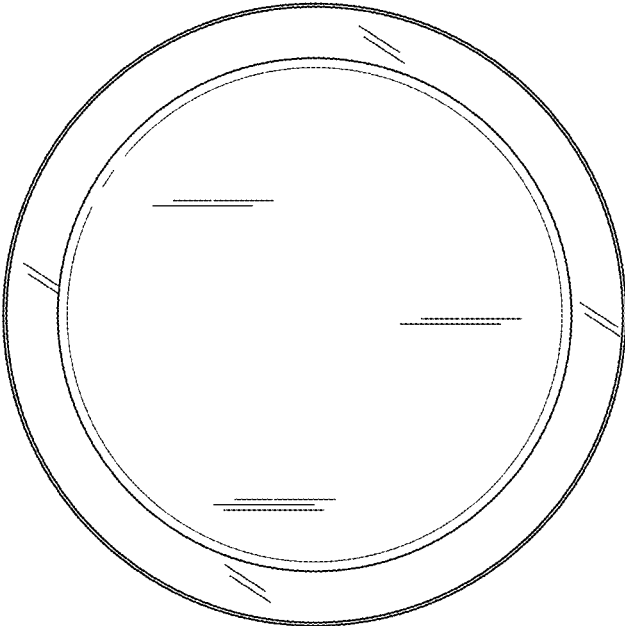


FIG. 27

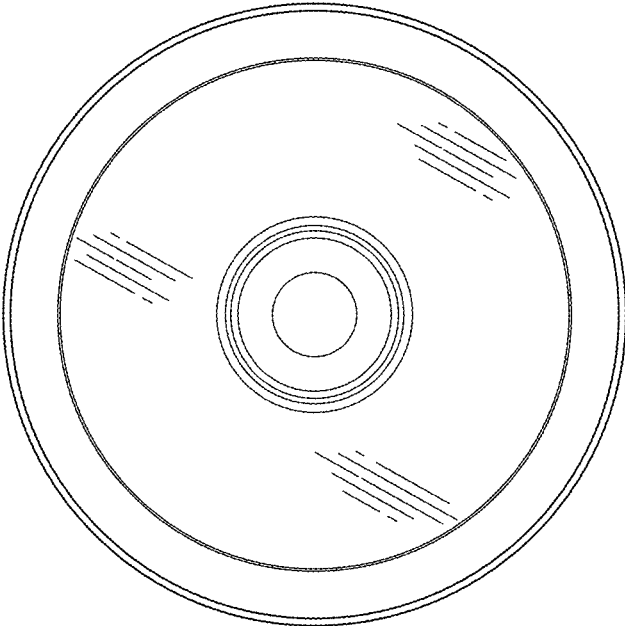


FIG. 28

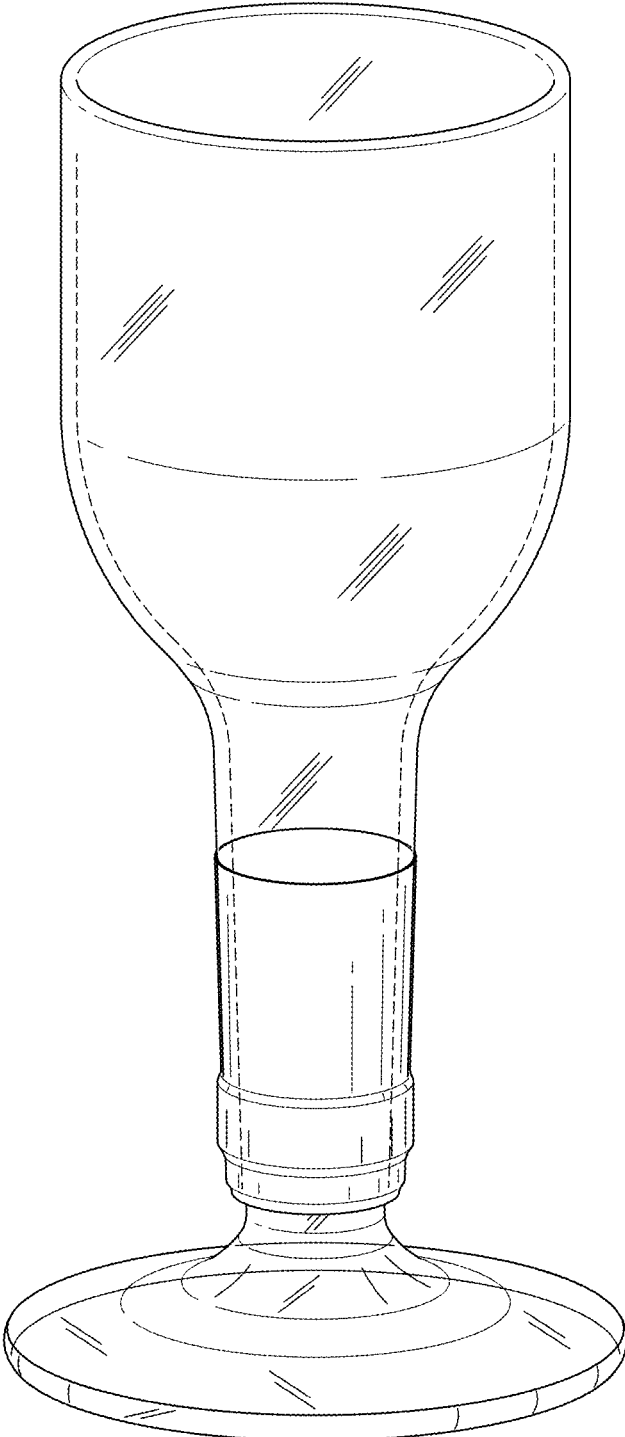


FIG. 29

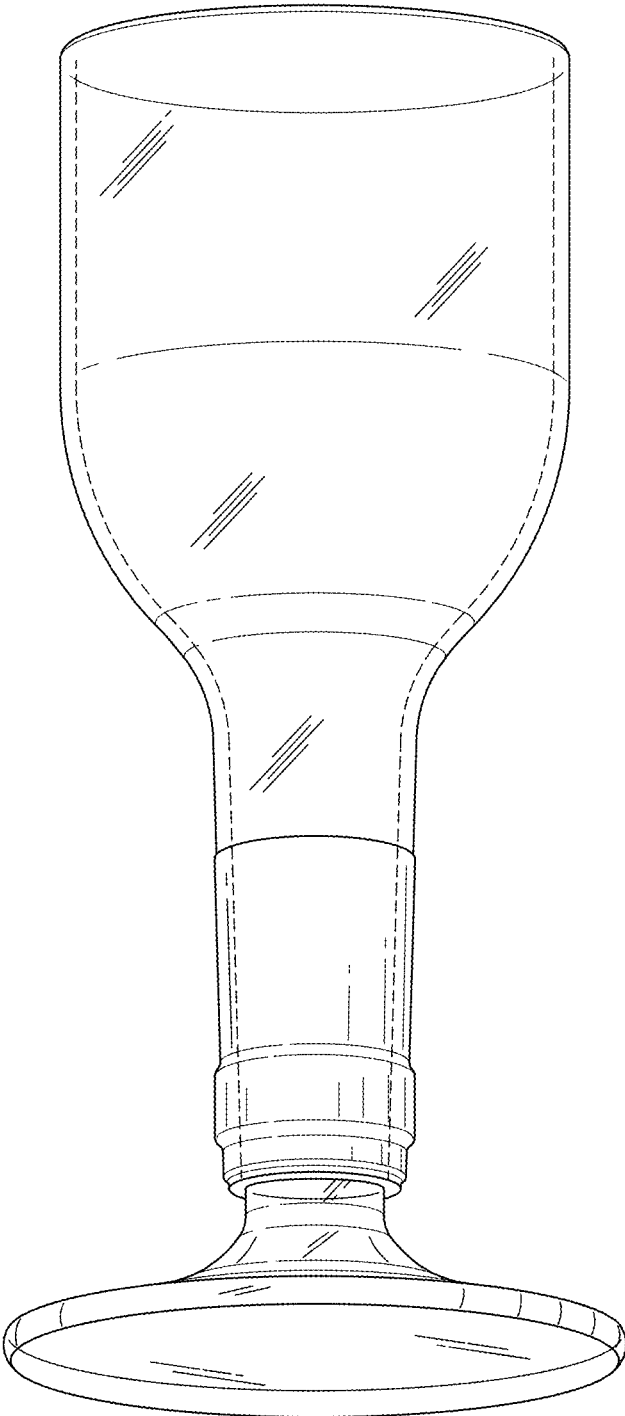


FIG. 30

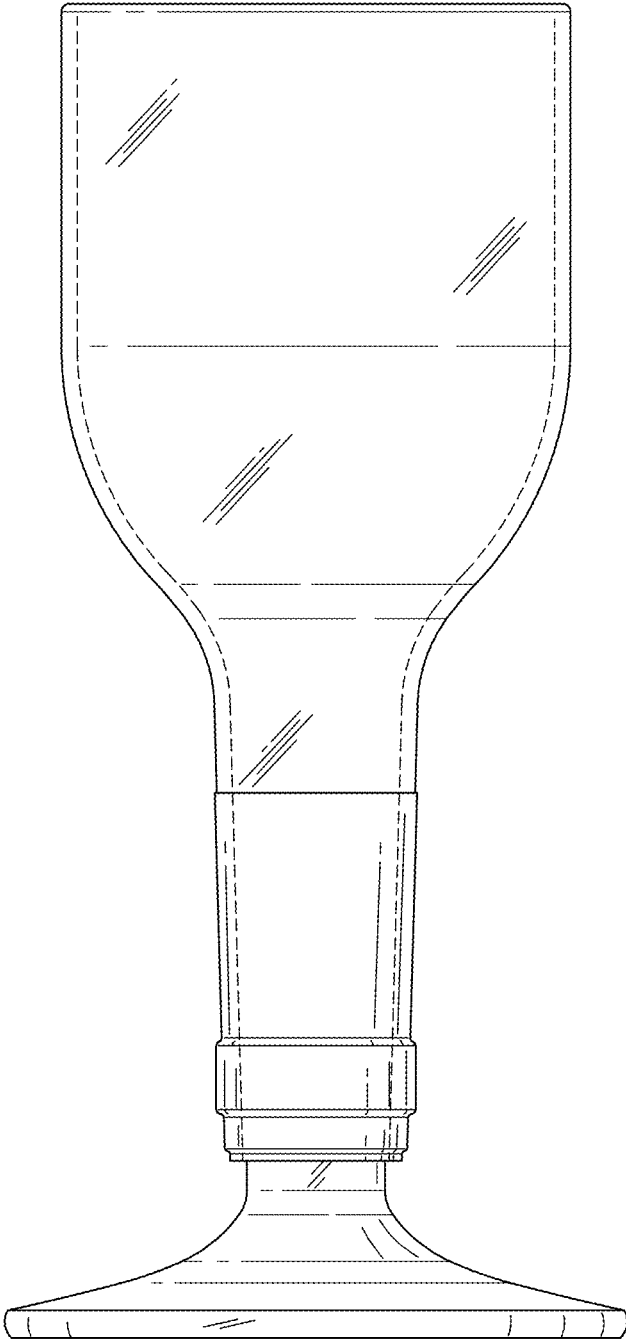


FIG. 31

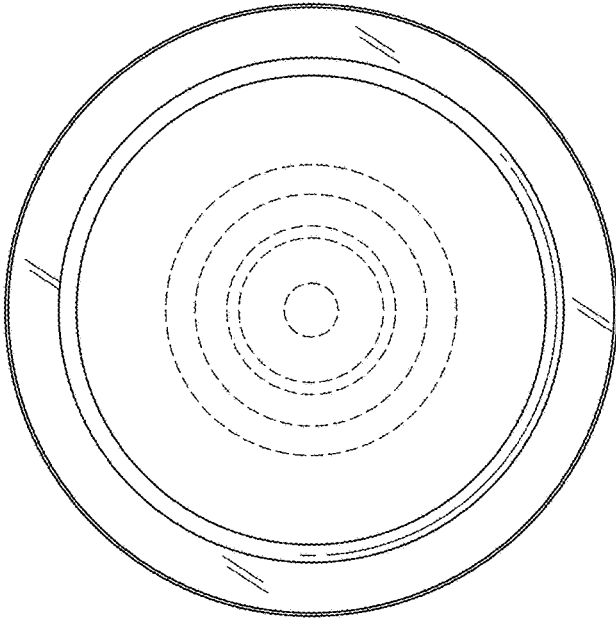


FIG. 32

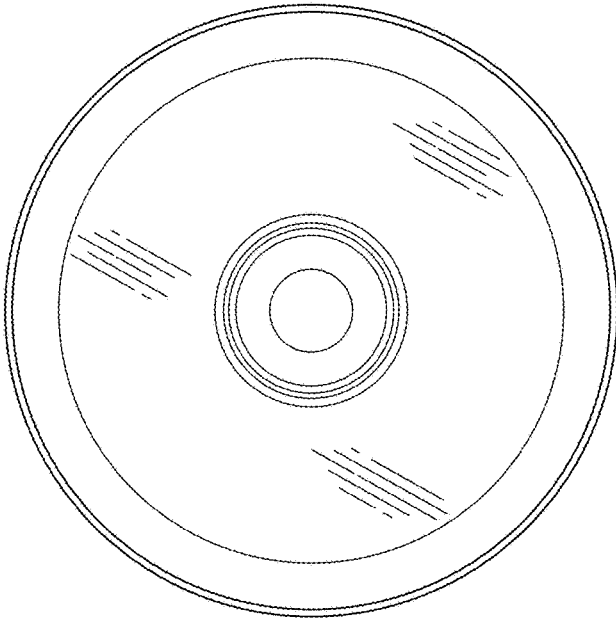


FIG. 33

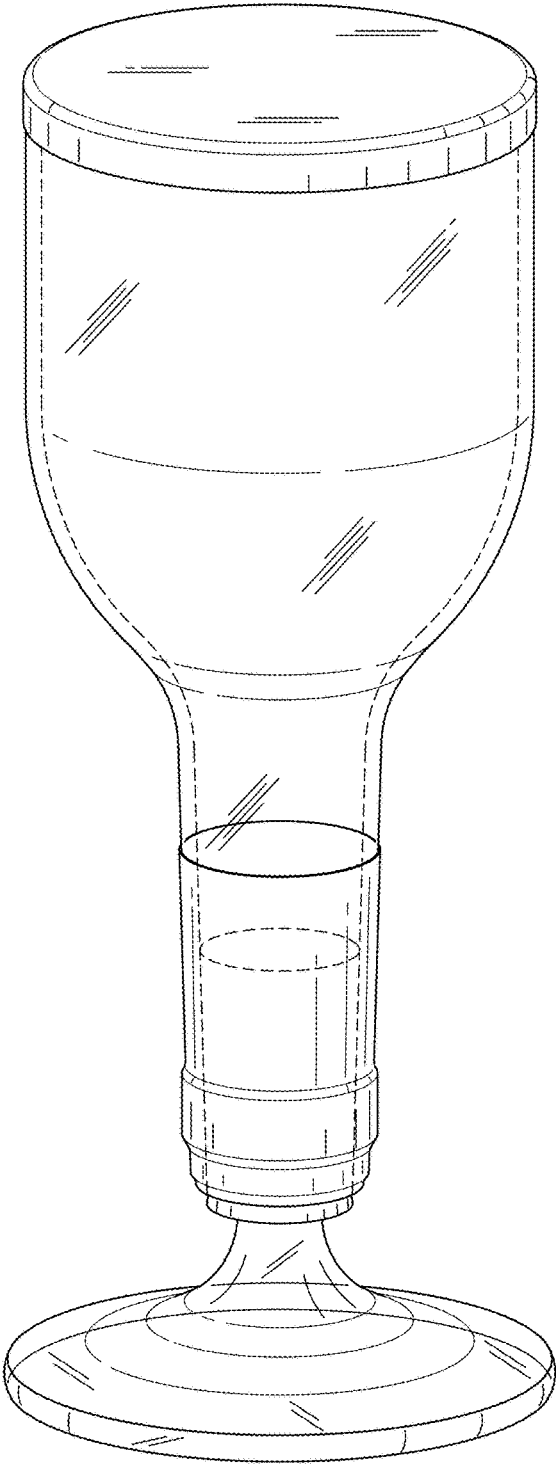


FIG. 34

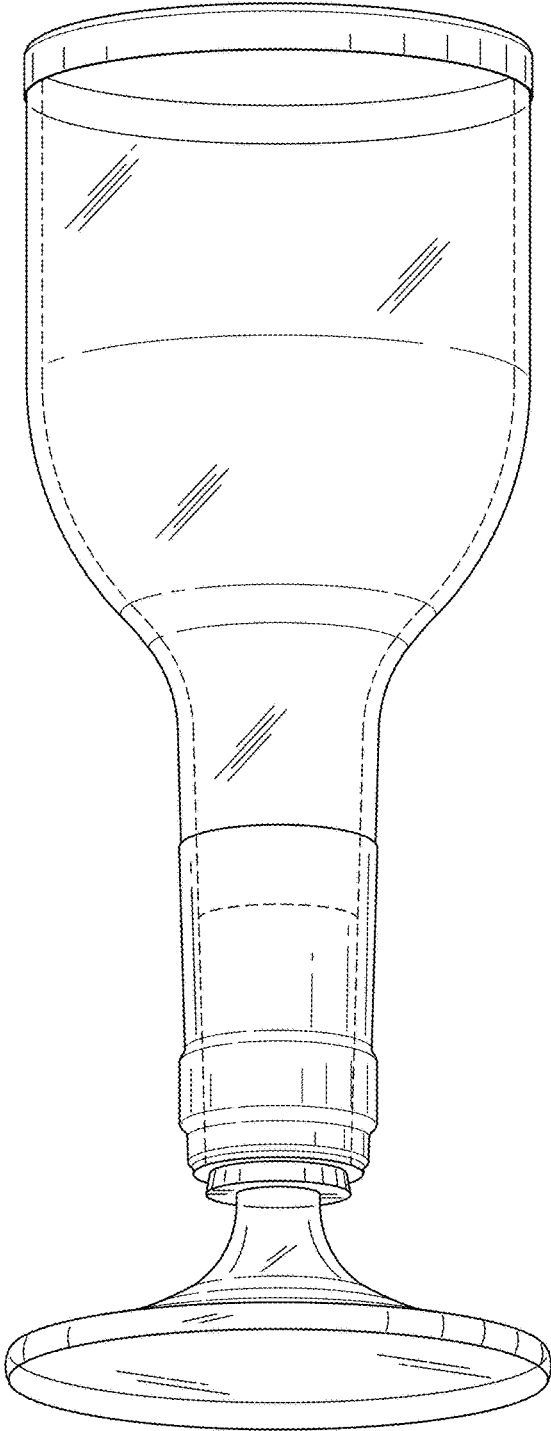


FIG. 35

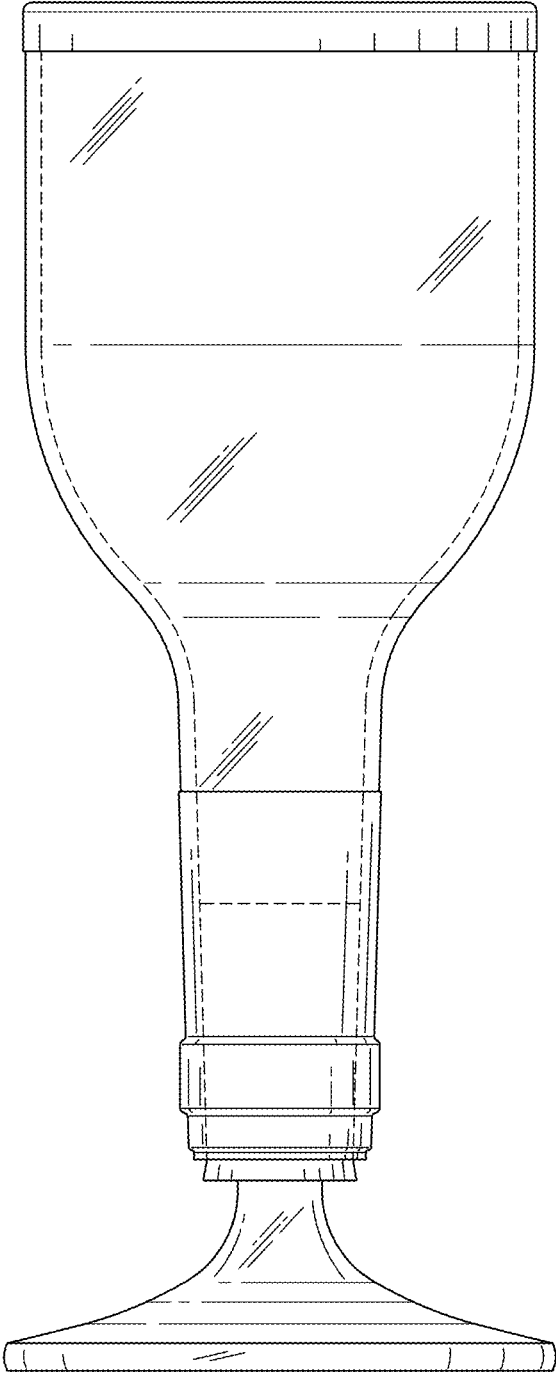


FIG. 36



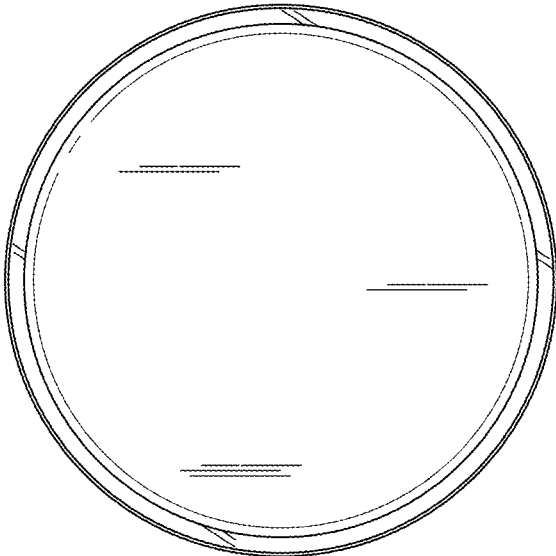


FIG. 37



FIG. 38

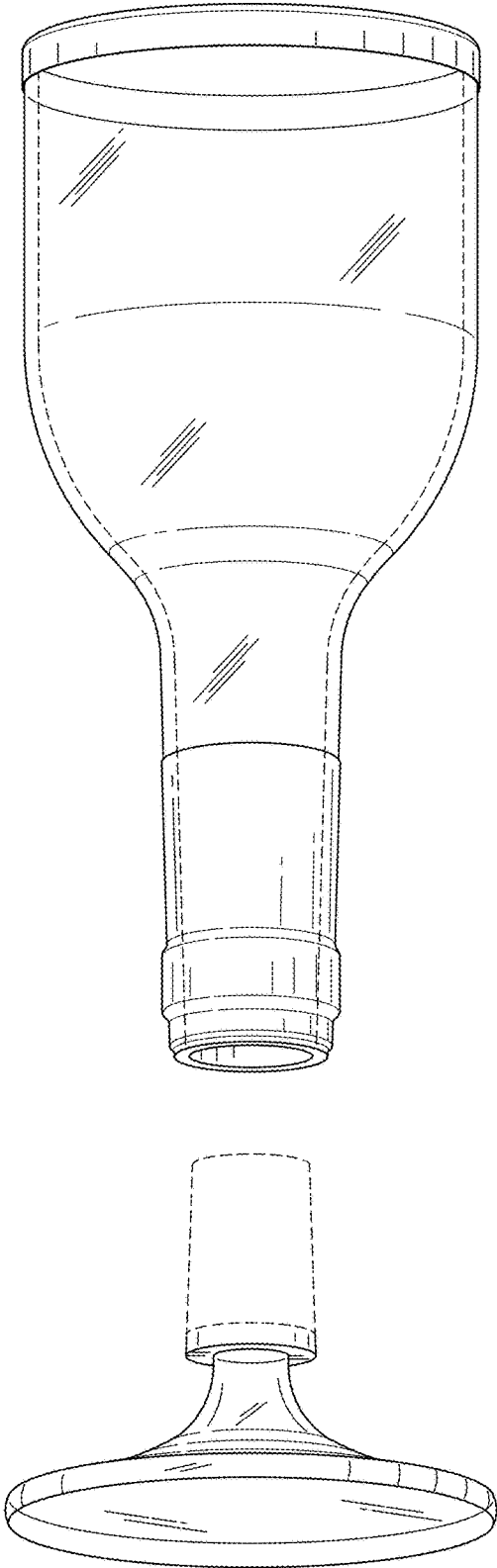


FIG. 39

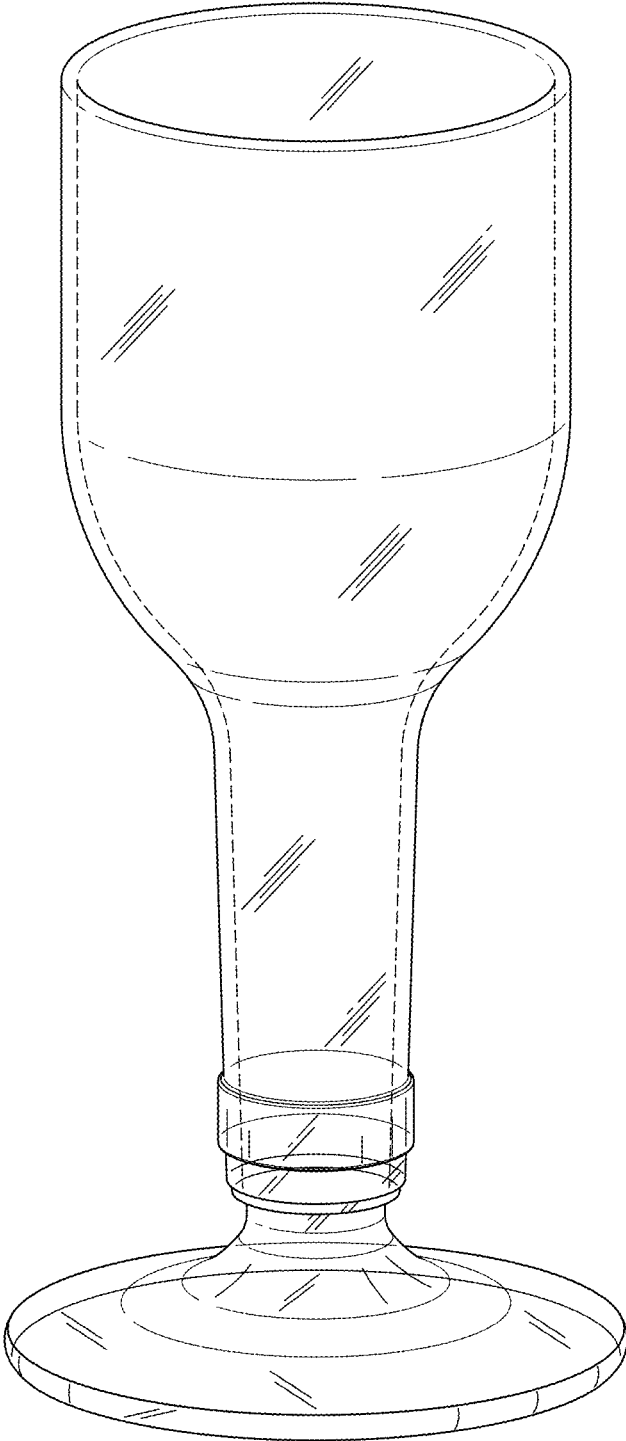


FIG. 40

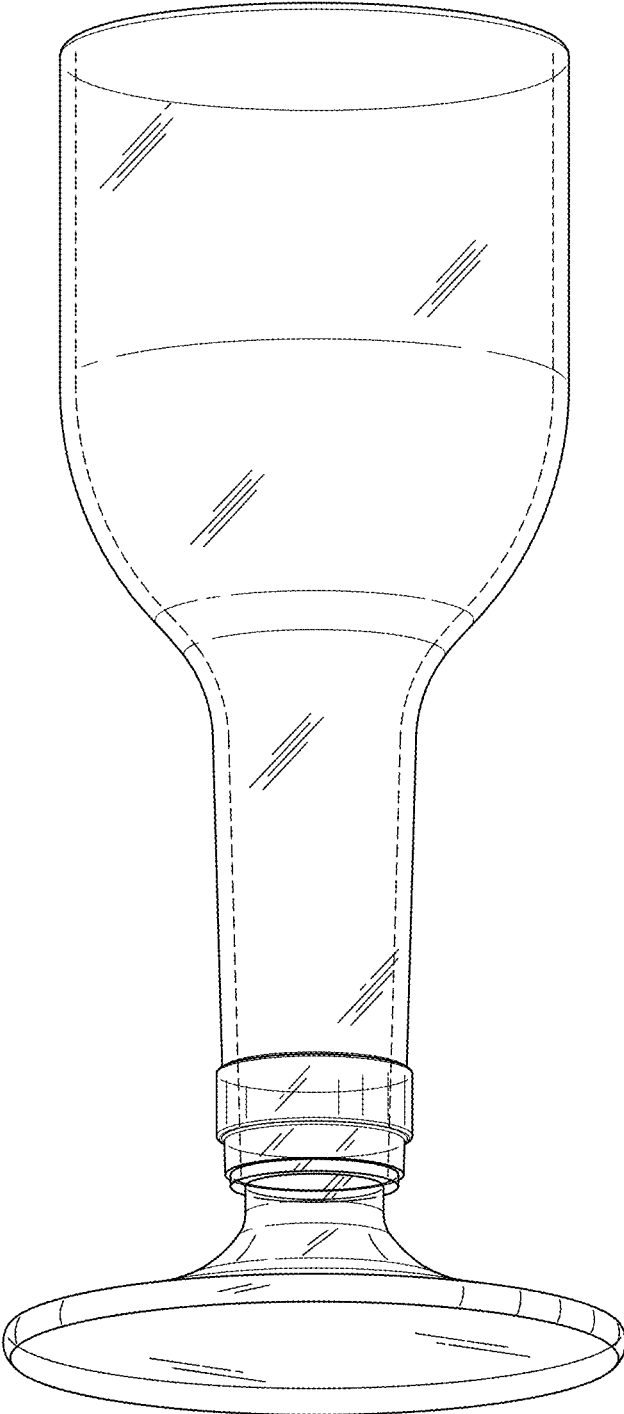


FIG. 41

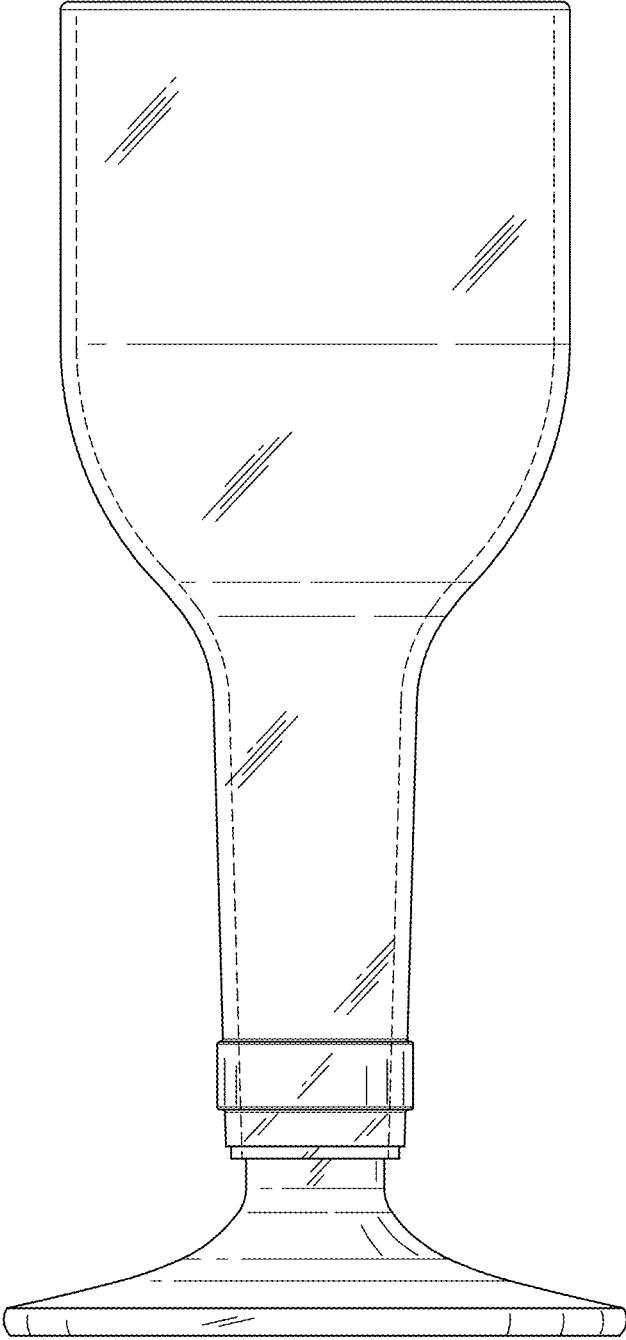


FIG. 42

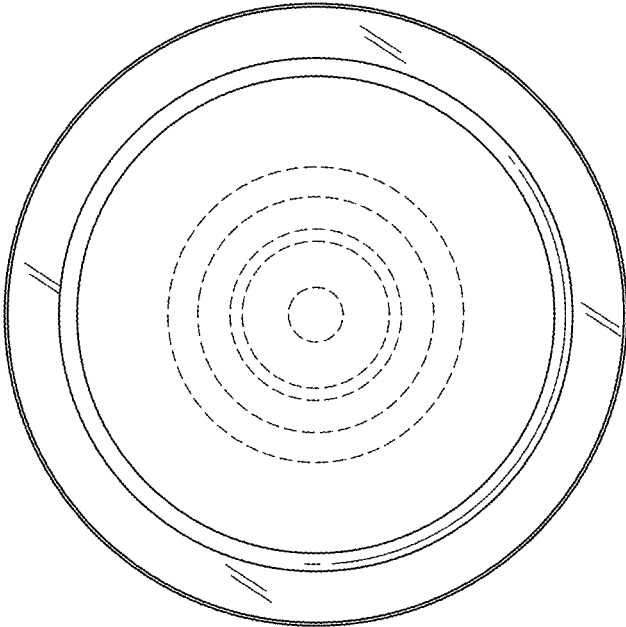


FIG. 43

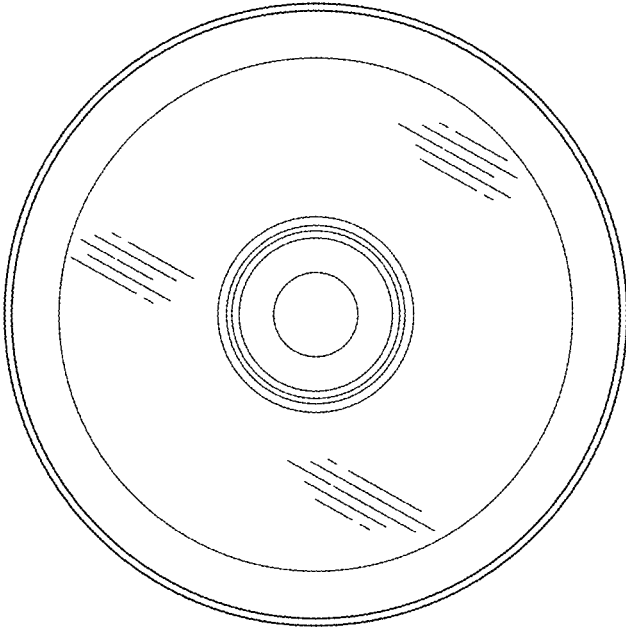


FIG. 44