



US00D718612S

(12) **United States Design Patent**
McSweyn et al.

(10) **Patent No.:** **US D718,612 S**

(45) **Date of Patent:** **** Dec. 2, 2014**

(54) **MAGNETIC MOUNTING SYSTEM WITH ANGLED STALK**

(71) Applicant: **Scosche Industries, Inc.**, Oxnard, CA (US)

(72) Inventors: **Christopher Michael McSweyn**, Oxnard, CA (US); **Vince Alves**, Oxnard, CA (US); **Mark Larson**, Camarillo, CA (US)

(73) Assignee: **Scosche Industries, Inc.**, Oxnard, CA (US)

(**) Term: **14 Years**

(21) Appl. No.: **29/476,362**

(22) Filed: **Dec. 12, 2013**

(51) **LOC (10) Cl.** **08-05**

(52) **U.S. Cl.**
USPC **D8/363**

(58) **Field of Classification Search**
CPC B60R 11/00; B60R 11/0241; B60R 11/0258; B60R 11/0264
USPC D8/349, 363, 354, 106, 355, 499; 224/483, 0.5, 929; 248/682, 683, 248/205.1, 206.2-206.5, 207, 208, 288.11, 248/288.31, 288.51; 108/151, 152, 161; D14/251, 253, 447, 217

See application file for complete search history.

(56) **References Cited**

U.S. PATENT DOCUMENTS

3,329,277	A	7/1967	Gaudino	
3,642,122	A	2/1972	Von Ende	
D306,396	S *	3/1990	Brushaber	D8/355
5,992,807	A	11/1999	Tarulli	
6,076,790	A	6/2000	Richter	
6,135,408	A	10/2000	Richter	
6,149,116	A	11/2000	Won	
6,305,656	B1	10/2001	Wemyss	

6,382,482	B1	5/2002	Chao	
6,502,727	B1	1/2003	Decoteau	
6,888,940	B1	5/2005	Deppen	
D521,850	S *	5/2006	Richter et al.	D8/354
D543,439	S *	5/2007	Brassard	D8/363
D553,959	S *	10/2007	Brassard	D8/363
7,296,771	B2 *	11/2007	Kalis et al.	248/288.31
D560,592	S *	1/2008	Brassard	D12/415
D565,937	S *	4/2008	Tsai	D8/363
7,374,142	B2	5/2008	Carnevali	
7,431,251	B2	10/2008	Carnevali	
D588,903	S *	3/2009	Carnevali	D8/355
D592,205	S *	5/2009	O'Brien	D14/253
8,016,255	B2	9/2011	Lin	
8,496,222	B2 *	7/2013	Li	248/683
D705,211	S *	5/2014	Huang	D14/253
D709,066	S *	7/2014	Byun	D14/253
2008/0023606	A1 *	1/2008	Kalis et al.	248/288.31
2011/0192857	A1	8/2011	Rothbaum et al.	
2013/0187020	A1 *	7/2013	Trotsky	248/309.3

* cited by examiner

Primary Examiner — Deanna L Pratt

Assistant Examiner — Ieisha Price

(74) *Attorney, Agent, or Firm* — Stetina Brunda Garred & Brucker

(57) **CLAIM**

The ornamental design for a magnetic mounting system with angled stalk, as shown and described.

DESCRIPTION

FIG. 1 is a top perspective view showing the magnetic mounting system with angled stalk.

FIG. 2 is a front view thereof;

FIG. 3 is a left side view thereof;

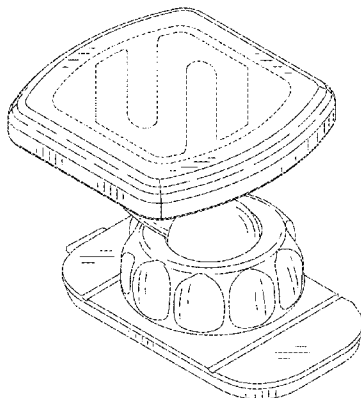
FIG. 4 is a top plan view thereof;

FIG. 5 is a bottom plan view thereof; and,

FIG. 6 is rear view thereof.

The broken lines in the drawings illustrate portions of the magnetic mounting system with angled stalk which form no part of the claimed design.

1 Claim, 2 Drawing Sheets



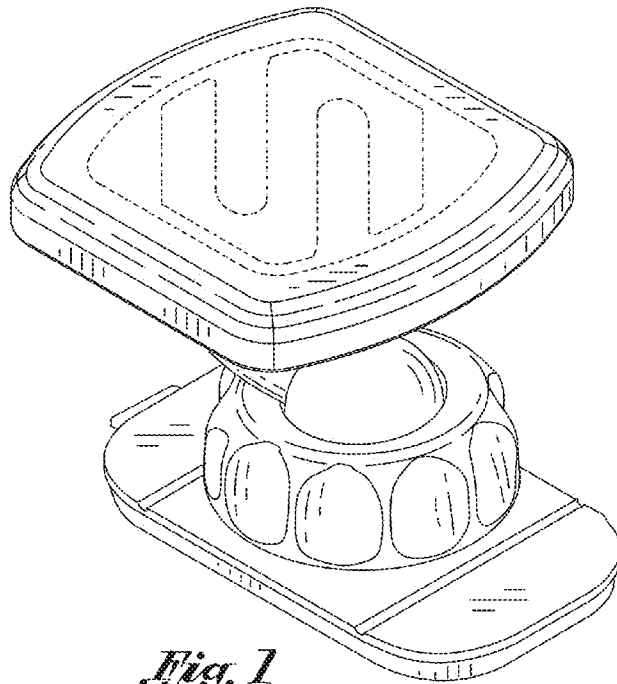


Fig. 1

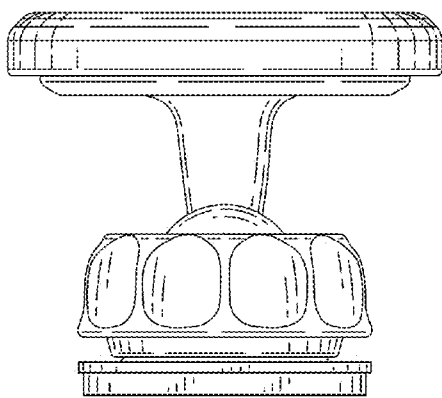


Fig. 2

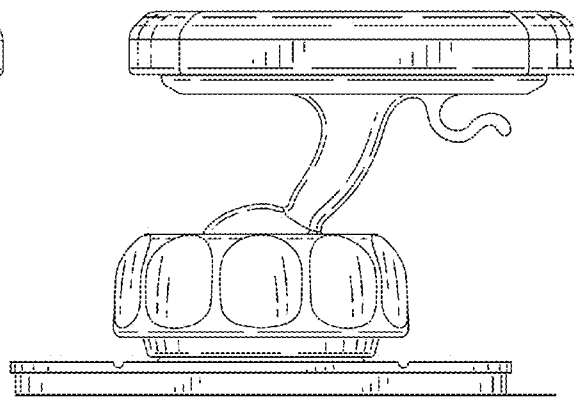


Fig. 3

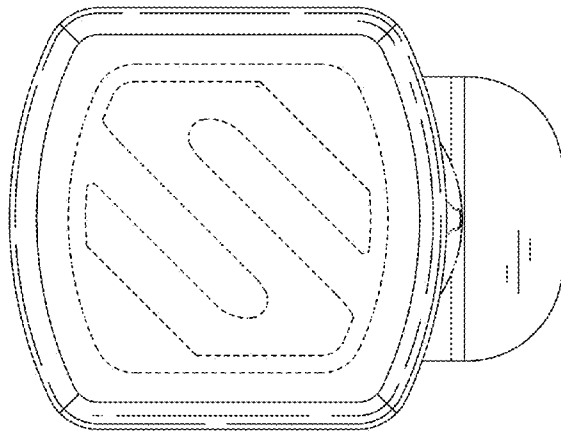


Fig. 1

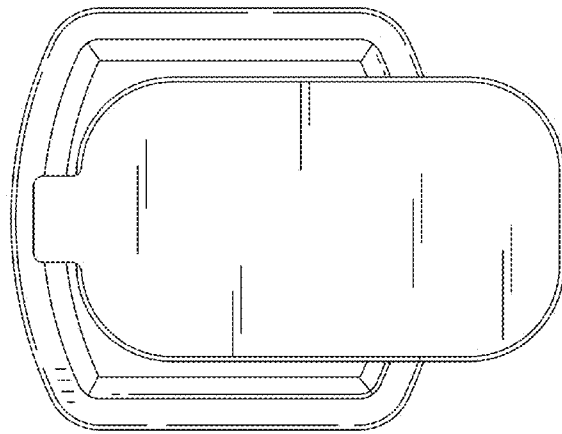


Fig. 5

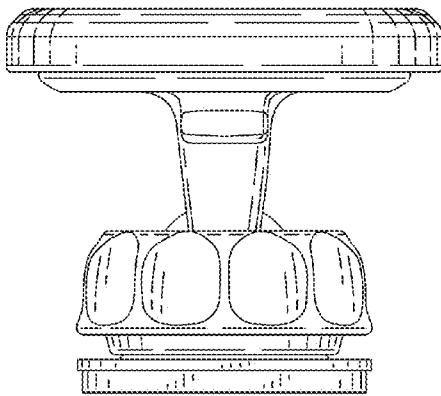


Fig. 6