



US00D737751S

(12) **United States Design Patent**  
**Bourel et al.**

(10) **Patent No.:** **US D737,751 S**

(45) **Date of Patent:** **\*\* \*Sep. 1, 2015**

- (54) **TIRE**
- (71) Applicant: **The Goodyear Tire & Rubber Company, Akron, OH (US)**
- (72) Inventors: **Brian Rene Bourel, Schieren (LU); Matthieu Pingonat, Fameck (FR); Christian Andre Louis Duchene, Garnich (LU); William Urbano Villamizar, Mersch (LU); Serge Guillaume Feltes, Hagondange (FR)**
- (73) Assignee: **The Goodyear Tire & Rubber Company, Akron, OH (US)**
- (\* ) Notice: This patent is subject to a terminal disclaimer.
- (\*\*) Term: **14 Years**

D577,655 S	9/2008	Heinen .....	D12/521
D578,955 S	10/2008	Fontaine et al. ....	D12/524
D584,213 S	1/2009	Shinkai .....	D12/519
D586,725 S	2/2009	Fontaine et al. ....	D12/519
D599,276 S	9/2009	Fontaine et al. ....	D12/519
D600,193 S	9/2009	Nukala et al. ....	D12/521
D601,939 S	10/2009	Fontaine et al. ....	D12/519
D607,809 S	1/2010	Fontaine et al. ....	D12/523
D609,161 S	2/2010	Fontaine et al. ....	D12/517
D612,321 S *	3/2010	Bott et al. ....	D12/523
D623,586 S *	9/2010	Fontaine et al. ....	D12/523
D630,998 S *	1/2011	Schmalix et al. ....	D12/519
D633,433 S	3/2011	Sieber et al. ....	D12/519
D634,699 S	3/2011	Fontaine et al. ....	D12/517

(Continued)

*Primary Examiner* — Stacia Cadmus

(74) *Attorney, Agent, or Firm* — Richard B. O’Planick

(57) **CLAIM**

The ornamental design for a tire, as shown and described.

**DESCRIPTION**

FIG. 1 is a perspective view of a tire showing our new design, it being understood that the pattern repeats uniformly throughout the circumference of the tread;

FIG. 2 is a front elevational view thereof;

FIG. 3 is a right side elevational view thereof;

FIG. 4 is a left side elevational view thereof;

FIG. 5 is an enlarged fragmentary front elevational view thereof;

FIG. 6 is a perspective view of a second embodiment of a tire showing our new design, it being understood that the pattern repeats uniformly throughout the circumference of the tread; and,

FIG. 7 is a front elevational view of a second embodiment, it being understood that an enlarged fragmentary view thereof would be substantially identical to that shown in FIG. 5, with the exception of the inclusion of the sidewall in solid lines.

In the drawings, the broken lines showing of the sidewall, inner bead and the peripheral boundary between the tire tread and the sidewall in FIGS. 1 through 4 depict environmental subject matter and form no part of the claimed design.

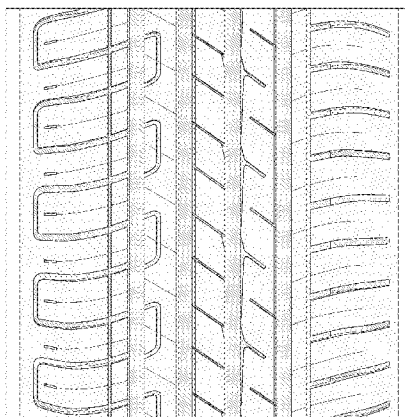
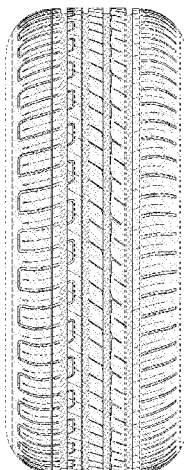
**1 Claim, 7 Drawing Sheets**

- (21) Appl. No.: **29/461,520**
- (22) Filed: **Jul. 24, 2013**
- (51) **LOC (10) Cl.** ..... **12-15**
- (52) **U.S. Cl.**  
USPC ..... **D12/521; D12/523**
- (58) **Field of Classification Search**  
USPC ..... D12/505–532  
CPC ..... B60C 11/0304; B60C 11/0302; B60C 11/0306; B60C 11/0309; B60C 11/0318; B60C 11/0311; B60C 11/042; B60C 11/13; B60C 11/00; B60C 11/11; B60C 11/12  
See application file for complete search history.

(56) **References Cited**

**U.S. PATENT DOCUMENTS**

D334,360 S	3/1993	Graas et al. ....	D12/146
D432,956 S	10/2000	Ricquet .....	D12/141
D482,323 S	11/2003	Corbin et al. ....	D12/584
D490,045 S	5/2004	Delu et al. ....	D12/519
D558,126 S	12/2007	Shavers et al. ....	D12/519
D558,127 S	12/2007	Shavers et al. ....	D12/519
D559,767 S	1/2008	Graas et al. ....	D12/521



(56)

**References Cited**

U.S. PATENT DOCUMENTS

D635,911 S 4/2011 Sieber et al. .... D12/521  
D639,722 S 6/2011 Sieber et al. .... D12/532  
D643,799 S \* 8/2011 Berryman et al. .... D12/523  
D644,593 S 9/2011 Fontaine et al. .... D12/523

D668,203 S \* 10/2012 Rittweger et al. .... D12/521  
D668,598 S \* 10/2012 Hughes et al. .... D12/521  
D692,371 S \* 10/2013 Fontaine et al. .... D12/517  
D696,182 S \* 12/2013 Sakamoto ..... D12/519  
D715,214 S \* 10/2014 Fontaine et al. .... D12/523

\* cited by examiner

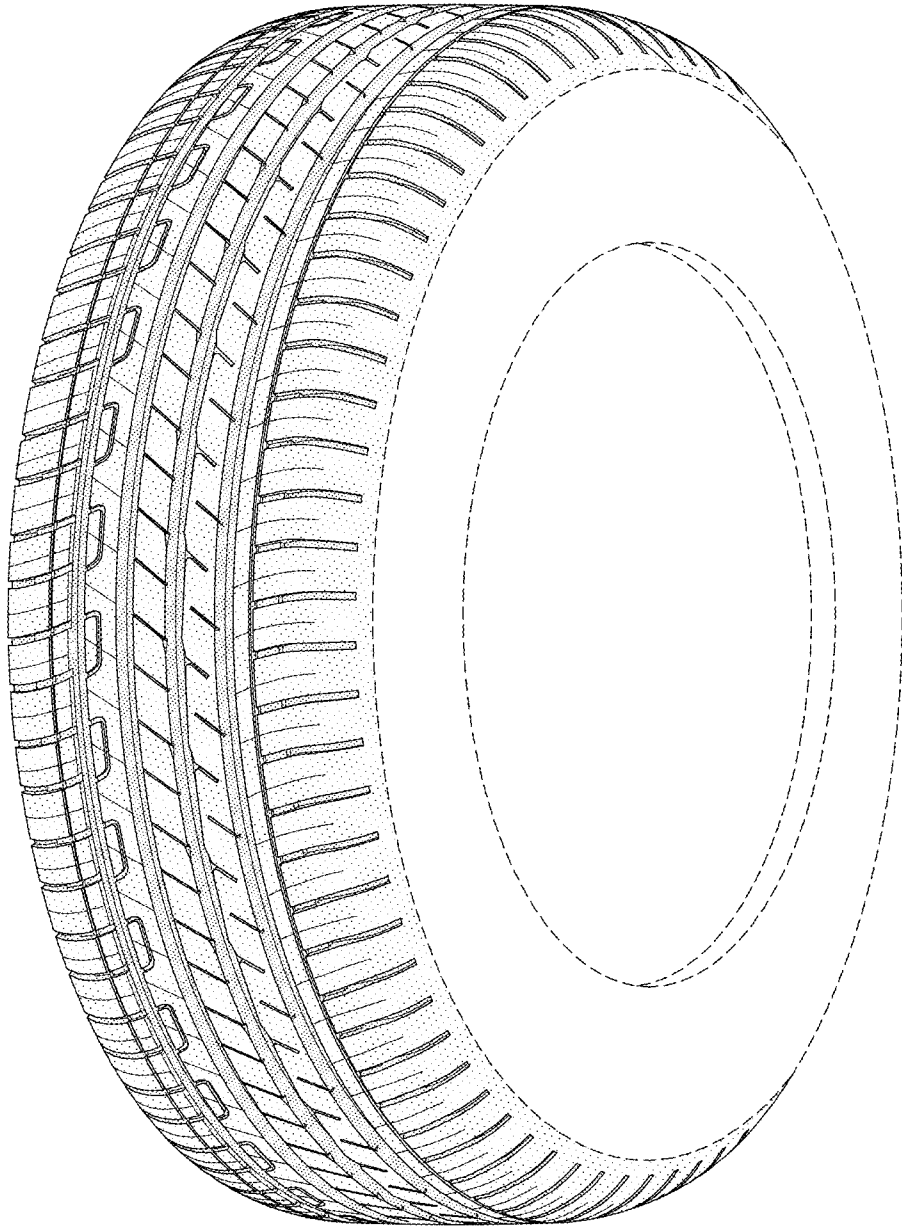


FIG-1

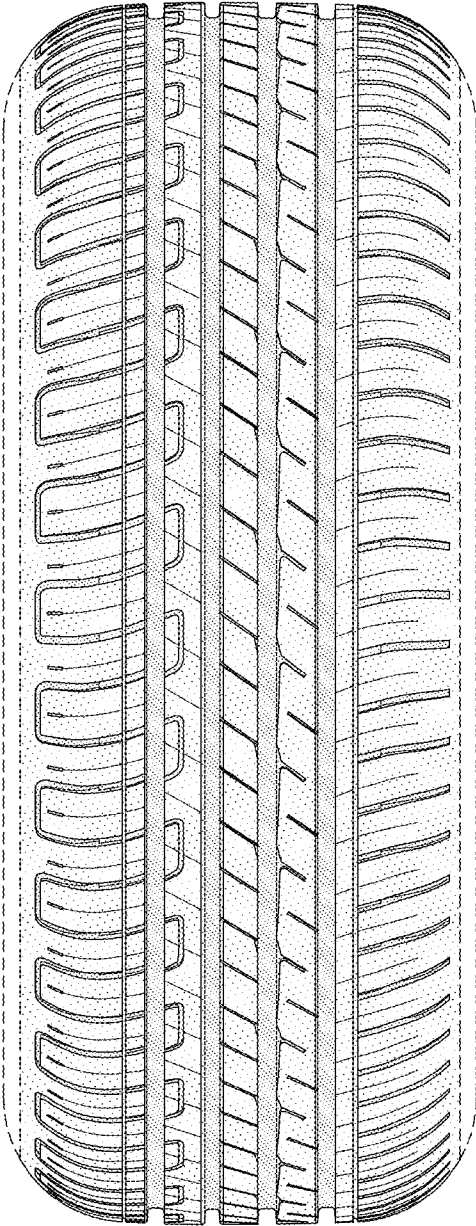


FIG-2

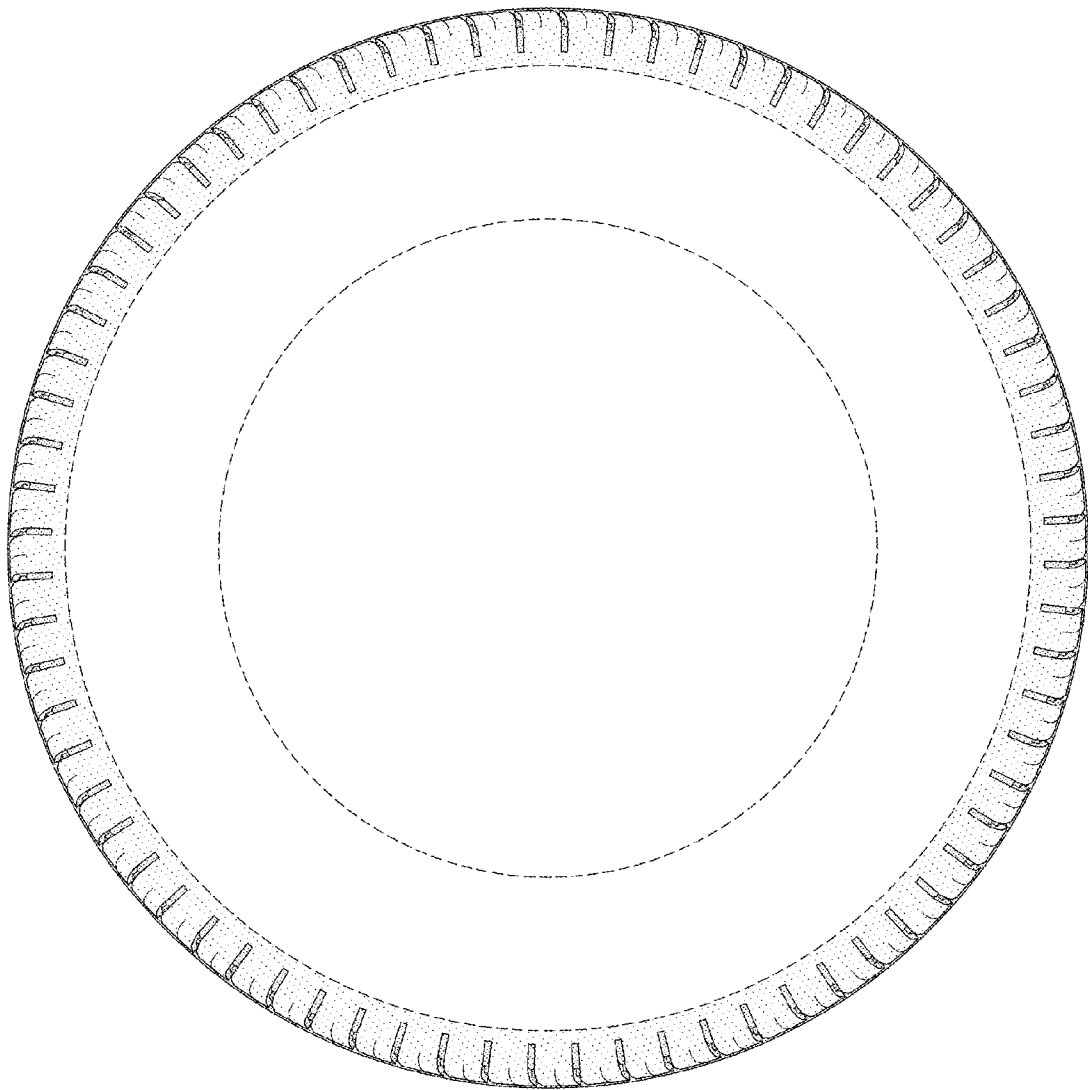


FIG-3

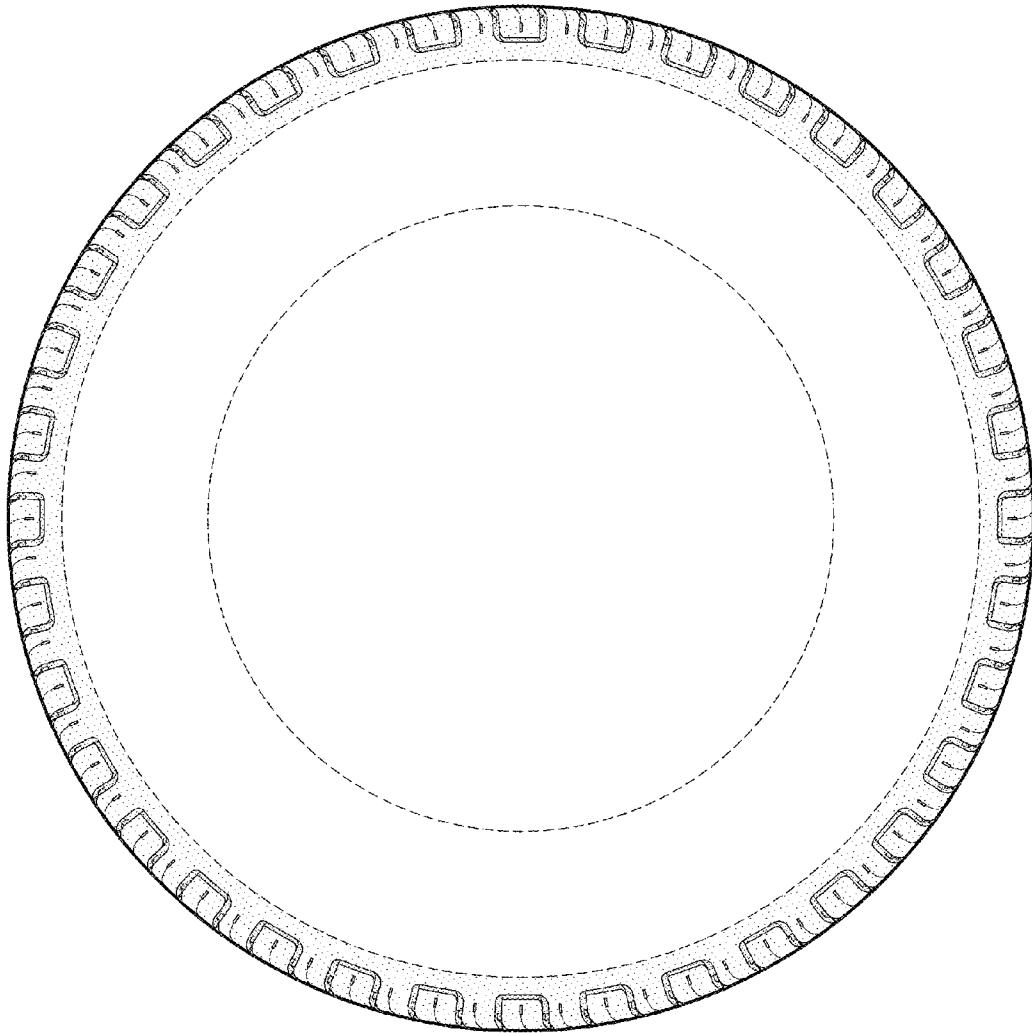


FIG-4

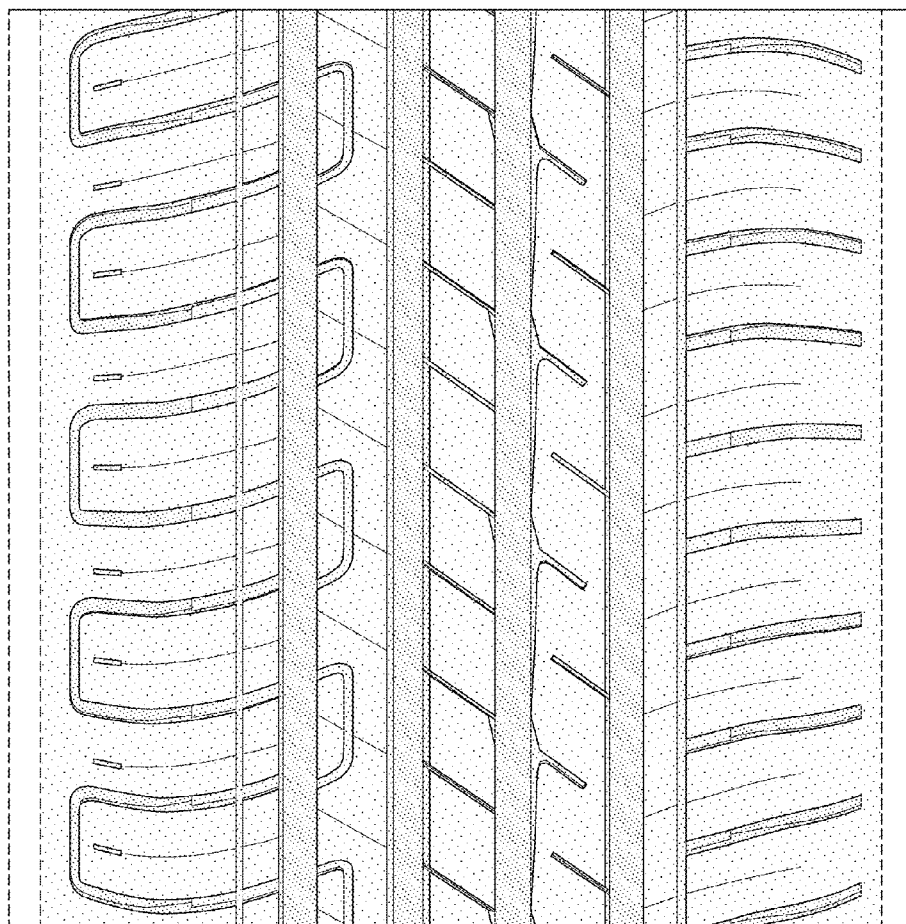


FIG-5

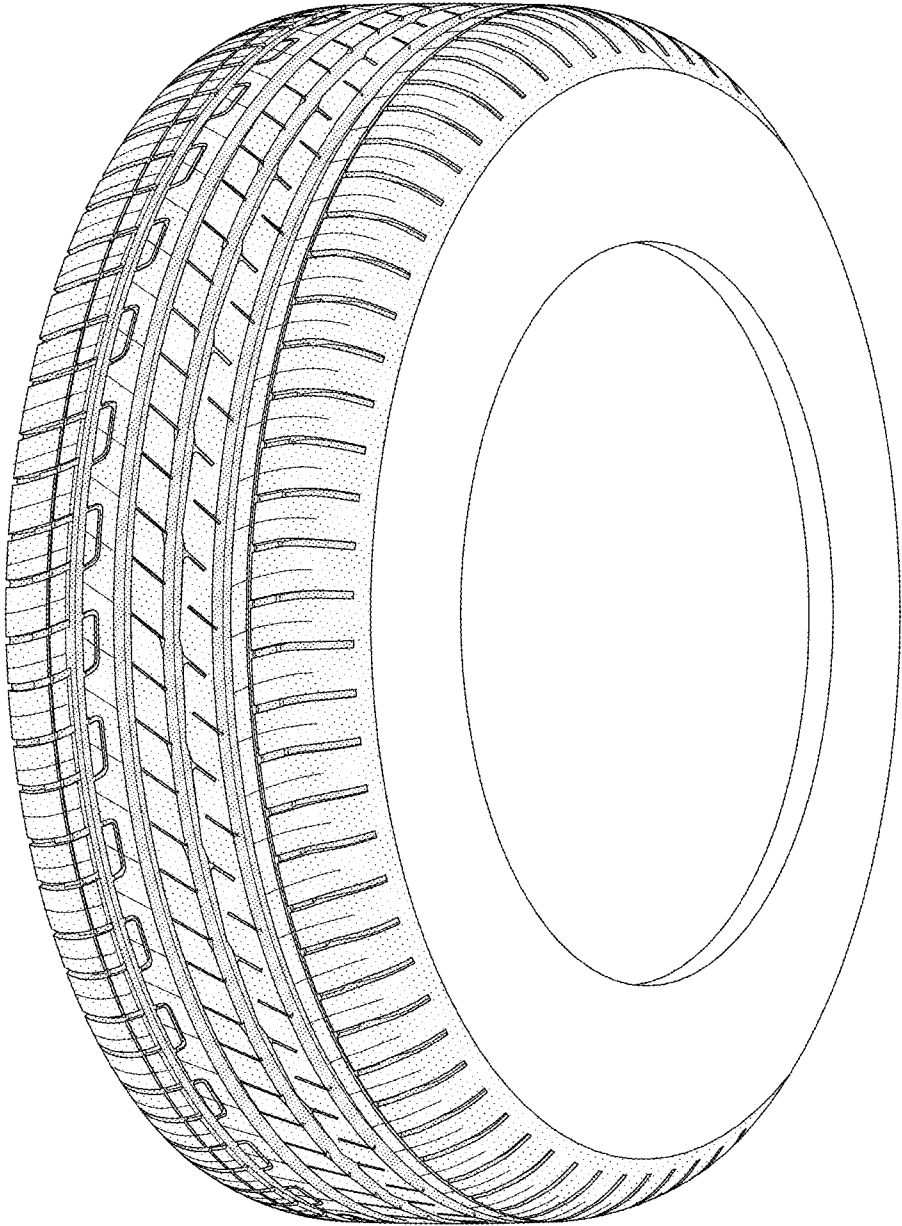


FIG-6

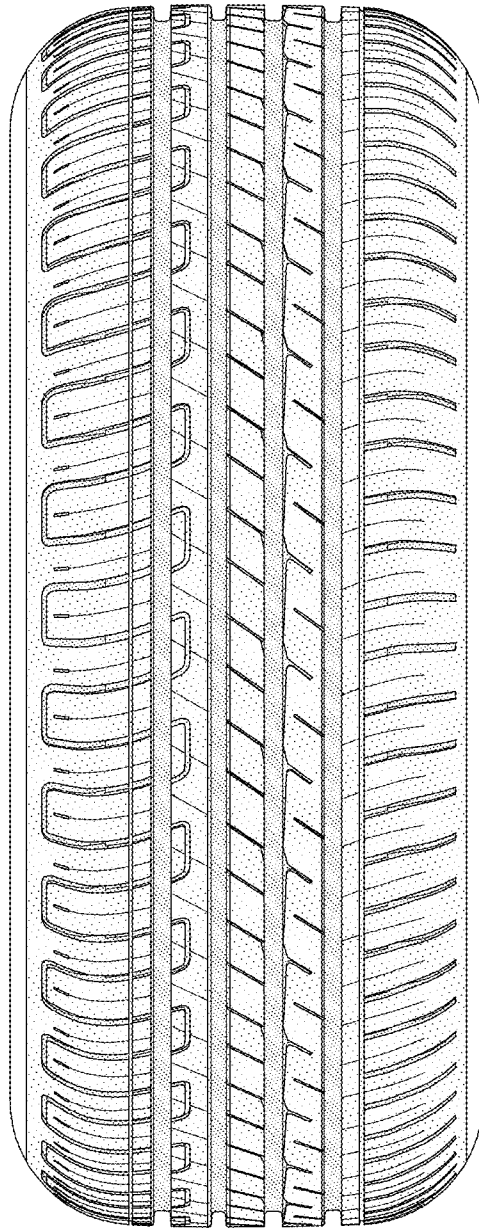


FIG-7