



US00D338088S

United States Patent [19] Bailey

[11] Patent Number: **Des. 338,088**

[45] Date of Patent: **** Aug. 3, 1993**

[54] **COMBINED PET FOOD AND WATER DISH**

[76] Inventor: **Jack Bailey**, 1581 SW. Latshaw Ave., Port St. Lucie, Fla. 34953

[**] Term: **14 Years**

[21] Appl. No.: **843,956**

[22] Filed: **Feb. 28, 1992**

[52] U.S. Cl. **D30/131**

[58] Field of Search 119/51.5, 61; D30/121, D30/122, 129-133; D7/558, 555, 357, 409, 546

[56] **References Cited**

U.S. PATENT DOCUMENTS

D. 96,552	8/1935	Houghton, Jr.	D30/129
D. 103,562	3/1937	Cook	D30/129
D. 105,812	8/1937	Siekert	D30/130
D. 232,564	8/1974	Kissin	D30/129
D. 272,567	2/1984	Anderson	D30/121
D. 291,527	8/1987	Notbohm	D7/546
D. 296,485	6/1988	Peterson	D30/130
D. 312,895	12/1990	Goetz	D30/129
D. 313,486	1/1991	Conner	D30/129
D. 321,498	11/1991	Jones	D30/121
D. 326,587	6/1992	Convertini	D7/555

982,411	1/1911	Coble	119/52.1
3,405,685	10/1968	Harrell	119/61
4,085,706	4/1978	Evans	119/61

OTHER PUBLICATIONS

Popular Mechanics; Dec. 1946; p. 193; Self-Feeder for Rabbits; (bottom lower right corner).
Country Gentleman; Jun. 19, 1915; p. 1059; A Nail-Keg Hopper.

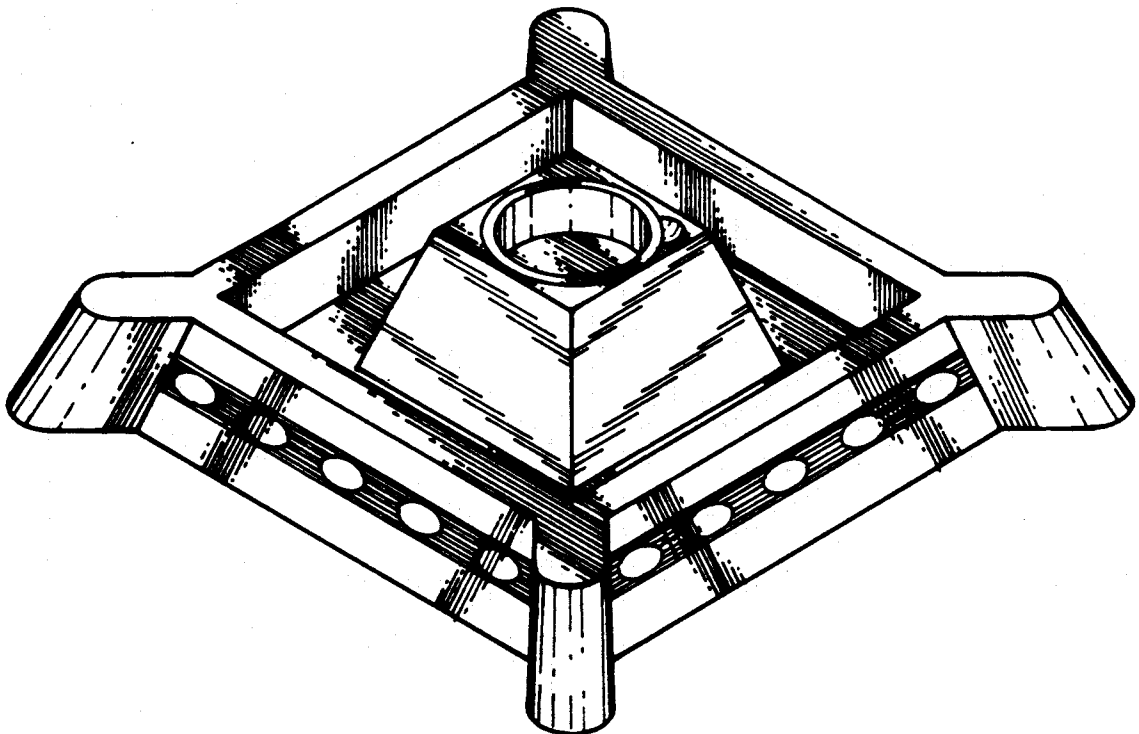
Primary Examiner—A. Hugo Word
Assistant Examiner—CathyAnne MacCormac
Attorney, Agent, or Firm—Terry M. Gernstein

[57] **CLAIM**

The ornamental design for a combined pet food and water dish, as shown and described.

DESCRIPTION

FIG. 1 is a perspective view of the combined pet food and water dish embodying the design of the present invention;
FIG. 2 is a typical elevational view thereof, all elevational views being identical to the view shown in FIG. 2;
FIG. 3 is a top plan view thereof; and
FIG. 4 is a bottom view thereof.



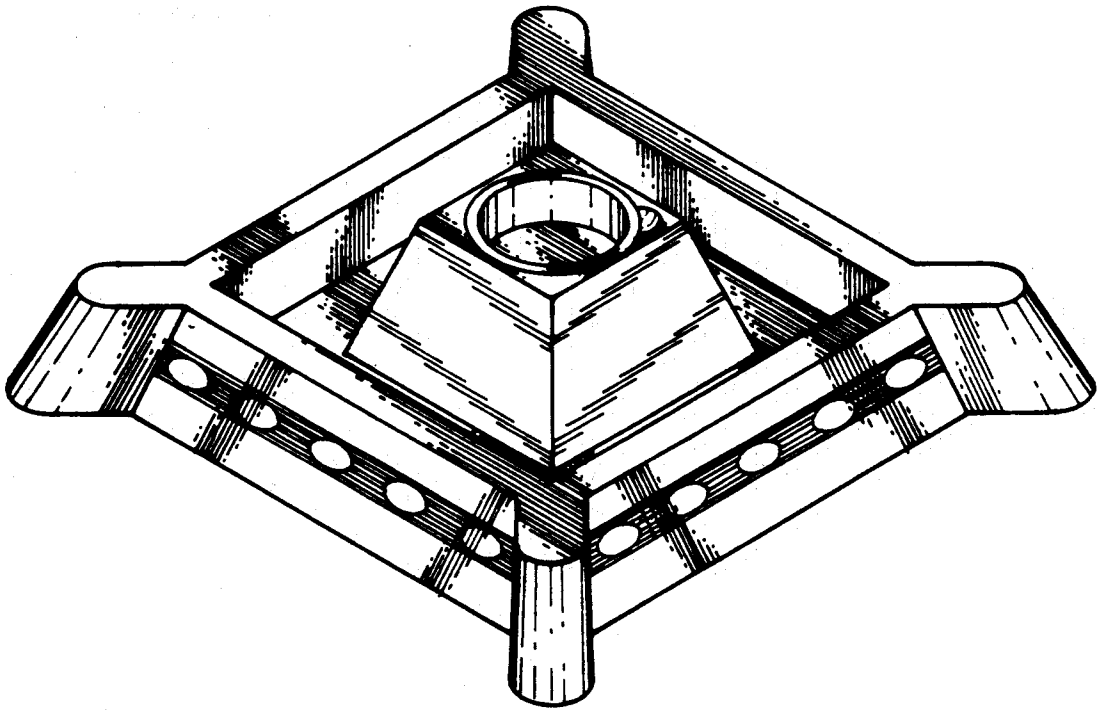


FIG. 1

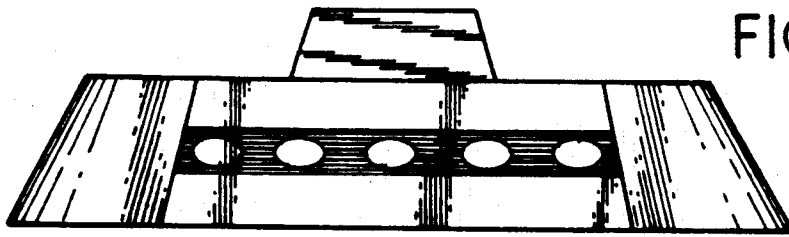


FIG. 2

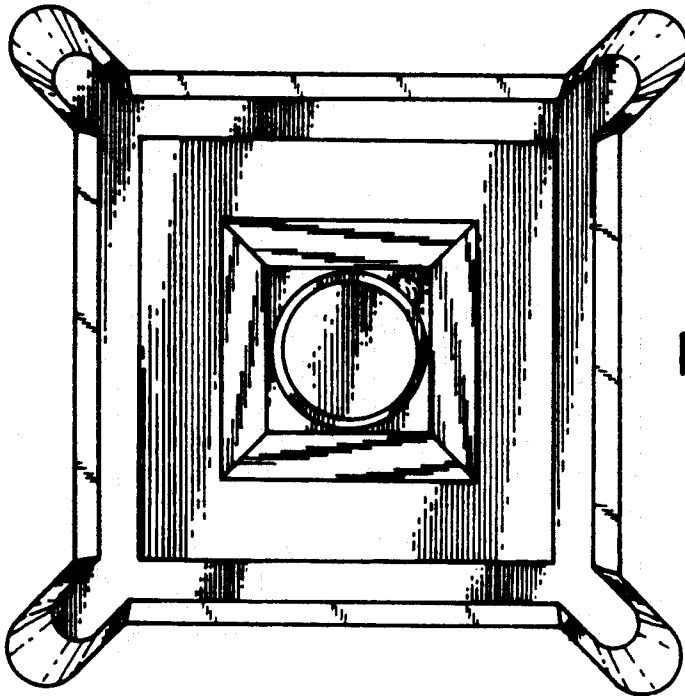


FIG. 3

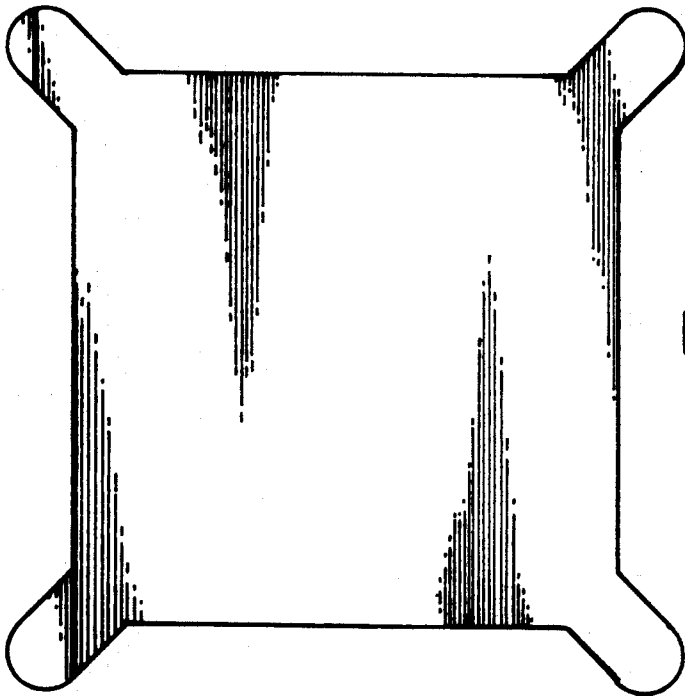


FIG. 4