



US00D672012S

(12) **United States Design Patent**
Brose et al.

(10) **Patent No.:** **US D672,012 S**

(45) **Date of Patent:** **** Dec. 4, 2012**

(54) **CARTRIDGE SPRAY GUN**

(75) Inventors: **Jens Brose**, Ottmarsheim (DE); **Peter Dettlaff**, Remseck (DE); **Ewald Schmon**, Grafenberg (DE)

(73) Assignee: **SATA GmbH & Co. KG**, Kornwestheim (DE)

(**) Term: **14 Years**

(21) Appl. No.: **29/409,860**

(22) Filed: **Dec. 29, 2011**

(30) **Foreign Application Priority Data**

Jun. 30, 2011 (DE) 40 2011 003 344

(51) **LOC (9) Cl.** **23-01**

(52) **U.S. Cl.** **D23/226**

(58) **Field of Classification Search** D23/213,
D23/223, 226; 239/291, 690, 690.1

See application file for complete search history.

(56) **References Cited**

U.S. PATENT DOCUMENTS

| | | | | |
|--------------|---------|---------------|-------|---------|
| D552,715 S * | 10/2007 | Schmon et al. | | D23/226 |
| D563,505 S * | 3/2008 | Schmon et al. | | D23/226 |
| D575,374 S * | 8/2008 | Huang | | D23/226 |
| D607,972 S * | 1/2010 | Wang | | D23/226 |

| | | | | |
|--------------|--------|------|-------|---------|
| D614,731 S * | 4/2010 | Wang | | D23/226 |
| D637,269 S * | 5/2011 | Wang | | D23/226 |
| D641,067 S * | 7/2011 | Wang | | D23/226 |

* cited by examiner

Primary Examiner — Robin V Webster

(74) *Attorney, Agent, or Firm* — Walter Ottesen

(57) **CLAIM**

The ornamental design for a cartridge spray gun, as shown and described.

DESCRIPTION

FIG. 1 is a perspective view of a cartridge spray gun of our new design;

FIG. 2 is a right side elevation view of the spray gun of FIG. 1;

FIG. 3 is a left side elevation view of the spray gun of FIG. 1;

FIG. 4 is a front elevation view of the spray gun of FIG. 1;

FIG. 5 is a rear elevation view of the spray gun of FIG. 1;

FIG. 6 is a top plan view of the spray gun of FIG. 1;

FIG. 7 is a bottom plan view of the spray gun of FIG. 1;

FIG. 8 is a perspective view of a first alternate embodiment of the cartridge spray gun of FIGS. 1 to 7;

FIG. 9 is a right side elevation view of the spray gun of FIG. 8;

FIG. 10 is a left side elevation view of the spray gun of FIG. 8;

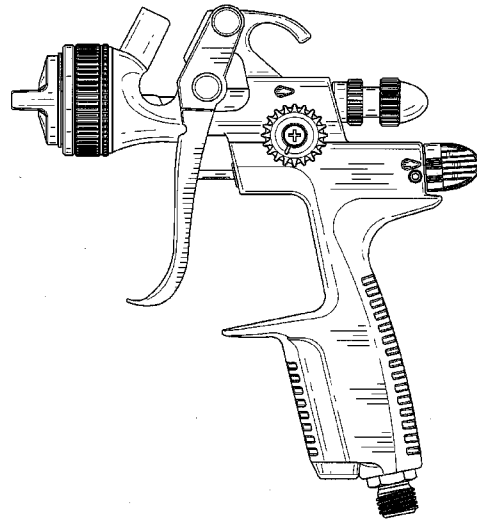
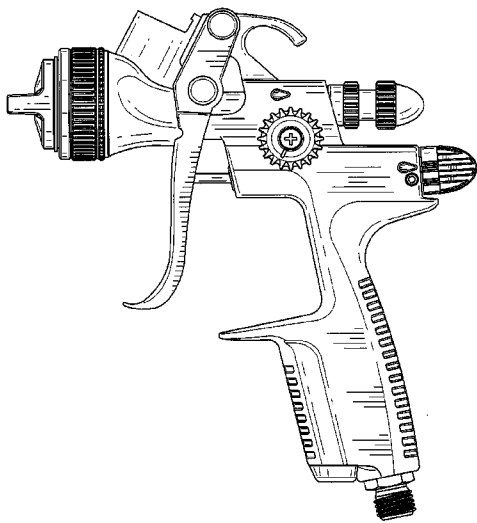
FIG. 11 is a front elevation view of the spray gun of FIG. 8;

FIG. 12 is a rear elevation view of the spray gun of FIG. 8;

FIG. 13 is a top plan view of the spray gun of FIG. 8; and,

FIG. 14 is a bottom plan view of the spray gun of FIG. 8.

1 Claim, 10 Drawing Sheets



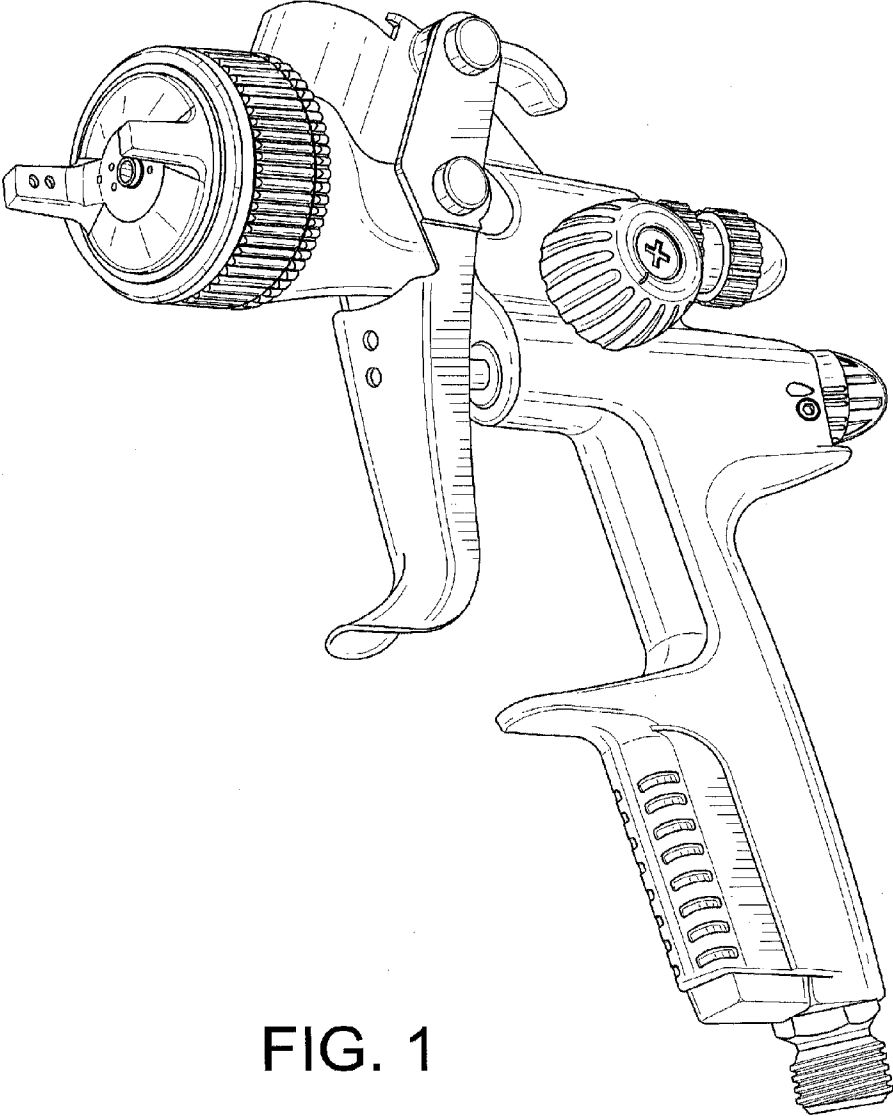


FIG. 1

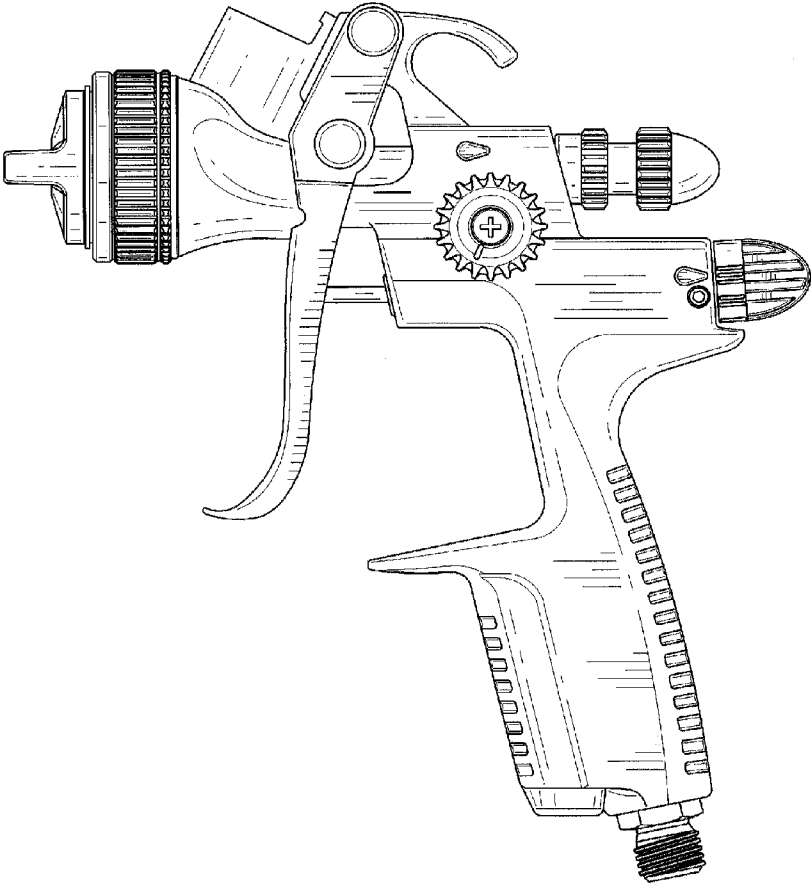


FIG. 2

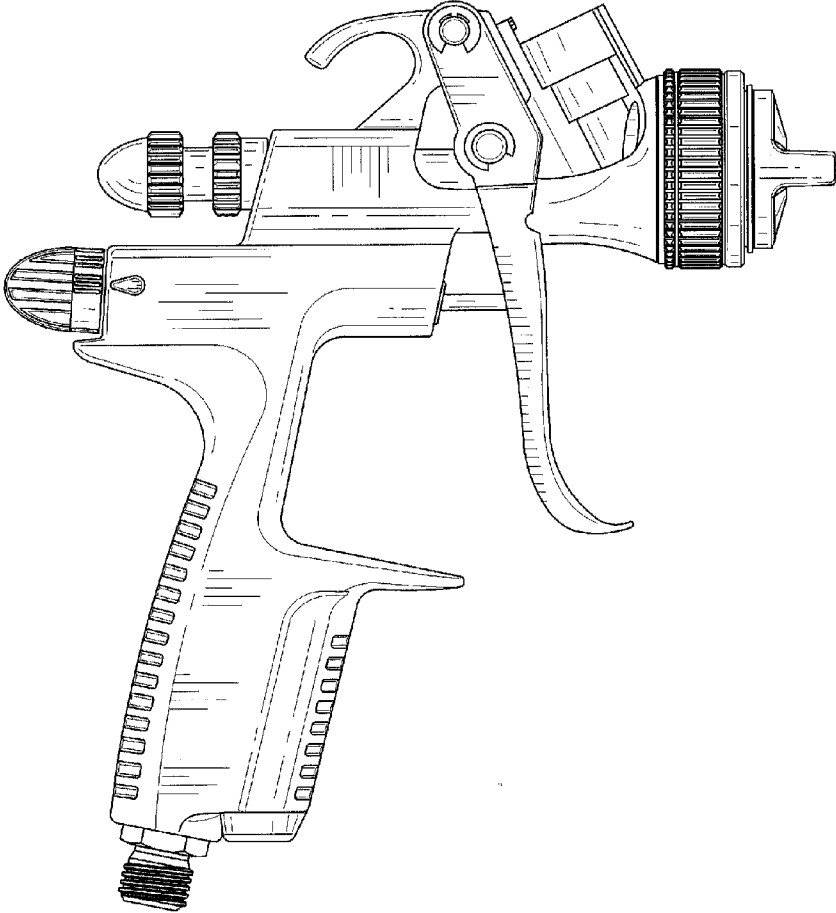


FIG. 3

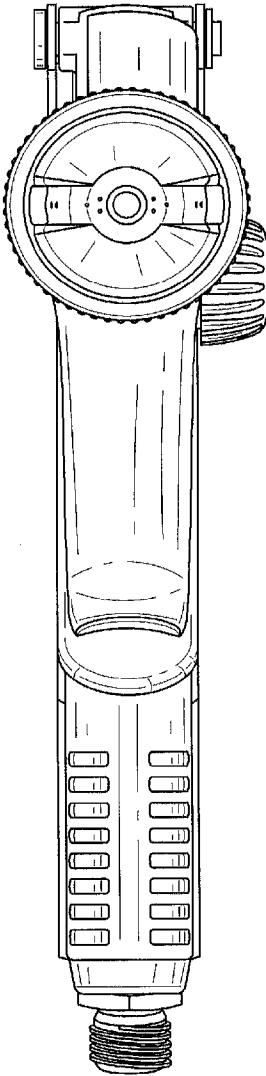


FIG. 4

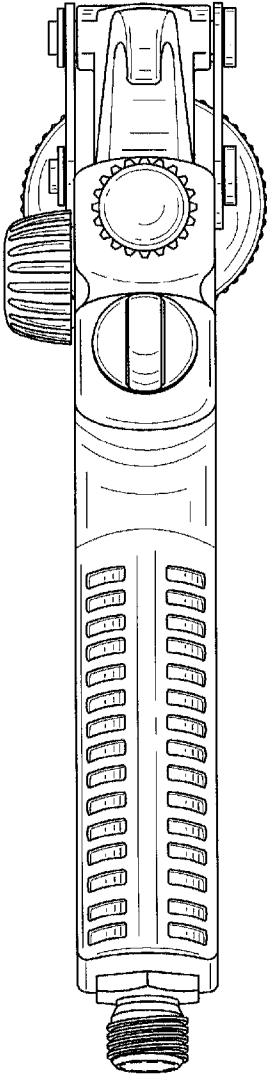


FIG. 5

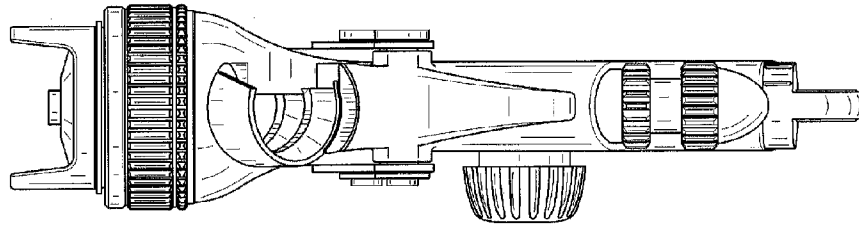


FIG. 6

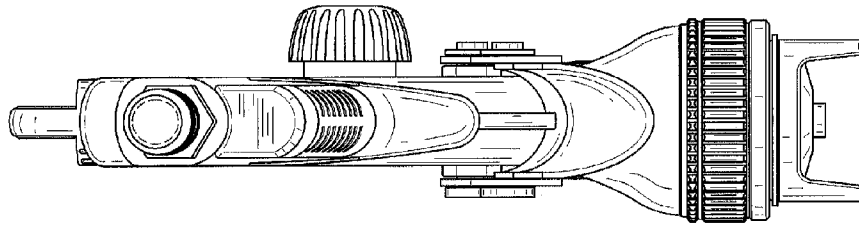


FIG. 7

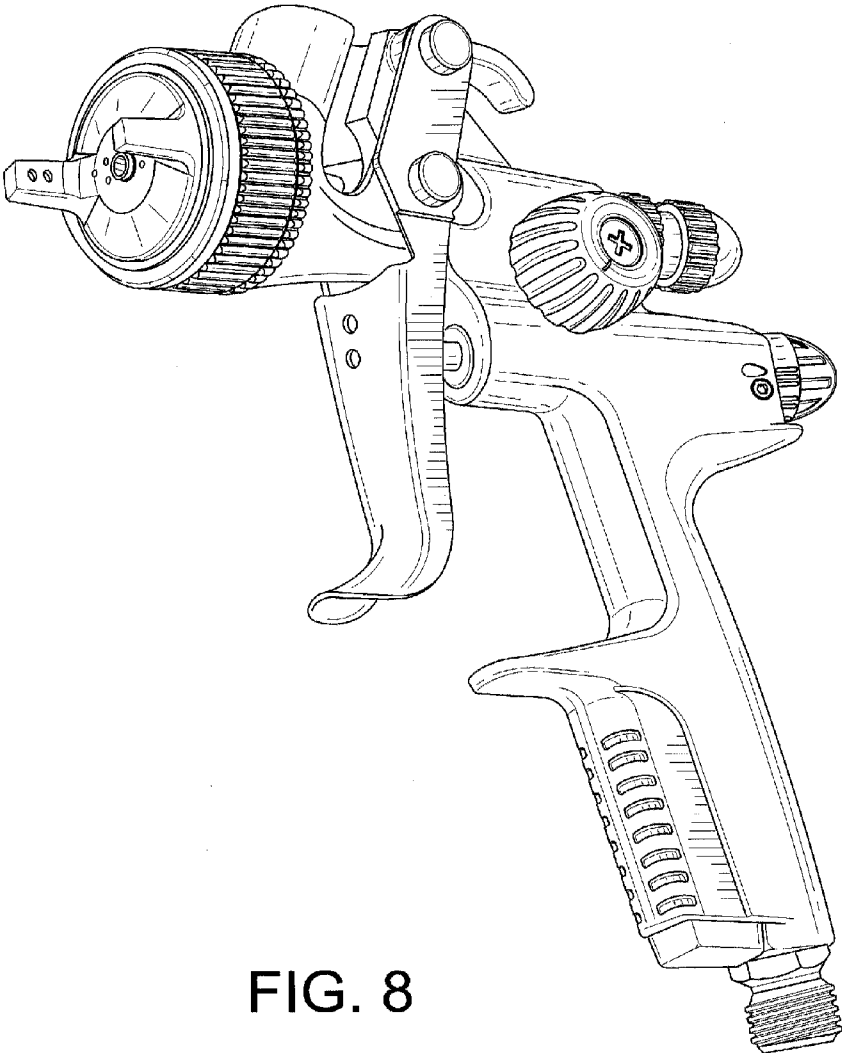


FIG. 8

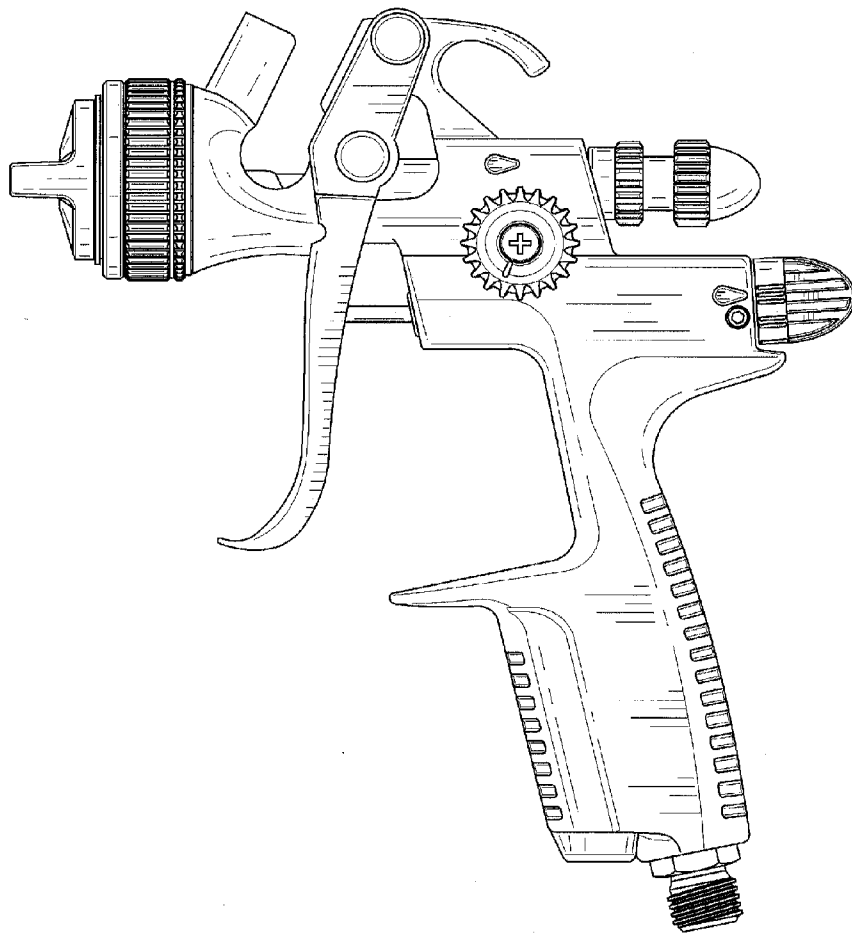


FIG. 9

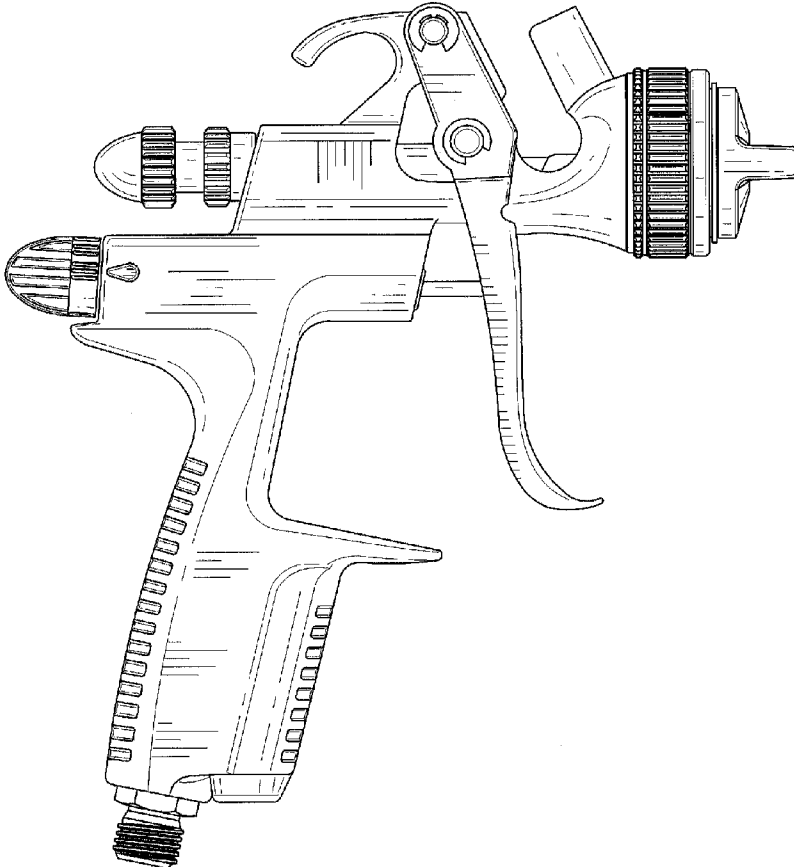


FIG. 10

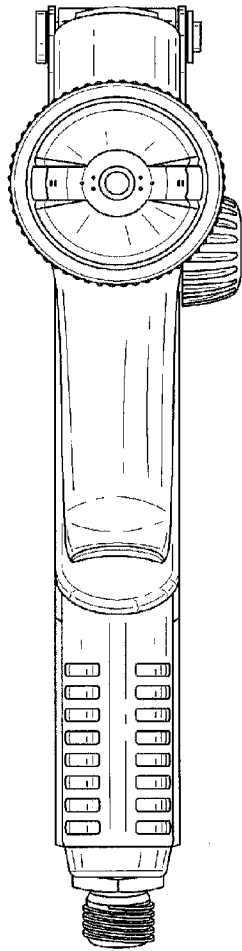


FIG. 11

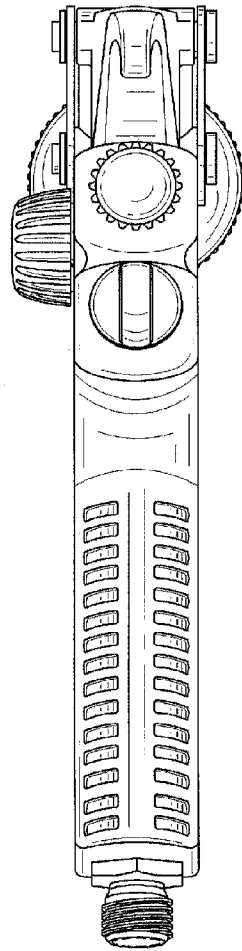


FIG. 12

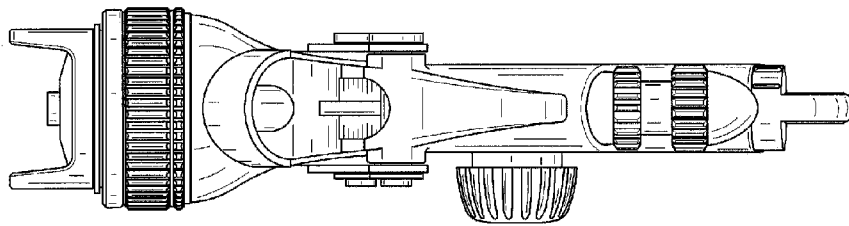


FIG. 13

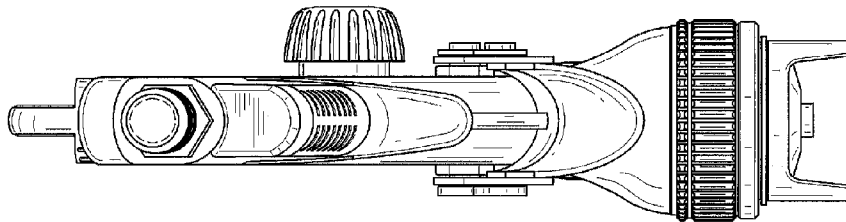


FIG. 14