



US00D807324S

(12) **United States Design Patent**  
**Cheney et al.**

(10) **Patent No.:** **US D807,324 S**

(45) **Date of Patent:** **\*\* \*Jan. 9, 2018**

(54) **WIRELESS SPEAKER SYSTEM**

2499/11; H04R 2499/13; H04R 2499/15;  
H04S 3/00; H04S 7/30

See application file for complete search history.

(71) Applicant: **Braven LC**, Provo, UT (US)

(72) Inventors: **John Craig Cheney**, Orem, UT (US);  
**Andy Fathollahi**, Corona Del Mar, CA  
(US)

(56) **References Cited**

U.S. PATENT DOCUMENTS

D239,734 S *	4/1976	Vong .....	D14/192
D256,002 S *	7/1980	Price .....	D10/120
D334,418 S	3/1993	Woo .....	
D336,088 S *	6/1993	Fisher .....	D14/204

(Continued)

(73) Assignee: **BRAVEN, LC**, Orem, UT (US)

(\* ) Notice: This patent is subject to a terminal disclaimer.

OTHER PUBLICATIONS

Phil Dzikij, "Review: Braven BRV-PRO Bluetooth Speaker",  
printed from web Jan. 21, 2016, <http://www.wilounge.com/index.php/reviews/entry/braven-brv-pro-bluetooth-speaker>.

(Continued)

(\*\*) Term: **14 Years**

*Primary Examiner* — Keli L Hill

(21) Appl. No.: **29/522,866**

(74) *Attorney, Agent, or Firm* — Manatt, Phelps &  
Phillips, LLP

(22) Filed: **Apr. 2, 2015**

(51) **LOC (11) Cl.** ..... **14-03**

(52) **U.S. Cl.**  
USPC ..... **D14/214**

(57) **CLAIM**

The ornamental design for a wireless speaker system, as shown and described.

(58) **Field of Classification Search**

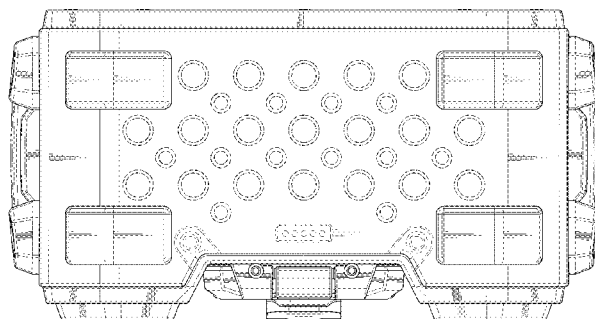
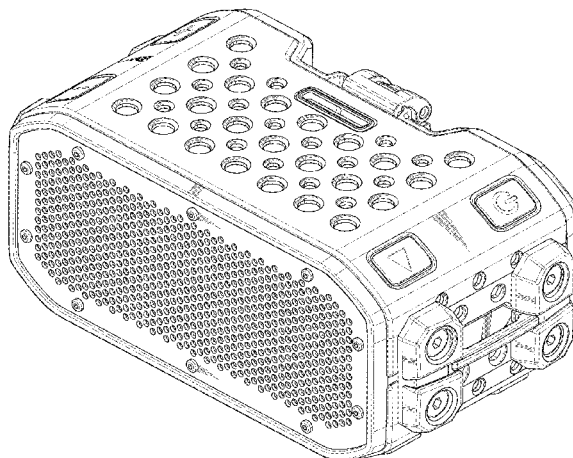
USPC ..... D14/167, 168, 170–172, 188, 194–196,  
D14/204, 207, 209.1, 210–216, 219, 221,  
D14/222, 224, 239, 496; 181/143, 144,  
181/147, 148, 150, 153, 157, 198, 199;  
381/300–303, 306, 332, 333, 336, 345,  
381/361–364, 386–388; 369/6–12

CPC .... B60R 11/0217; G06F 1/1688; H04M 1/03;  
H04M 1/035; H04R 1/02; H04R 1/06;  
H04R 1/021; H04R 1/025; H04R 1/026;  
H04R 1/028; H04R 1/105; H04R 1/323;  
H04R 1/403; H04R 1/2803; H04R  
1/2834; H04R 5/02; H04R 7/20; H04R  
9/06; H04R 9/025; H04R 2201/021;  
H04R 2400/00; H04R 2201/07; H04R

**DESCRIPTION**

FIG. 1 is a perspective view of a wireless speaker system showing one embodiment of a new design;  
FIG. 2 is a front view of the wireless speaker system of FIG. 1;  
FIG. 3 is a rear view of the wireless speaker system of FIG. 1;  
FIG. 4 is a right side view of the wireless speaker system of FIG. 1;  
FIG. 5 is a left side view of the wireless speaker system of FIG. 1;  
FIG. 6 is a top end view of the wireless speaker system of FIG. 1; and,  
FIG. 7 is a bottom end view of the wireless speaker system of FIG. 1;

(Continued)



The dot-dot-dash broken lines seen in FIG. 3 represent the bounds of the claimed design while all other broken lines are included for the purpose of illustrating portions of the wireless speaker system; the broken lines form no part of the claimed design.

**1 Claim, 7 Drawing Sheets**

(56)

**References Cited**

U.S. PATENT DOCUMENTS

D446,785 S \* 8/2001 Ohta ..... D14/216  
 D452,490 S 12/2001 Shintani .....  
 D489,707 S \* 5/2004 Kobayashi ..... D14/214  
 D510,927 S 10/2005 Harris et al.  
 D533,163 S \* 12/2006 Takase ..... D14/215  
 D584,288 S 1/2009 Kim .....  
 D610,571 S \* 2/2010 Jha ..... D14/216  
 D610,573 S \* 2/2010 Joseph ..... D14/216  
 D621,384 S \* 8/2010 Kao ..... D14/214  
 D632,671 S \* 2/2011 Wada ..... D14/216  
 D641,006 S 7/2011 Anthony et al.  
 D641,732 S \* 7/2011 Liner ..... D14/216  
 D655,272 S 3/2012 Kawase et al.  
 D655,691 S \* 3/2012 Stewart, Jr. .... D14/214  
 D659,670 S 5/2012 Goetzen et al.  
 D664,120 S \* 7/2012 Larson ..... D14/215  
 D664,121 S \* 7/2012 Larson ..... D14/215  
 D674,779 S 1/2013 Joseph .....  
 D682,816 S \* 5/2013 Fathollahi ..... D14/250  
 D690,287 S \* 9/2013 Belfanti ..... D14/214  
 D693,417 S \* 11/2013 Kim ..... D21/708

D700,166 S \* 2/2014 Petersen ..... D14/204  
 D704,076 S 5/2014 Poandl .....  
 D704,678 S \* 5/2014 Katsumata ..... D14/203.1  
 D708,165 S \* 7/2014 Woo ..... D14/209.1  
 D710,825 S \* 8/2014 Florczak ..... D14/214  
 D715,766 S 10/2014 Osborn et al.  
 D717,778 S \* 11/2014 Zermeno ..... D14/250  
 D725,078 S \* 3/2015 Wong ..... D14/216  
 D727,292 S \* 4/2015 Anthony ..... D14/214  
 D729,762 S \* 5/2015 Hu ..... D14/194  
 D738,854 S \* 9/2015 Babcock ..... D14/214  
 2015/0096828 A1 \* 4/2015 Fathollahi ..... H04R 1/023  
 181/156

OTHER PUBLICATIONS

Jesse Hollington, "Braven intros new speakers at CES, including the BRV-XXL and BRV-Blade LE", printed from web Jan. 21, 2016, <http://www.ilounge.com/index.php/news/comments/braven-intros-new-speakers-at-ces-including-the-brv-xxl-and-brv-blade-le>.  
 Phil Dzikoy, "Show Report: Incipio/Braven", printed from web Jan. 21, 2016, <http://www.ilounge.com/index.php/ces/report/incipio-braven>.  
 Jeremy Horwitz, "Review: Braven BRV-1 Wireless Bluetooth Speaker", printed from web Jan. 21, 2016, <http://www.ilounge.com/index.php/reviews/entry/braven-brv-1-wireless-bluetooth-speaker/>.  
 Jeremy Horwitz, "Review: Braven BRV-X Bluetooth Wireless Speaker", printed from web Jan. 22, 2016, <http://www.ilounge.com/index.php/reviews/entry/braven-brv-x-bluetooth-wireless-speaker/>.  
 Nick Guy, "Review: Braven BRV-BANK Smart Rugged Portable Power Bank", printed from web Jan. 21, 2016, <http://www.ilounge.com/index.php/reviews/entry/braven-brv-bank-smart-rugged-portable-power-bank/>.

\* cited by examiner

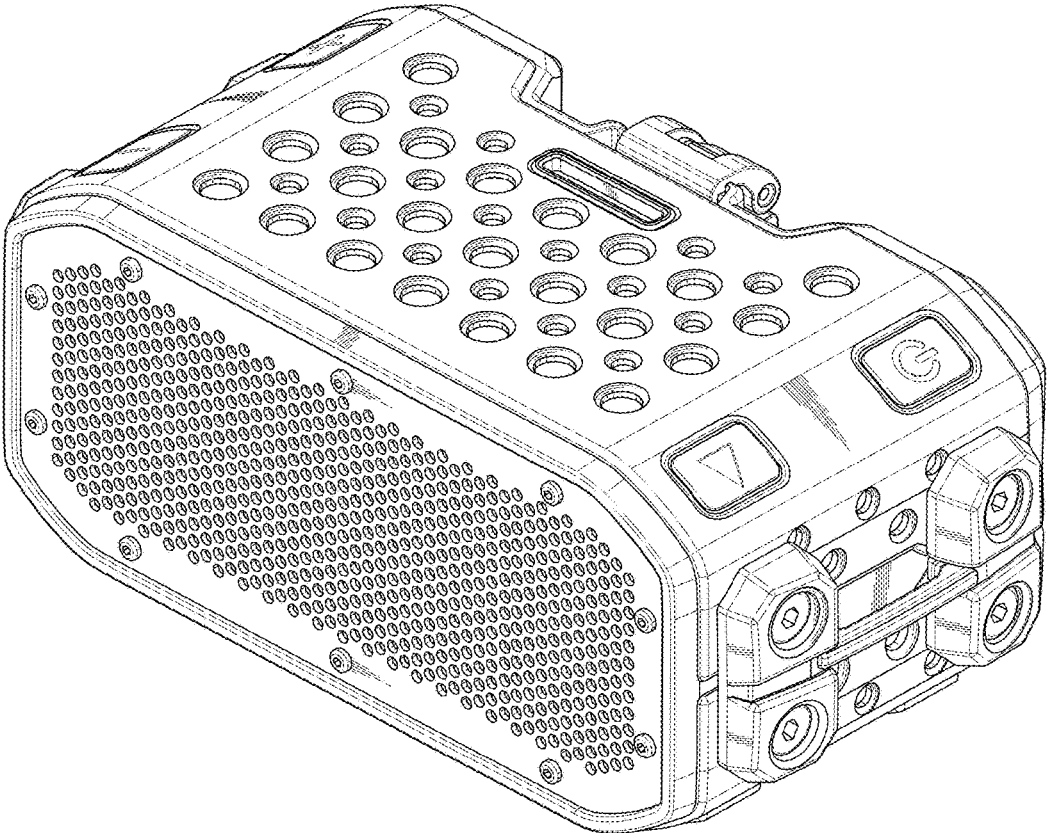


FIG. 1

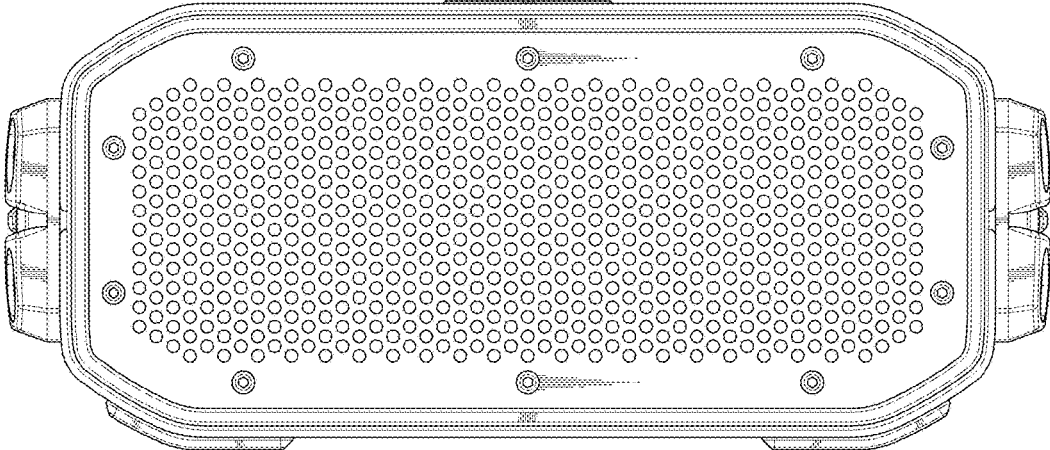


FIG. 2

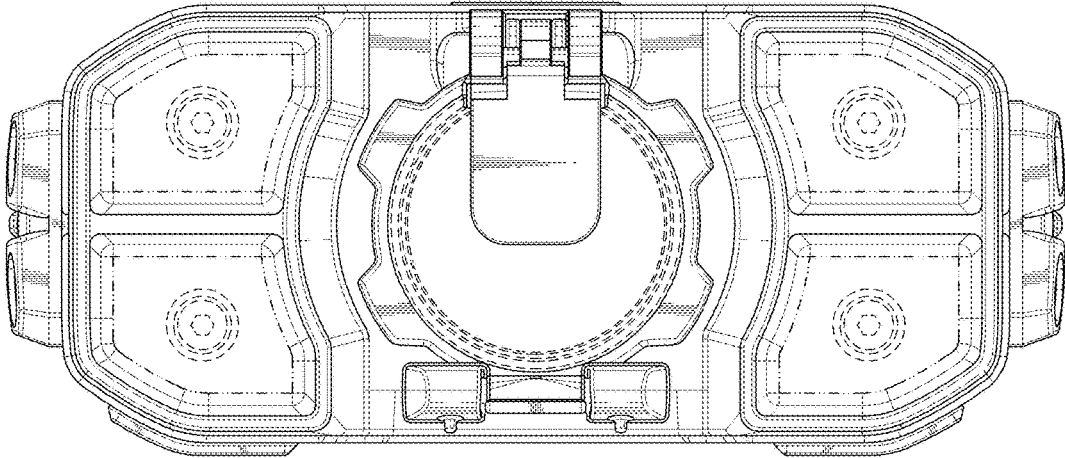


FIG. 3

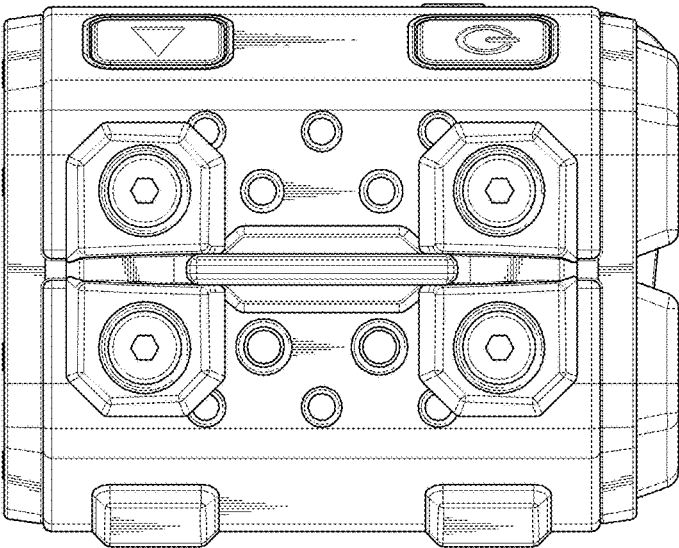


FIG. 4

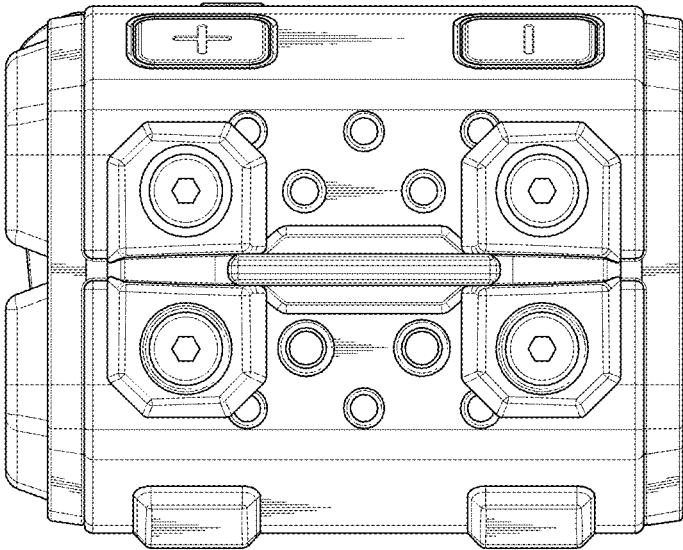


FIG. 5

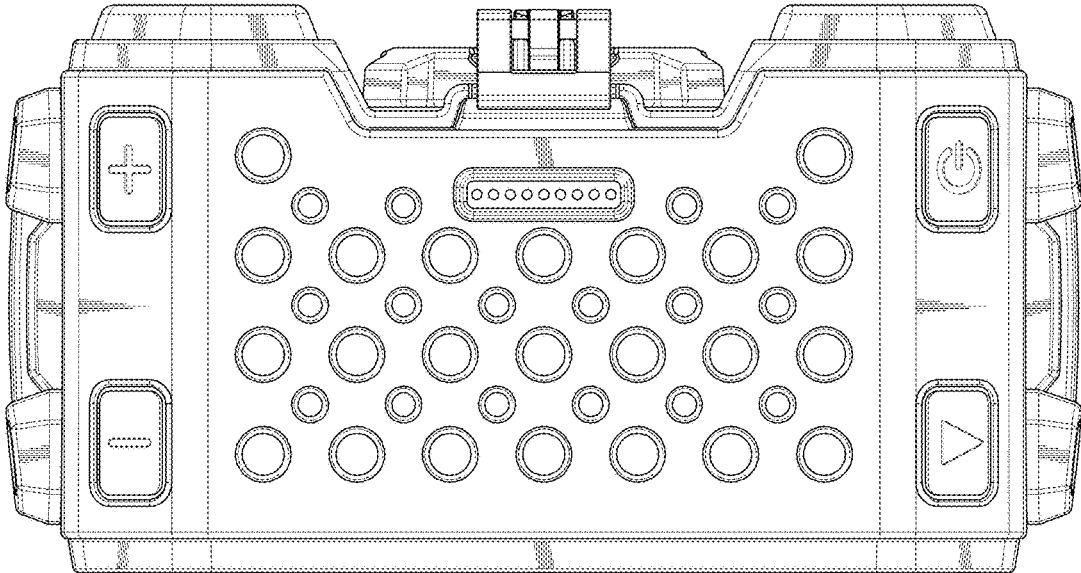


FIG. 6



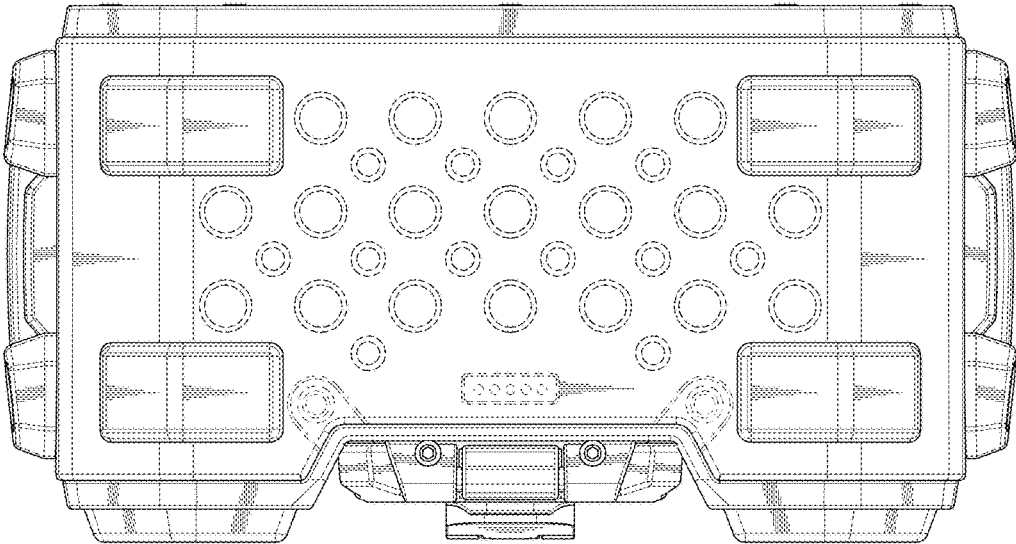


FIG. 7