



US00D718705S

(12) **United States Design Patent**
Naksen

(10) **Patent No.:** **US D718,705 S**

(45) **Date of Patent:** **** Dec. 2, 2014**

(54) **BATTERY PACK**

(71) Applicant: **Ingersoll-Rand Company**, Davidson, NC (US)

(72) Inventor: **Dennis Naksen**, Chatham, NJ (US)

(73) Assignee: **Ingersoll-Rand Company**, Davidson, NC (US)

(**) Term: **14 Years**

(21) Appl. No.: **29/460,798**

(22) Filed: **Jul. 15, 2013**

(51) **LOC (10) Cl.** **13-02**

(52) **U.S. Cl.**

USPC **D13/103**

(58) **Field of Classification Search**

USPC D13/102-104, 110, 118-121, 184, 199;
429/96-100, 163, 176

See application file for complete search history.

(56) **References Cited**

U.S. PATENT DOCUMENTS

D512,961	S	*	12/2005	Okuda et al.	D13/103
D550,152	S	*	9/2007	Okuda et al.	D13/103
D589,440	S	*	3/2009	Van Wambeke	D13/103
D590,333	S		4/2009	Price et al.		
D622,661	S	*	8/2010	Yamada et al.	D13/103
D633,036	S	*	2/2011	Murray	D13/103
D639,730	S	*	6/2011	Kawase	D13/103
D643,809	S	*	8/2011	Okuda et al.	D13/103
D658,578	S	*	5/2012	Davis	D13/103
D682,192	S	*	5/2013	Corbin	D13/103
D682,193	S	*	5/2013	Corbin	D13/103
D682,194	S	*	5/2013	Jiang et al.	D13/103
D685,730	S	*	7/2013	Hamm et al.	D13/103
D699,670	S	*	2/2014	Cooper	D13/103

OTHER PUBLICATIONS

Ingersoll-Rand Co., "IQV20 Series Cordless Tools," available at <http://www.ingersollrandproducts.com/am-en/products/tools/new-tools/IQV20-Cordless-Tools>, 2 pages.

Ingersoll-Rand Co., "20V Lithium-Ion Battery—IQV20 Series—BL2005," available at <http://www.ingersollrandproducts.com/am-en/products/tools/iqv-cordless-tools/iqv20-batteries-and-chargers/lithium-ion-battery-BL2005>, 2 pages.

Dewalt Industrial Tool Co., "DCB120 12V MAX* Lithium Ion Battery Pack," available at <http://www.dewalt.com/tools/cordless-batteries-dcb120.aspx>, 1 page.

One World Technologies, Inc. "Ryobi 12V Lithium-Ion Battery Pack," Jul. 25, 2008, 6 pages.

Robert Bosch Tool Corp., "SKIL Batteries & Chargers," available at <http://www.skiltools.com/Accessories/Pages/Accessories.aspx?cid=3007#Batteries>, 3 pages.

* cited by examiner

Primary Examiner — Rosemary K Tarcza

(74) *Attorney, Agent, or Firm* — Barnes & Thornburg LLP

(57) **CLAIM**

The ornamental design for a battery pack, as shown and described.

DESCRIPTION

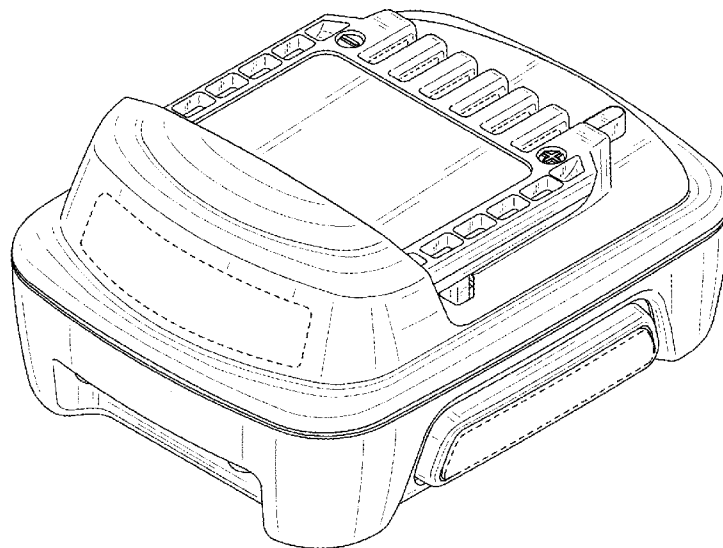
FIG. 1 is a front perspective view of a design of a battery pack; FIG. 2 is a front elevation view of the battery pack of FIG. 1; FIG. 3 is a rear elevation view of the battery pack of FIG. 1; FIG. 4 is a first side elevation view of the battery pack of FIG. 1;

FIG. 5 is a second side elevation view of the battery pack of FIG. 1;

FIG. 6 is a top plan view of the battery pack of FIG. 1; and, FIG. 7 is a bottom plan view of the battery pack of FIG. 1.

The broken lines shown in the figures depict environmental subject matter and form no part of the claimed design.

1 Claim, 7 Drawing Sheets



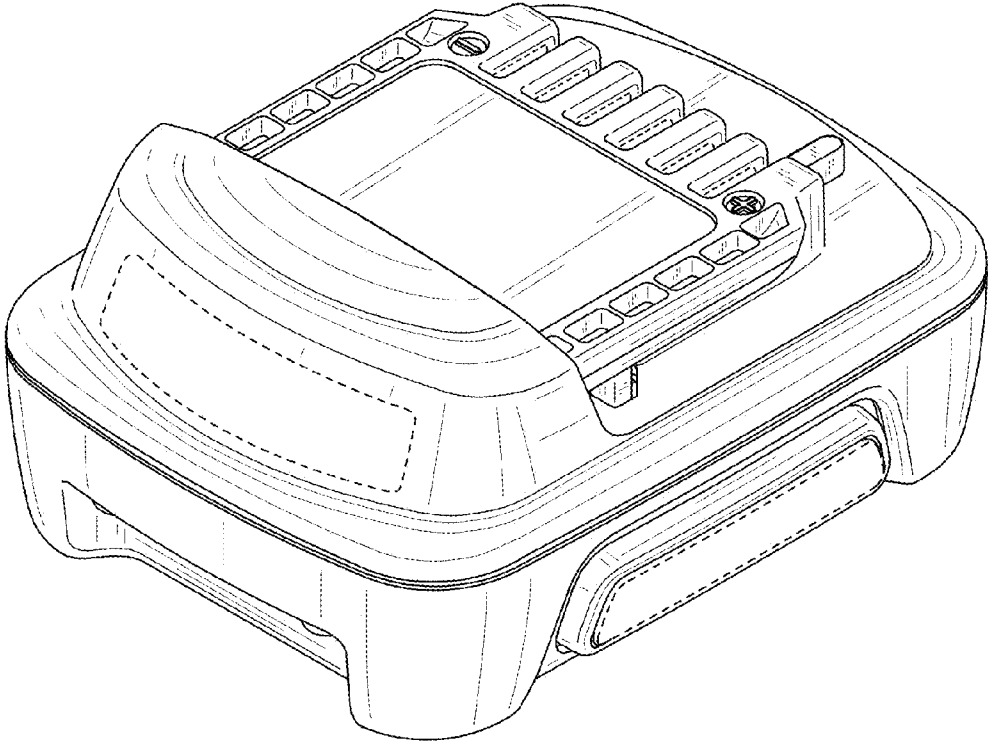


FIG. 1

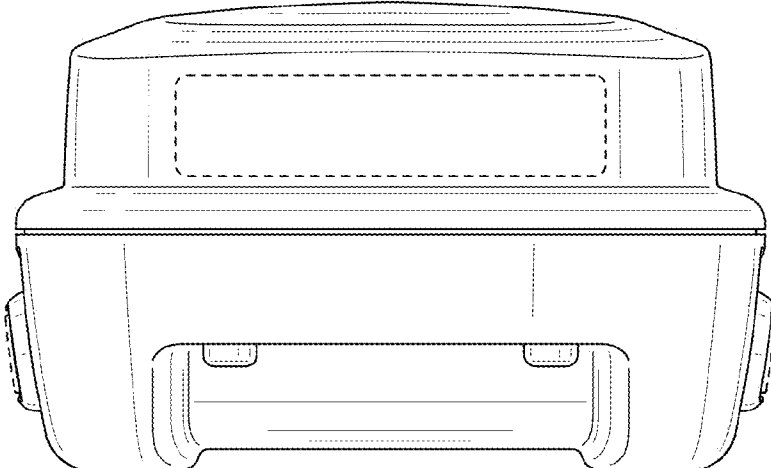


FIG. 2

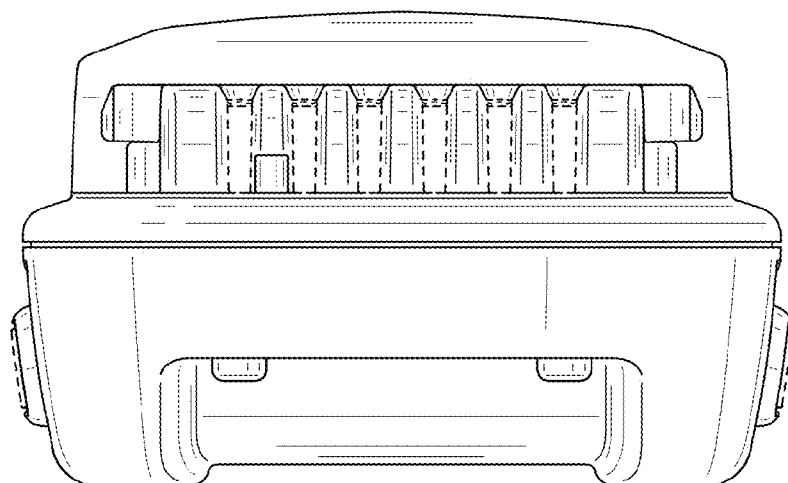


FIG. 3

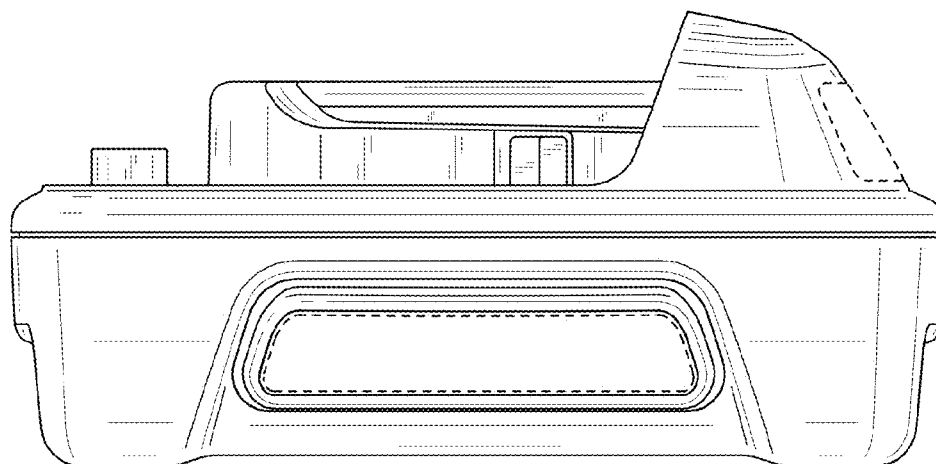


FIG. 4

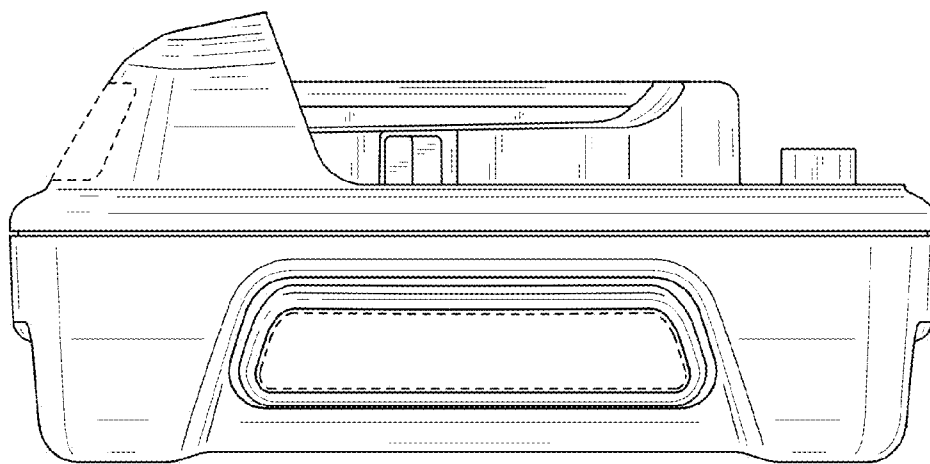


FIG. 5

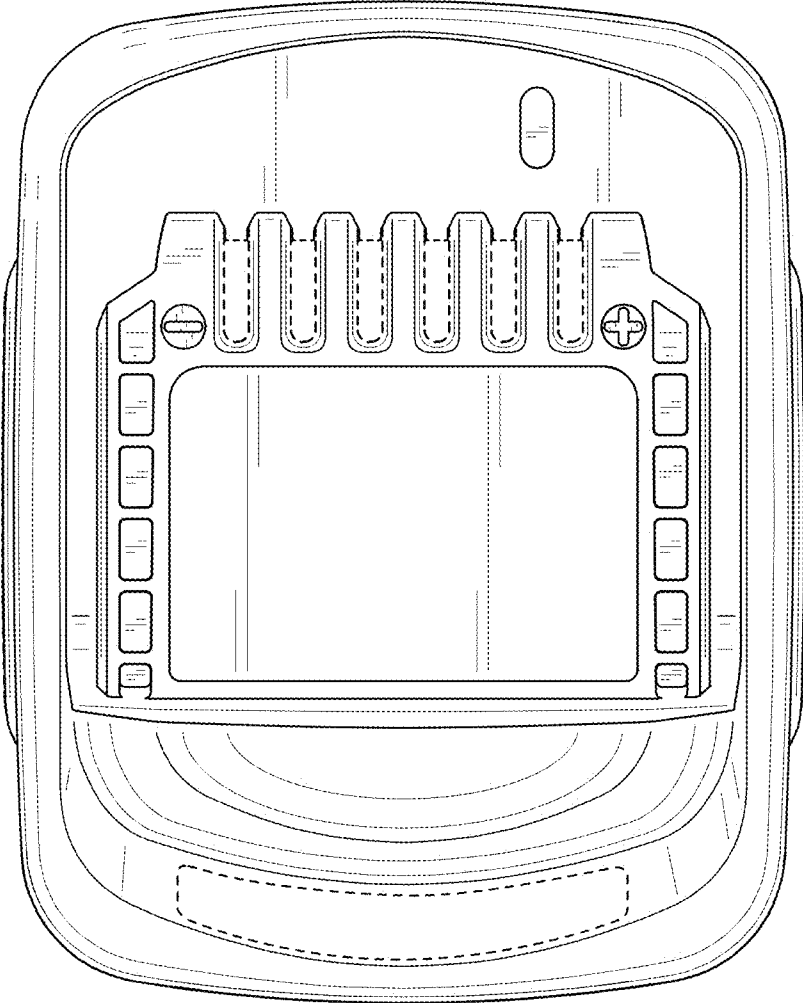


FIG. 6

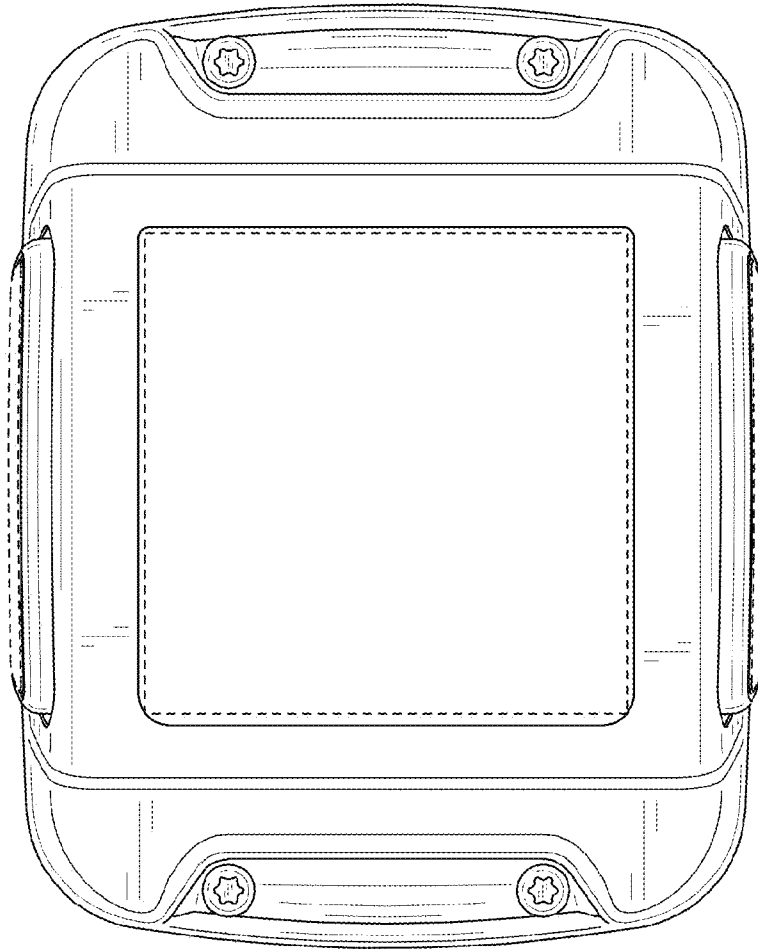


FIG. 7