

(19) World Intellectual Property Organization
International Bureau



(43) International Publication Date
21 December 2007 (21.12.2007)

PCT

(10) International Publication Number
WO 2007/146029 A3

- (51) International Patent Classification:
B41J 2/175 (2006.01)
- (21) International Application Number:
PCT/US2007/013371
- (22) International Filing Date: 6 June 2007 (06.06.2007)
- (25) Filing Language: English
- (26) Publication Language: English
- (30) Priority Data:
11/422,609 7 June 2006 (07.06.2006) US
- (71) Applicant (for all designated States except US): **LEX-MARK INTERNATIONAL, INC.** [US/US]; 740 West New Circle Road, Lexington, KY 40550 (US).
- (72) Inventors; and
- (75) Inventors/Applicants (for US only): **ANDERSON, James, Daniel, Jr.** [US/US]; 207 Beams Drive, Harrodsburg, KY 40330 (US). **COFFEY, Johnnie** [US/US]; 1000 McClure Road, Lexington, KY 40513 (US). **JOHNS, Gina, Marie** [US/US]; 137 Gainsway Drive, Nicholasville, KY 40356 (US). **SIKEMANN, Jay, Soctt** [US/US]; 205 Ironwood Drive, Nicholasville, KY 40356 (US).

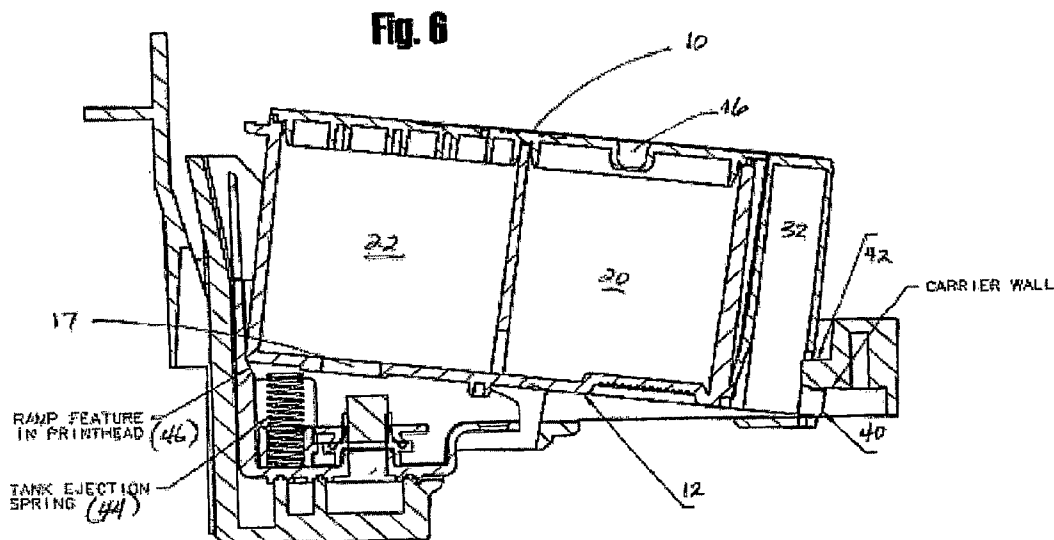
- (74) Agent: **KAHLE, Neill, R., Jr.**; Lexmark International, Inc, 740 West New Circle Road, Lexington, KY 40550 (US).
- (81) Designated States (unless otherwise indicated, for every kind of national protection available): AE, AG, AL, AM, AT, AU, AZ, BA, BB, BG, BH, BR, BW, BY, BZ, CA, CH, CN, CO, CR, CU, CZ, DE, DK, DM, DO, DZ, EC, EE, EG, ES, FI, GB, GD, GE, GH, GM, GT, HN, HR, HU, ID, IL, IN, IS, JP, KE, KG, KM, KN, KP, KR, KZ, LA, LC, LK, LR, LS, LT, LU, LY, MA, MD, ME, MG, MK, MN, MW, MX, MY, MZ, NA, NG, NI, NO, NZ, OM, PG, PH, PL, PT, RO, RS, RU, SC, SD, SE, SG, SK, SL, SM, SV, SY, TJ, TM, TN, TR, TT, TZ, UA, UG, US, UZ, VC, VN, ZA, ZM, ZW.
- (84) Designated States (unless otherwise indicated, for every kind of regional protection available): ARIPO (BW, GH, GM, KE, LS, MW, MZ, NA, SD, SL, SZ, TZ, UG, ZM, ZW), Eurasian (AM, AZ, BY, KG, KZ, MD, RU, TJ, TM), European (AT, BE, BG, CH, CY, CZ, DE, DK, EE, ES, FI, FR, GB, GR, HU, IE, IS, IT, LT, LU, LV, MC, MT, NL, PL, PT, RO, SE, SI, SK, TR), OAPI (BF, BJ, CF, CG, CI, CM, GA, GN, GQ, GW, ML, MR, NE, SN, TD, TG).

Published:

- with international search report
- before the expiration of the time limit for amending the claims and to be republished in the event of receipt of amendments

[Continued on next page]

(54) Title: **FACADE FOR AN INK TANK**



(57) Abstract: A fluid reservoir (10) is disclosed that includes a facade (32) that attaches to an ink tank body (12) and has a distinctive color, curvature and/or keying function (42) that prevents the reservoir (12) from being improperly inserted into a printing device. Further, a method of mounting a RFID tag (50) is described that includes, in some embodiments, the use of the facade cavity as a secure location for the RFID tag (50).

WO 2007/146029 A3



(88) Date of publication of the international search report:
25 September 2008

INTERNATIONAL SEARCH REPORT

International application No.

PCT/US07/13371

A. CLASSIFICATION OF SUBJECT MATTER
 IPC: **B41J 2/175(2006.01)**

USPC: 347/86
 According to International Patent Classification (IPC) or to both national classification and IPC

B. FIELDS SEARCHED

Minimum documentation searched (classification system followed by classification symbols)
 U.S. : 347/86, 19, 49, 87

Documentation searched other than minimum documentation to the extent that such documents are included in the fields searched

Electronic data base consulted during the international search (name of data base and, where practicable, search terms used)
 EAST

C. DOCUMENTS CONSIDERED TO BE RELEVANT

Category *	Citation of document, with indication, where appropriate, of the relevant passages	Relevant to claim No.
A	US 7,128,380A (HATASA et al) 31 October 2006 (31.10.2006), Fig. 3	1-20

Further documents are listed in the continuation of Box C. See patent family annex.

* Special categories of cited documents:	
"A" document defining the general state of the art which is not considered to be of particular relevance	"T" later document published after the international filing date or priority date and not in conflict with the application but cited to understand the principle or theory underlying the invention
"E" earlier application or patent published on or after the international filing date	"X" document of particular relevance; the claimed invention cannot be considered novel or cannot be considered to involve an inventive step when the document is taken alone
"L" document which may throw doubts on priority claim(s) or which is cited to establish the publication date of another citation or other special reason (as specified)	"Y" document of particular relevance; the claimed invention cannot be considered to involve an inventive step when the document is combined with one or more other such documents, such combination being obvious to a person skilled in the art
"O" document referring to an oral disclosure, use, exhibition or other means	"&" document member of the same patent family
"P" document published prior to the international filing date but later than the priority date claimed	

Date of the actual completion of the international search: 11 June 2008 (11.06.2008)
 Date of filing of the international search report: 11 JUL 2008

Name and mailing address of the ISA/US:
 Mail Stop PCT, Attn: ISA/US
 Commissioner for Patents
 P.O. Box 1450
 Alexandria, Virginia 22313-1450
 Facsimile No. (571) 273-3201

Authorized officer:
 ANH VO
 Telephone No. 571-272-2262

INTERNATIONAL SEARCH REPORT

International application No.
PCT/US07/13371

C (Continuation). DOCUMENTS CONSIDERED TO BE RELEVANT

Category *	Citation of document, with indication, where appropriate, of the relevant passages	Relevant to claim No.
A	US 6,404,995A (KIMIZUKA) 11 June 2002 (11.06.2002), Fig. 3	1-20
Y	US 6,748,182A (YOSHIDA et al) 8 June 2004 (8.06.2004), Fig. 22	3-4, 9-10 and 13-19
Y	US 6,742,857A (KOSHIKAWA et al) 1 June 2004 (1.06.2004), Figs. 1-2	3-4, 9-10 and 13-19
X	US 6,254,226A (LENGYEL et al) 3 July 2001 (3.07.2001), Figs 1-3	20
X	US 7,354,144A (HATASA et al) 8 April 2008 (8.04.2008), Figs. 2 and 4B	1-2, 5-8 and 11-12
---		-----
Y		3-4, 9-10 and 13-19