



US00D998523S

(12) **United States Design Patent**
Li

(10) **Patent No.:** **US D998,523 S**

(45) **Date of Patent:** **** Sep. 12, 2023**

(54) **VEHICLE REAR BUMPER**

(71) Applicant: **SHENZHEN SANGSHEN**
E-COMMERCE CO., LTD., Shenzhen
(CN)

D894,802 S * 9/2020 Grand B60R 19/02
D12/169
D909,261 S * 2/2021 Marshall D12/169
D919,516 S * 5/2021 Chi D12/171
(Continued)

(72) Inventor: **Chenghao Li**, Shenzhen (CN)

(73) Assignee: **SHENZHEN SANGSHEN**
E-COMMERCE CO., LTD., Shenzhen
(CN)

OTHER PUBLICATIONS

Rear Bumper with LED Light, Wolfstorm Product Webpage [online],
[Site Visit Feb. 2, 2023], URL: <https://www.wolfstorm.com/collections/rear-bumper/products/18-21-jeep-wrangler-jl-jlu-rear-bumper-w-led-light-d-ring-shackle-steel> (Year: 2023) (Year: 2023).
(Continued)

(**) Term: **15 Years**

Primary Examiner — Calvin E Vansant
Assistant Examiner — Giang Hoang Tran

(21) Appl. No.: **29/763,957**

(22) Filed: **Dec. 28, 2020**

(51) **LOC (14) Cl.** **12-16**

(57) **CLAIM**

The ornamental design for a vehicle rear bumper, as shown and described.

(52) **U.S. Cl.**
USPC **D12/172**

(58) **Field of Classification Search**
USPC D12/86, 90, 91, 92, 163, 164, 169, 171,
D12/172, 216; D21/424, 433
CPC B60R 19/007; B60R 19/02; B60R 19/18;
B60R 19/24; B60R 19/52; B60R 19/56;
B60R 2019/1886; B62D 25/085
See application file for complete search history.

DESCRIPTION

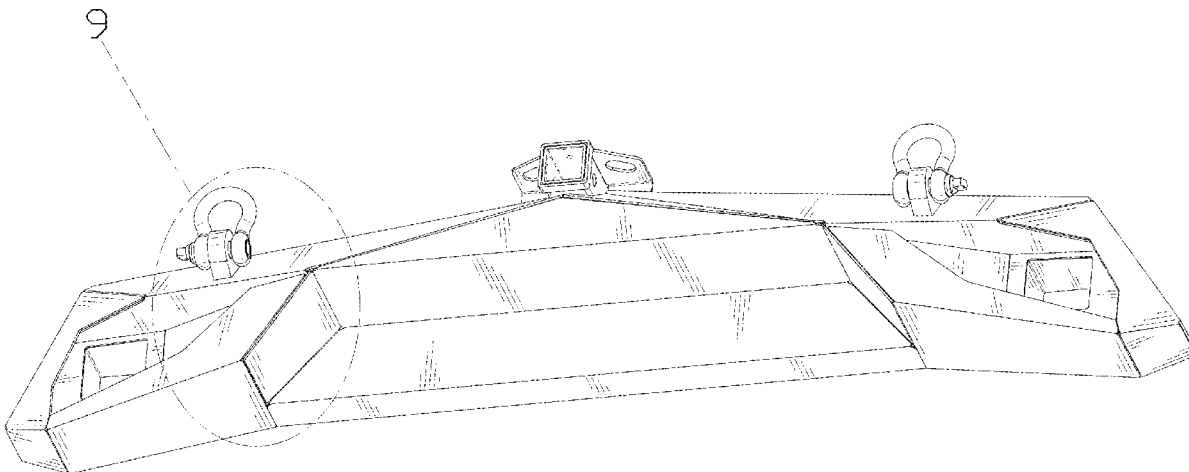
FIG. 1 is a perspective view of a vehicle rear bumper showing my new design;
FIG. 2 is another perspective view thereof;
FIG. 3 is a front elevational view thereof;
FIG. 4 is a rear elevational view thereof;
FIG. 5 is a left side elevational view thereof;
FIG. 6 is a right side elevational view thereof;
FIG. 7 is a top plan view thereof;
FIG. 8 is a bottom plan view thereof;
FIG. 9 is an enlarged view of portion 9 shown in FIG. 1; and,
FIG. 10 is an enlarged view of portion 10 shown in FIG. 3.
The dot-dash broken lines define the bounds of the enlarged portion of FIG. 1 and 3 of the claimed design and form no part thereof. The broken lines in the drawings depict portions of the vehicle rear bumper that form no part of the claimed design.

(56) **References Cited**

U.S. PATENT DOCUMENTS

D751,012 S *	3/2016	Hare	D12/171
D753,565 S *	4/2016	Metzger, Jr.	D12/169
D777,619 S *	1/2017	Barajas	D12/171
D792,817 S *	7/2017	McMath	D12/171
D803,734 S *	11/2017	Bennett	D12/169
D864,806 S *	10/2019	Wood	D12/171
D870,615 S *	12/2019	Wood	D12/171
D877,670 S *	3/2020	Moctezuma	D12/171
D879,685 S *	3/2020	Bennett	D12/171
D887,921 S *	6/2020	Harriton	D12/171
D892,004 S *	8/2020	Li	D12/169
D892,005 S *	8/2020	Marshall	D12/169

1 Claim, 10 Drawing Sheets



(56)

References Cited

U.S. PATENT DOCUMENTS

D919,517	S	*	5/2021	Chi	D12/171
D923,539	S	*	6/2021	Wraith	D12/169
D926,090	S	*	7/2021	Bennett	D12/169
D935,953	S	*	11/2021	Zeng	D12/169
D936,533	S	*	11/2021	DiCanzio	D12/169
D949,067	S	*	4/2022	Hu	D12/171

OTHER PUBLICATIONS

AAIWA Offroad Steel Bumper, Nov. 13, 2019, Amazon [online], [Site Visit02 Feb. 2, 2023], URL: <https://www.amazon.com/wrangler-AAIWA-Receiver-Compatible-Wrangler/dp/B087V1TJ8K> (Year: 2019) (Year: 2019).*

* cited by examiner

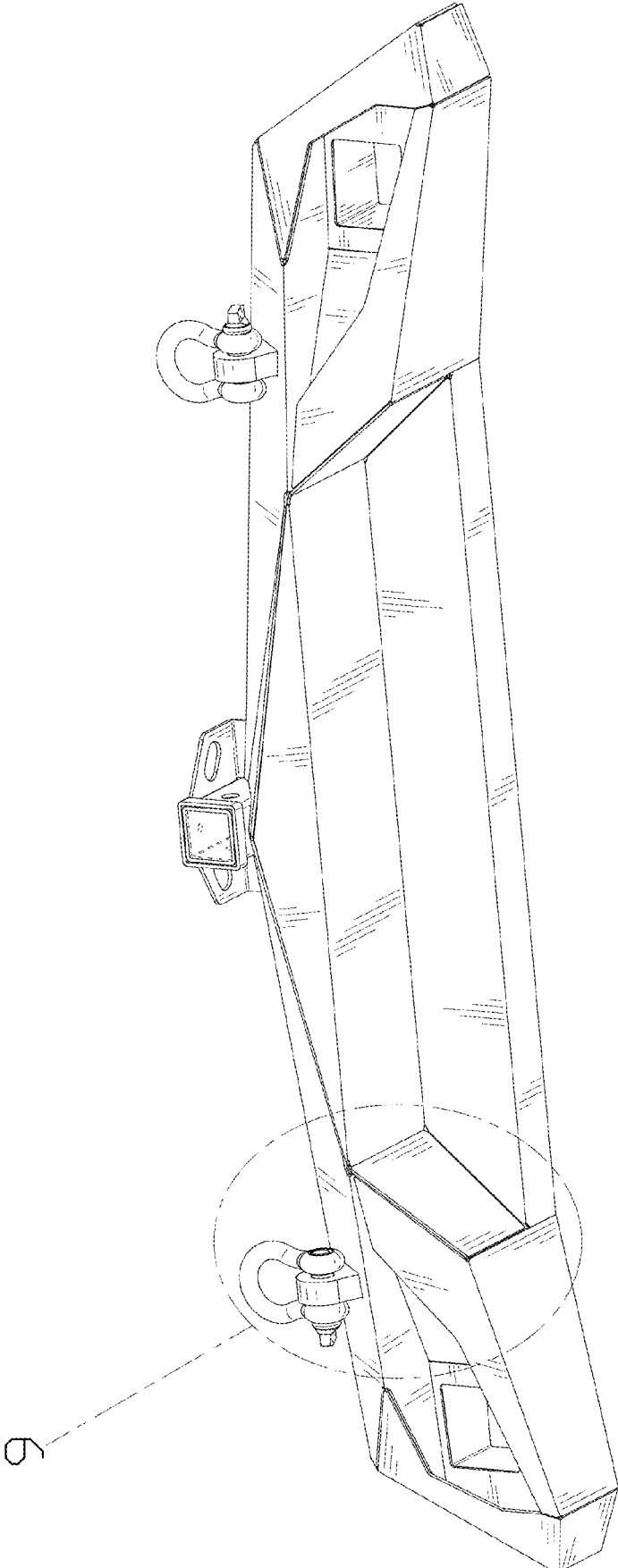


FIG. 1

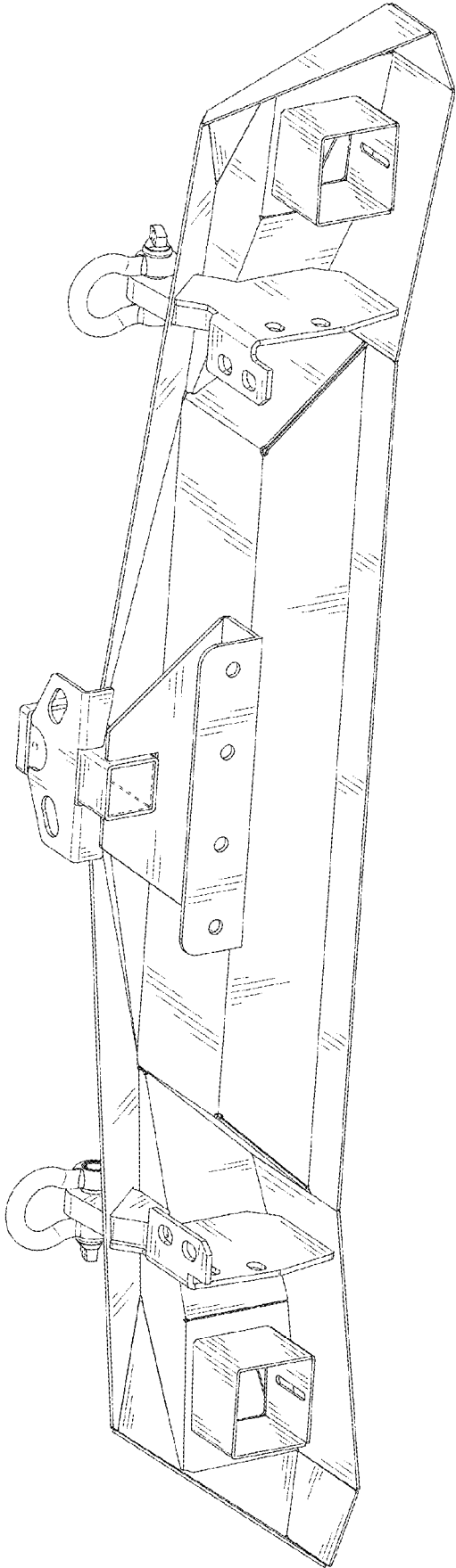


FIG. 2

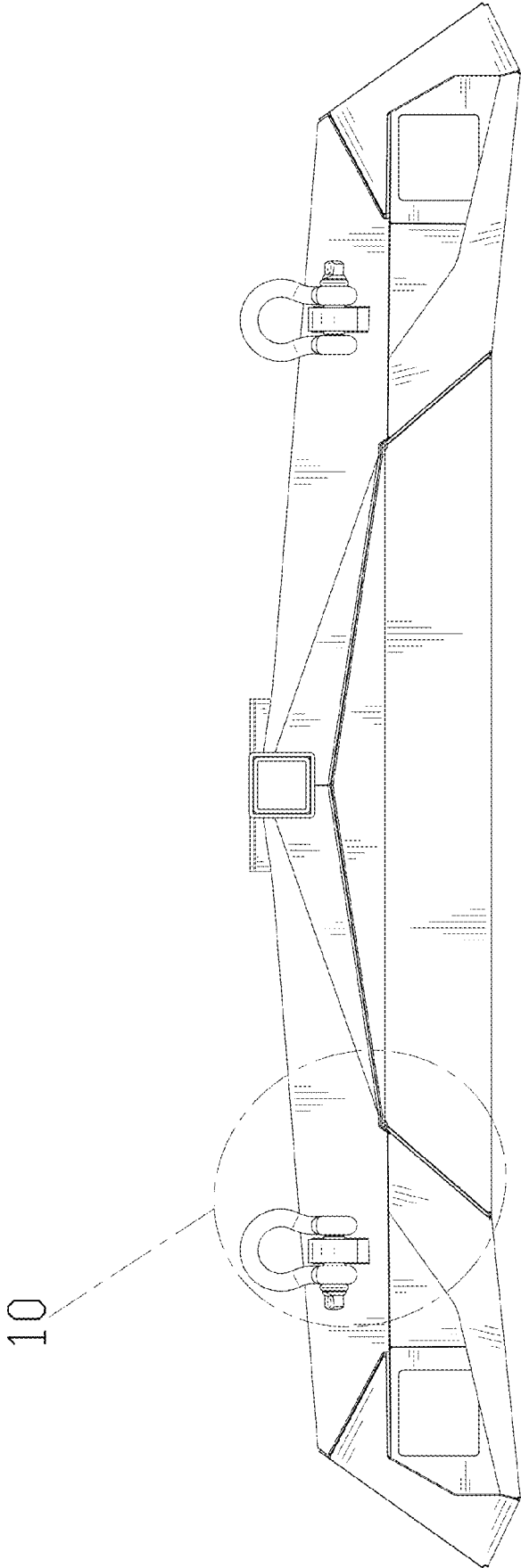


FIG. 3

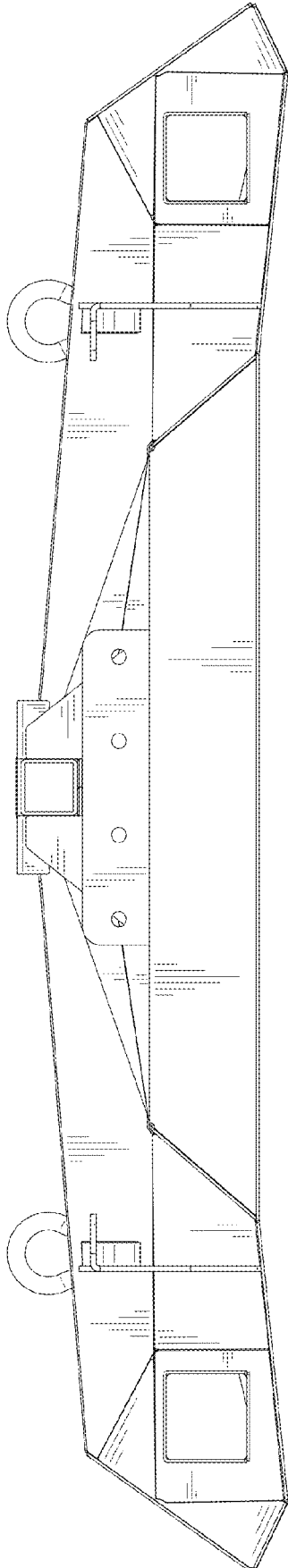


FIG. 4

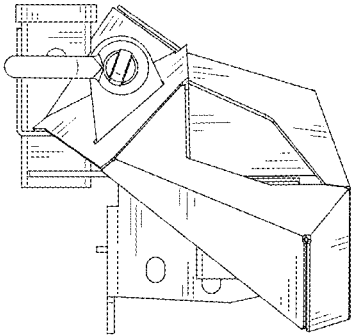


FIG. 5

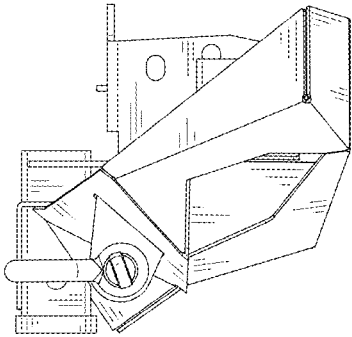


FIG. 6

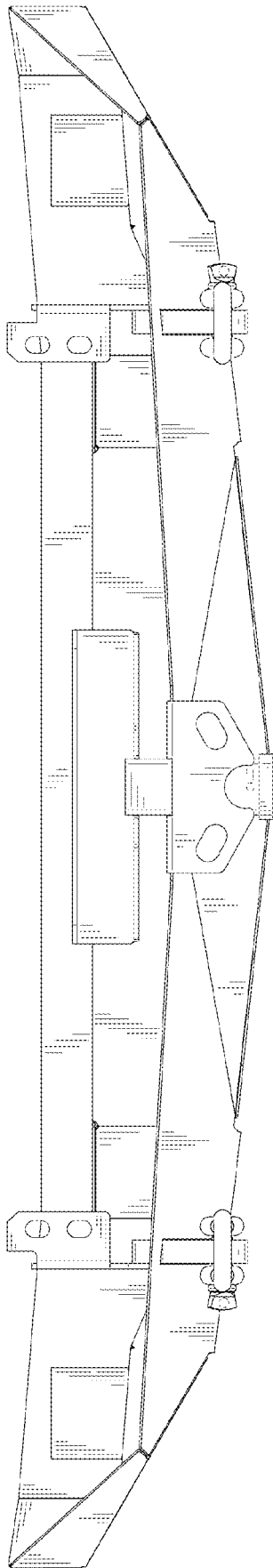


FIG. 7

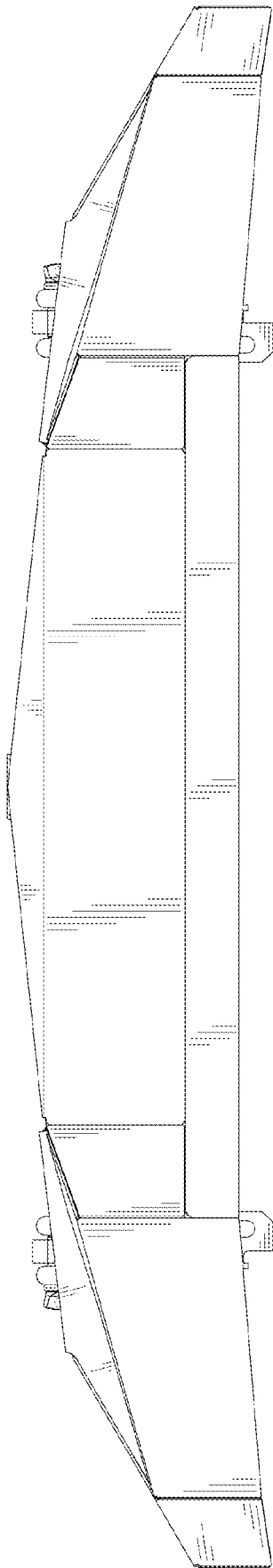


FIG. 8

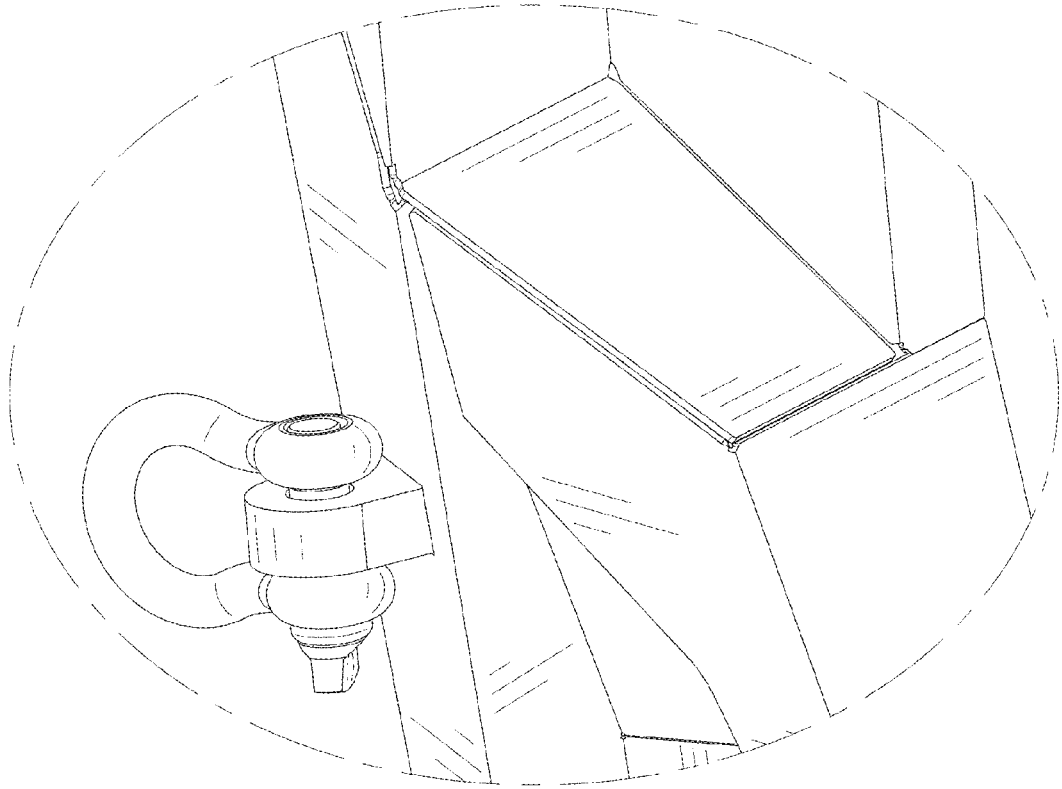


FIG. 9

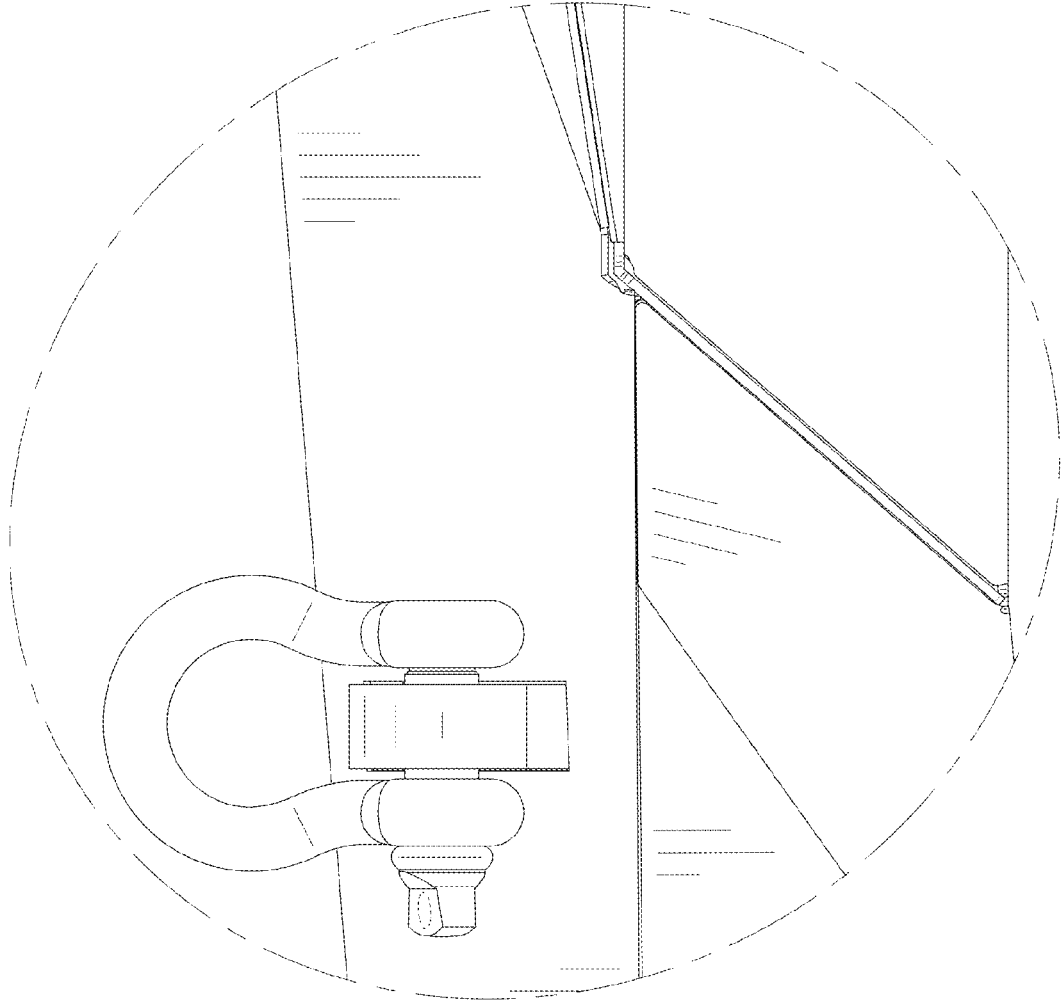


FIG. 10