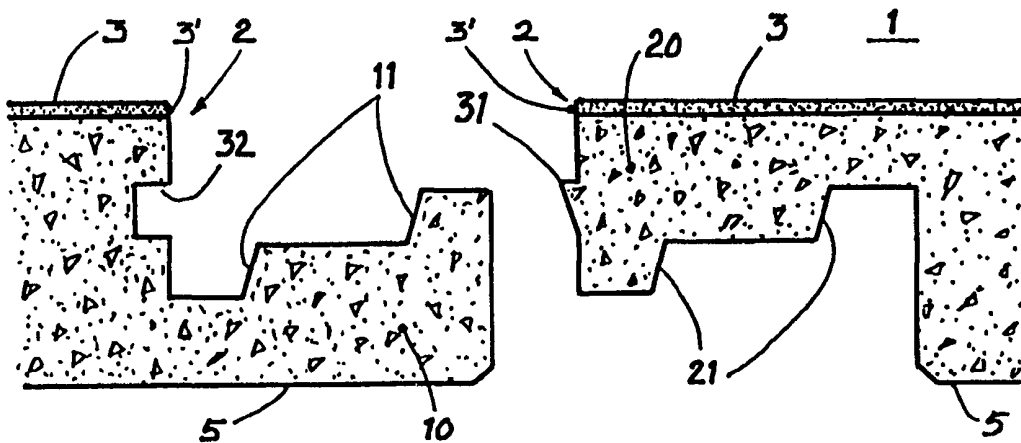


INTERNATIONAL APPLICATION PUBLISHED UNDER THE PATENT COOPERATION TREATY (PCT)

(51) International Patent Classification ⁷ : E04F 15/04	A1	(11) International Publication Number: WO 00/47841 (43) International Publication Date: 17 August 2000 (17.08.00)
<p>(21) International Application Number: PCT/SE99/01700</p> <p>(22) International Filing Date: 27 September 1999 (27.09.99)</p> <p>(30) Priority Data: 9900432-7 10 February 1999 (10.02.99) SE</p> <p>(71) Applicant (for all designated States except US): PERSTORP FLOORING AB [SE/SE]; Strandridaregatan 8, S-231 25 Trelleborg (SE).</p> <p>(72) Inventor; and (75) Inventor/Applicant (for US only): MÅRTENSSON, Göran [SE/SE]; Vallby 878, S-231 97 Klagstorp (SE).</p> <p>(74) Agent: STENBERG, Yngve; Perstorp AB, S-284 80 Perstorp (SE).</p>	<p>(81) Designated States: AE, AL, AM, AT, AU, AZ, BA, BB, BG, BR, BY, CA, CH, CN, CU, CZ, DE, DK, EE, ES, FI, GB, GD, GE, GH, GM, HR, HU, ID, IL, IN, IS, JP, KE, KG, KP, KR, KZ, LC, LK, LR, LS, LT, LU, LV, MD, MG, MK, MN, MW, MX, NO, NZ, PL, PT, RO, RU, SD, SE, SG, SI, SK, SL, TJ, TM, TR, TT, UA, UG, US, UZ, VN, YU, ZA, ZW, ARIPO patent (GH, GM, KE, LS, MW, SD, SL, SZ, TZ, UG, ZW), Eurasian patent (AM, AZ, BY, KG, KZ, MD, RU, TJ, TM), European patent (AT, BE, CH, CY, DE, DK, ES, FI, FR, GB, GR, IE, IT, LU, MC, NL, PT, SE), OAPI patent (BF, BJ, CF, CG, CI, CM, GA, GN, GW, ML, MR, NE, SN, TD, TG).</p> <p>Published <i>With international search report.</i> <i>With amended claims.</i></p>	

(54) Title: FLOORING MATERIAL, COMPRISING BOARD SHAPED FLOOR ELEMENTS WHICH ARE INTENDED TO BE JOINED VERTICALLY



(57) Abstract

Flooring material including floor boards (1) with an essentially square, rectangular or rhomboidal shape. The floor boards (1) are provided with edges (2), a horizontal lower side (5) and a horizontal decorative upper surface (3). The floor boards (1) are provided with lower joining lips (10) at two adjacent edges (2) while the two remaining edges (2) are provided with upper joining lips (20). The lower joining lips (10) are provided essentially vertical lower lip surfaces (11) arranged parallel to the closest edge (2). The lower lip surfaces (11) are intended to interact with mainly vertical upper lip surfaces (21) arranged on the upper joining lips (20). Two joined adjacent floor boards (1) are hereby locked together in a horizontal direction. The joining lips (10 and 20 respectively) are furthermore provided with one or more heels (31) intended to snap join with recesses (32) adapted thereto which, by being provided with essentially horizontal locking surfaces, limits vertical movement between two joined adjacent floor boards (1).

FOR THE PURPOSES OF INFORMATION ONLY

Codes used to identify States party to the PCT on the front pages of pamphlets publishing international applications under the PCT.

AL	Albania	ES	Spain	LS	Lesotho	SI	Slovenia
AM	Armenia	FI	Finland	LT	Lithuania	SK	Slovakia
AT	Austria	FR	France	LU	Luxembourg	SN	Senegal
AU	Australia	GA	Gabon	LV	Latvia	SZ	Swaziland
AZ	Azerbaijan	GB	United Kingdom	MC	Monaco	TD	Chad
BA	Bosnia and Herzegovina	GE	Georgia	MD	Republic of Moldova	TG	Togo
BB	Barbados	GH	Ghana	MG	Madagascar	TJ	Tajikistan
BE	Belgium	GN	Guinea	MK	The former Yugoslav Republic of Macedonia	TM	Turkmenistan
BF	Burkina Faso	GR	Greece			TR	Turkey
BG	Bulgaria	HU	Hungary	ML	Mali	TT	Trinidad and Tobago
BJ	Benin	IE	Ireland	MN	Mongolia	UA	Ukraine
BR	Brazil	IL	Israel	MR	Mauritania	UG	Uganda
BY	Belarus	IS	Iceland	MW	Malawi	US	United States of America
CA	Canada	IT	Italy	MX	Mexico	UZ	Uzbekistan
CF	Central African Republic	JP	Japan	NE	Niger	VN	Viet Nam
CG	Congo	KE	Kenya	NL	Netherlands	YU	Yugoslavia
CH	Switzerland	KG	Kyrgyzstan	NO	Norway	ZW	Zimbabwe
CI	Côte d'Ivoire	KP	Democratic People's Republic of Korea	NZ	New Zealand		
CM	Cameroon			PL	Poland		
CN	China	KR	Republic of Korea	PT	Portugal		
CU	Cuba	KZ	Kazakstan	RO	Romania		
CZ	Czech Republic	LC	Saint Lucia	RU	Russian Federation		
DE	Germany	LJ	Liechtenstein	SD	Sudan		
DK	Denmark	LK	Sri Lanka	SE	Sweden		
EE	Estonia	LR	Liberia	SG	Singapore		

FLOORING MATERIAL, COMPRISING BOARD SHAPED FLOOR ELEMENTS WHICH ARE INTENDED TO BE JOINED VERTICALLY

The present invention relates to a flooring material comprising board shaped floor elements which are intended to be joined vertically.

Prefabricated floor boards which are provided with tongue and groove at the edges are well known today. As these are rather easy to install, this can be achieved by the average handy man. Such floors can be made of solid wood, particle board or fibre board. These floor boards are most often provided with a top surface, such as lacquer or some kind of laminate. The board are most often joined by being glued together via their tongue and groove. The most common types of floor boards are, however, burdened with the disadvantage to form gaps of varying width between the floor boards if the installer is not thorough enough. Dirt will accumulate in such gaps. Moisture will furthermore enter the joints which will cause the core to expand in cases where it is made of solid wood, fibre board or particle board which usually is the case. This expansion will cause the top surface to rise closest to the joint, which radically decreases the useful life of the floor due to increased wear on the protruding edges of the floor board. In order to avoid this type of gaps it is known to use different type of tensioning devices used for clamping the floor boards together during installation. This operation is, however, rather awkward and it is desirable to achieve a floor board with a joint which is self-orienting and thereby automatically will find its correct position. It would also be possible to use such a joint without having to use glue.

The above mentioned problems have been solved through the present invention whereby a floor that is easy to install has been achieved. Accordingly, the invention relates to a flooring material including floor boards with an essentially square, rectangular or rhomboidal shape. The floor boards are provided with edges, a horizontal lower side and a horizontal decorative upper surface. The floor boards are provided with lower joining lips at two adjacent edges while the two remaining edges are provided with upper joining lips. The invention is characterised in that the lower joining lips are provided with essentially vertical lower lip surfaces arranged parallel to the closest edge which lower lip surfaces are intended to interact with

mainly vertical upper lip surfaces arranged on the upper joining lips. Two joined adjacent floor boards are hereby locked together in a horizontal direction. The joining lips are furthermore provided with one or more heels intended to snap-join with recesses adapted thereto which, by being provided with essentially horizontal locking surfaces, limits vertical movement between two joined adjacent floor boards.

The joint between two floor boards joined together, preferably includes fitting surfaces which are comprised by the horizontal locking surfaces on the recesses and the heels, the vertical upper lip surfaces and upper fitting surfaces. The joint between two floor boards joined together suitably also includes cavities.

According to one embodiment of the invention the heel is constituted by a resilient part which is arranged in a cavity. The recess is alternatively constituted by a resilient part which is arranged in a cavity. Such a resilient part may suitably be constituted by an extruded thermoplastic profile, a profile made of thermosetting resin or an extruded or a cold forged profile made of metal or the like.

These resilient parts may be handled in different ways. One suitable way is to pre-mount these into cavities intended for the purpose. The resilient part will hereby be in the correct position when the floor is to be installed. The material chosen will, however, be limited somewhat since some of the floor boards will have to be cut in connection to the installation as the floor board and the resilient part will have to be cut simultaneously. Thinner profiles made of brittle materials, such as thermosetting resins, might for example shatter if cut with an ordinary fog saw, while for example steel is practically impossible to cut with such a tool. Since the floor board itself usually comprises a core of fibreboard or particleboard with a surface of thermosetting laminate the choice of cutting tools will be somewhat limited. Aluminium, or a thermoplastic material such as polypropylene, polyethylene, polyamide or polystyrene, advantageously containing a filler, is therefore suitable where a pre-assembled resilient part is desired. Pre-assembled resilient parts does suitably have a length only a bit shorter than the side on which they are mounted. A prevalent dimension on the floor board is 200 x 1200 mm.

It is also possible to mount the resilient part during the installation of the floor. The choice of material in the resilient parts will hereby be more free as they may be manufactured in different, and shorter lengths. It hereby becomes possible to choose spring steel which will provide an excellent locking. Suitable lengths of post-assembled resilient part may be from a few centimetres to a couple of decimetres.

The flooring material comprising the above floor board is very suited when installing floors where no glue is to be used. It is, of course, possible to utilise glue or adhesive tape to make the installation irreversibly permanent. The glue or tape is then suitably applied in, or in connection to, possible cavities before joining the floor boards.

Floor boards according to present invention are, unlike common types of floor boards, joined by being pressed downwards. Commonly known floor boards are assembled horizontally by being forced or knocked together. Some known floor boards are assembled by being turned or prized into position. These known floor boards are guided vertically, and in a few cases also horizontally, on a great number of variations on the tongue-and-groove theme. It is very difficult to apply sufficient horizontal force manually at floor level whereby different types of tensioning devices are essential when installing such floors. The installer will only have to apply some of his body weight over the joint and the floor boards will snap together, when installing floors according to the present invention. It is hereby becomes possible walk the floor boards into position once they are placed correctly.

It is also possible to install the floor standing up by using very simple tools, for example a couple of rods with a suction cup at the lower ends. It would thereby be possible to install the floor without having to crawl on ones knees. Industrial injuries such as back and knee problems are very common among floor installers.

The invention is explained further together with enclosed drawings showing different embodiments of the invention whereby,

-figure 1 shows an embodiment of two opposite edges 2 of a floor board 1 according to the present invention. These are shown in cross-section in order to facilitate understanding of the invention.

-figures 2a and 2b show a second embodiment of the invention. Figure 2a shows, in cross-section, the two adjacent edges 2 of two floor boards 1 before assembly while figure 2b shows the same two floor boards 1 after being joined.

-figures 3a and 3b show another embodiment of the invention. Figure 3a shows, in cross-section, the two adjacent edges 2 of two floor boards 1 before assembly while figure 3b shows the same floor boards 1 after being joined.

-figure 4 shows a geometric variation of the embodiment of figure 3a and 3b.

-figure 5 shows a another geometric variation of the embodiment of figure 3a and 3b.

Figure 1 shows parts of a flooring material comprising floor boards 1. The floor boards 1 are provided with edges 2, a horizontal lower side 5 and a horizontal upper decorative surface 3. The floor boards 1 are at two adjacent edges 2 provided with lower joining lips 10 (only one shown) while the two remaining edges 2 are provided with upper joining lips 20 (only one shown). The lower joining lips 10 are provided with mainly vertical lower lip surfaces 11 arranged parallel to the closest edge 2. The lower lip surfaces 11 are intended to interact with mainly vertical upper lip surfaces 21 arranged on the upper joining lips 20 so that two joined adjacent floor boards 1 are locked together in a vertical direction. The joining lips 10 and 20 respectively are furthermore provided with each one heel 31 with a matching recess 32. A vertical movement between two joined adjacent floor boards 1 is limited since the recess 32 and heel 31 respectively are provided with essentially horizontal locking surfaces. The joining surfaces are also provided with fitting surfaces 3' in order to avoid unintended gaps in the joint. The geometry of the joining edges are

only shown schematically and may, of course, be changed in many ways within the scope of the invention.

According to one embodiment of a floor board 1 according to the present invention, the floor boards 1 includes a core which is covered with an upper decorative surface 3. The core most often consists of wood particles or fibre bonded together with glue or resin. Since the core material is sensitive to moisture it may be advantageous to treat the area closest to the joint if the floor is to be exposed to moisture. This treatment may suitably include resin, wax or some kind of lacquer. It will not be necessary to treat the joint if the floor boards 1 are to be glued since the glue itself will protect the joint from moisture penetration. The decorative upper surface consists of a decorative paper impregnated with melamine-formaldehyde resin. One or more layers of so called overlay paper of α -cellulose, impregnated with melamine-formaldehyde resin is suitably placed on top of the decorative paper. One or more of the above layers may be sprinkled with hard particles, of for example α -aluminium oxide, silicon carbide or silicon oxide in connection to the impregnation in order to improve the abrasion resistance. The paper impregnated with resin is cured before, or in connection to applying it to the core. The paper layers are suitably laminated together before they are applied to the core in cases where the upper decorative surface 3 is constituted by more than one paper layers. The lower side 5 may suitably be coated with a lacquer or a resin impregnated paper.

According to another alternative embodiment of the invention the core of the floor board 1 is constituted by a mixture of 4 - 6 parts by weight of particles such as wood fibre, with an average particle size in the range $50\mu\text{m}$ - $3000\mu\text{m}$ which is agglomerated with 4 - 6 parts by weight of a thermoplastic polymer. The particles may partly or completely be constituted by another organic material such as bark, flax, straw, corn starch, fruit stones or the like. It is also possible to partly or completely replace the organic particles with inorganic ones such as stone dust, sand, lime, mica or the like.

The thermoplastic material is suitably constituted by a poly olefin such as polyethylene, polypropylene, or polybutene but can also be constituted by others such as polystyrene, acrylnitril-butadiene-styrene copolymer, poly amid, polyvinyl chloride or poly carbonate.

Additives might be added to the material in order to adapt the elastic and acoustic properties of the core to the desired one. Among such additives can mentioned ethyl-vinyl-acetate, di-ethyl-phthalate, di-isobutyl-phthalate or epoxidated organic oils.

Among possible upper surfaces to the core specified above may be mentioned thermosetting laminates including at least a decorative paper impregnated with melamine-formaldehyde resin. Overlay paper and hard particles may be added to this as described earlier in the present application. The upper decorative surface may also be constituted by an acrylic foil, an acrylic lacquer and combinations thereof. It might also be constituted by a foil or a lacquer of poly olefins or poly olefin derivatives.

An adhesion problem between the different materials included in the floor board might occur in certain combinations. It is possible to overcome these problems which normally present themselves as de-lamination problems, low impact strength or blistering, by adding 0.01 - 1 part of dendritic macromolecules with a combination of chain terminators adapted to the characteristic materials of the floor board in order to increase the chemical bond between the different materials. It is also possible to coat a decorative surface with an acrylic lacquer containing, or being sprinkled with, hard particles of α -aluminium oxide, silicon carbide or silicon oxide. The coating is most often achieved through use of a roller or through curtain coating. Among suitable acrylic lacquers can be mentioned radiation curing ones which are cured with electron beam or ultraviolet light forming free radicals in the uncured lacquer.

The figures 2a and 2b show a second embodiment of the invention. Figure 2a shows in cross-section the adjacent edges 2 of two floor boards before joining while figure 2b shows the same after being joined. The embodiment shown is mainly the same as the one shown in figure 1. The embodiment shown in figure 2a - b is, however, in addition provided with cavities 6 (fig. 2b) and a resilient part 7. The cavities 6 can for example be found in the finished joint between the contact surfaces that are formed between the horizontal locking surfaces on the recess 32 and the heel 31, the vertical upper lip surface 21 and the lower lip surface 11 together with the upper fitting surfaces 3'. The resilient part 7 is placed in a cavity 6. The resilient part 7

forms a resilient recess 23 and a resilient lower lip surface 11. The cavities 6 reduces the negative effects loose particles might have, which loose particles otherwise might cause undesired gaps in the upper part of the joint. The cross-section geometry of the joint is only shown schematically focusing on the interaction between the different surfaces in order to facilitate understanding of the invention. Then invention is not limited to the embodiment as it can be varied within the scope of the invention.

The figures 3a and 3b show another embodiment of the invention. Figure 3a shows, in cross-section the adjacent edges 2 of two floor boards 1 before joining while figure 3b shows the same after joining. The embodiment shown in figure 3a - b is essentially the same as the one shown in figure 1. The embodiment shown in figure 3a - b is however also provided with cavities 6 (fig. 3b). The cavities 6 can for example be found in the finished joint between the contact surfaces that are formed between the horizontal locking surfaces on the recess 32 and the heel 31, the vertical upper lip surface 21 and the lower lip surface 11 together with the upper fitting surfaces 3'. The cavities 6 reduces the negative effects loose particles might have, which loose particles otherwise might cause undesired gaps in the upper part of the joint. The cross-section geometry of the joint is only shown schematically focusing on the interaction between the different surfaces in order to facilitate understanding of the invention. The invention is not limited to the embodiment as it can be varied within the scope of the invention.

Recesses of a greater depth, as shown in figure 3a and 3b, is advantageously achieved by means of laser cutting or broaching. More shallow recesses, such as the ones shown in figures 1 and 2a - b may be achieved by more traditional methods such as milling.

Figure 4 shows a geometric variation of the embodiment shown in figure 3a - 3b. Figure 4 shows in cross-section the adjacent edges 2 of two floor boards 1 after being joined. The embodiment shown in figure 4 is essentially the same as the one shown in figure 3a - 3b. The embodiment shown in figure 4 is, however, provided with somewhat inclined vertical surfaces on the recess 32 and the heel 31. The

vertical surfaces of the cavity 6' is furthermore somewhat inclined while the height of the cavity 6' is increased and the depth is reduced. The height of the upper and the lower vertical lip surface 21 and 11 respectively is at the same time reduced while the height of the cavity 6" also is reduced. The geometry of the joint is hereby made more open so it will be possible to manufacture by traditional methods such as milling.

Figure 5 shows another geometric variation of the embodiment shown in figure 3a - 3b. Figure 5 shows in cross-section the adjacent edges 2 of two floor boards 1 after being joined. The embodiment shown in figure 5 is essentially the same as the one shown in figure 3a - 3b. The embodiment shown in figure 5 is, however, provided with a cavity 6' with a reduced depth. A lower recess 40 is also introduced on the bottom of the lower joining lip 10. The lower recess 40 will allow the lower joining lip 10 to be bent downwards during the assembly, without having to touch the underlying surface.

Claims

1. Flooring material including floor boards (1) with an essentially square, rectangular or rhomboidal shape, which floor boards (1) are provided with edges (2), a horizontal lower side (5) and a horizontal decorative upper surface (3), whereby the floor boards (1) are provided with lower joining lips (10) at two adjacent edges (2) while the two remaining edges (2) are provided with upper joining lips (20), characterised in that the lower joining lips (10) are provided with essentially vertical lower lip surfaces (11) arranged parallel to the closest edge (2) which lower lip surfaces (11) are intended to interact with mainly vertical upper lip surfaces (21) arranged on the upper joining lips (20) so that two joined adjacent floor boards (1) are locked together in a horizontal direction and that the joining lips (10 and 20 respectively) are provided with one or more heels (31) intended to snap join with recesses (32) adapted thereto which, by being provided with essentially horizontal locking surfaces, limits vertical movement between two joined adjacent floor boards (1).
2. Flooring material according to claim 1, characterised in that the joint between two floor boards (1) joined together includes fitting surfaces which are comprised by the horizontal locking surfaces on the recesses (32) and the heels (31), the vertical upper lip surfaces (11) and upper fitting surfaces (3').
3. Flooring material according to claim 2 characterised in that the joint between two floor boards (1) joined together also includes cavities (6).
4. Flooring material according to claim 3 characterised in that the heel (31) is constituted by a resilient part which is arranged in a cavity (6).
5. Flooring material according to claim 3 characterised in that the recess (32) is constituted by a resilient part (7) which is arranged in a cavity (6).
6. Flooring material according to claim 4 or 5 characterised in that the resilient part is constituted by an extruded thermoplastic profile.

7. Flooring material according to claim 4 or 5 characterised in that the resilient part (7) is constituted by a profile made of thermosetting resin.
8. Flooring material according to claim 4 or 5 characterised in that the resilient part (7) is constituted by a profile made of metal.

AMENDED CLAIMS

[received by the International Bureau on 06 June 2000 (06.06.00);
original claim 1 replaced by new claim and
remaining claims unchanged; (2 pages)]

1. Flooring material intended to be joined vertically including floor boards (1) with an essentially square, rectangular or rhomboidal shape, which floor boards (1) are provided with edges (2), a horizontal lower side (5) and a horizontal decorative upper surface (3), whereby the floor boards (1) are provided with lower joining lips (10) at two adjacent edges (2) while the two remaining edges (2) are provided with upper joining lips (20), c h a r a c t e r i s e d in that the lower joining lips (10) are provided with essentially vertical lower lip surfaces (11) arranged parallel to the closest edge (2) which lower lip surfaces (11) are intended to interact with mainly vertical upper lip surfaces (21) arranged on the upper joining lips (20) so that two joined adjacent floor boards (1) are locked together in a horizontal direction and that the joining lips (10 and 20 respectively) are provided with one or more heels (31) intended to snap join with recesses (32) adapted thereto which, by being provided with essentially horizontal locking surfaces, limits vertical movement between two joined adjacent floor boards (1), whereby a flooring material comprising floor boards (1) which are joined by being pressed downwards has been achieved.
2. Flooring material intended to be joined vertically according to claim 1, c h a r a c t e r i s e d in that the joint between two floor boards (1) joined together includes fitting surfaces which are comprised by the horizontal locking surfaces on the recesses (32) and the heels (31), the vertical upper lip surfaces (11) and upper fitting surfaces (3').
3. Flooring material intended to be joined vertically according to claim 2, c h a r a c t e r i s e d in that the joint between two floor boards (1) joined together also includes cavities (6).
4. Flooring material intended to be joined vertically according to claim 3, c h a r a c t e r i s e d in that the heel (31) is constituted by a resilient part which is arranged in a cavity (6).

5. Flooring material intended to be joined vertically according to claim 3, characterised in that the recess (32) is constituted by a resilient part (7) which is arranged in a cavity (6).
6. Flooring material intended to be joined vertically according to claim 4 or 5, characterised in that the resilient part is constituted by an extruded thermoplastic profile.
7. Flooring material intended to be joined vertically according to claim 4 or 5, characterised in that the resilient part (7) is constituted by a profile made of thermosetting resin.
8. Flooring material intended to be joined vertically according to claim 4 or 5, characterised in that the resilient part (7) is constituted by a profile made of metal.

Fig. 1

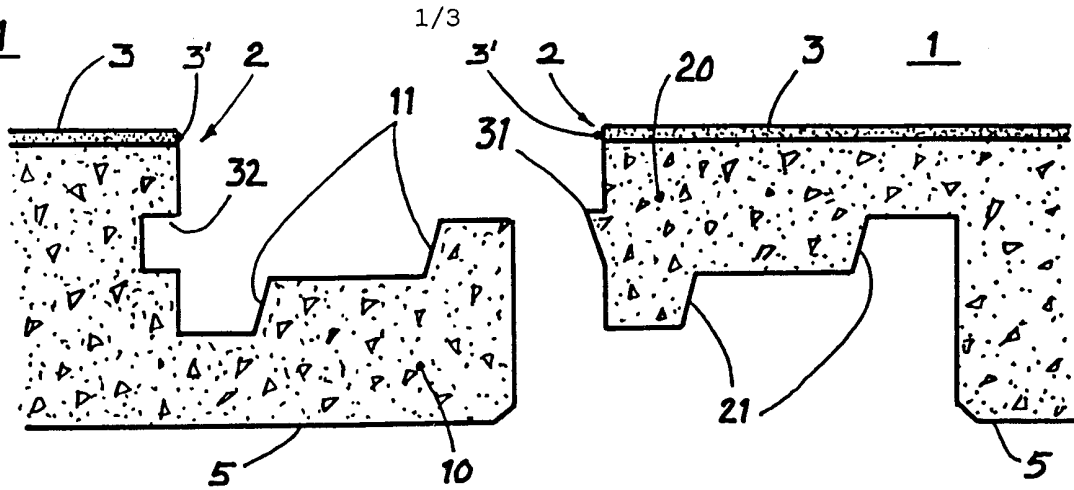


Fig. 2a

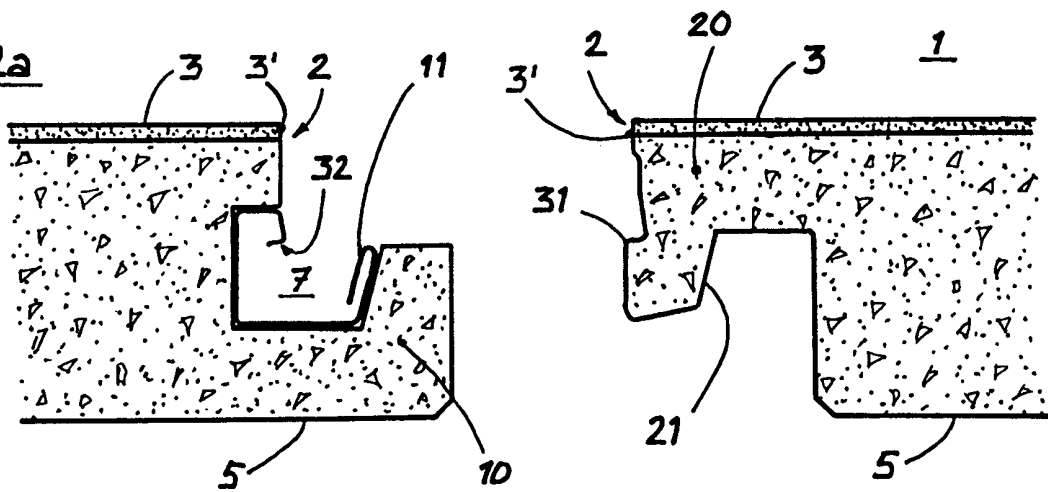


Fig. 2b

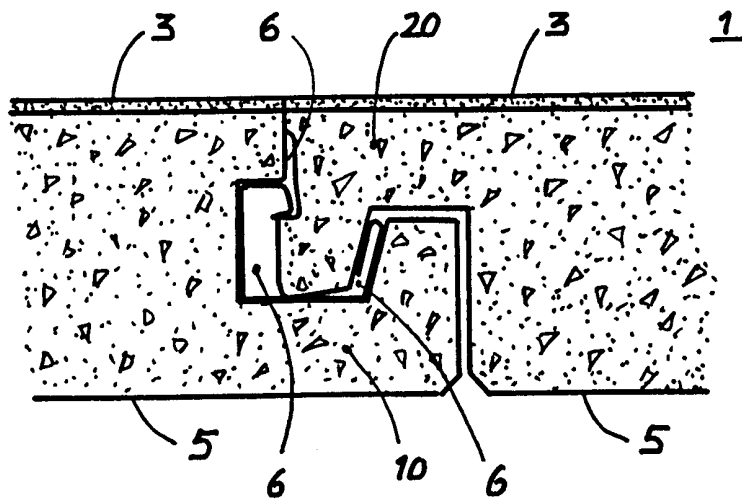


Fig. 3a

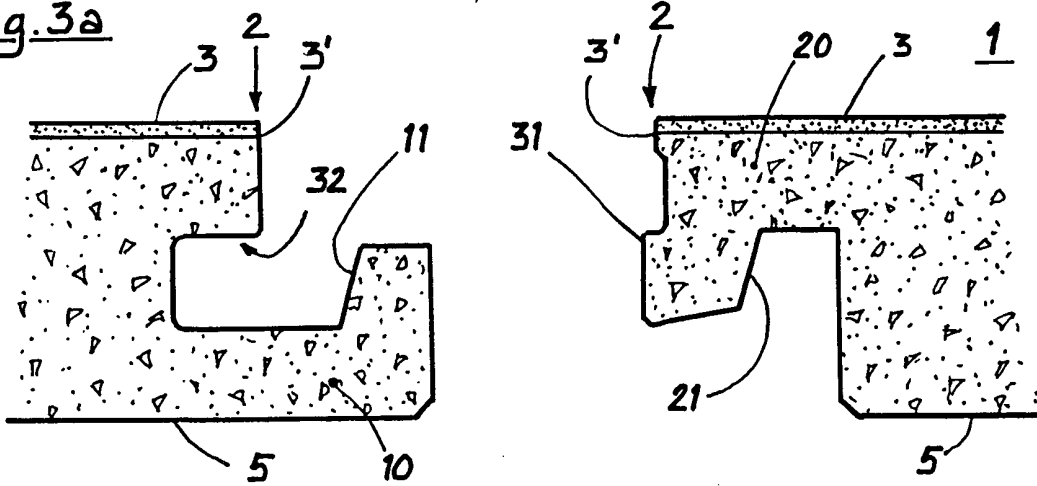


Fig. 3b

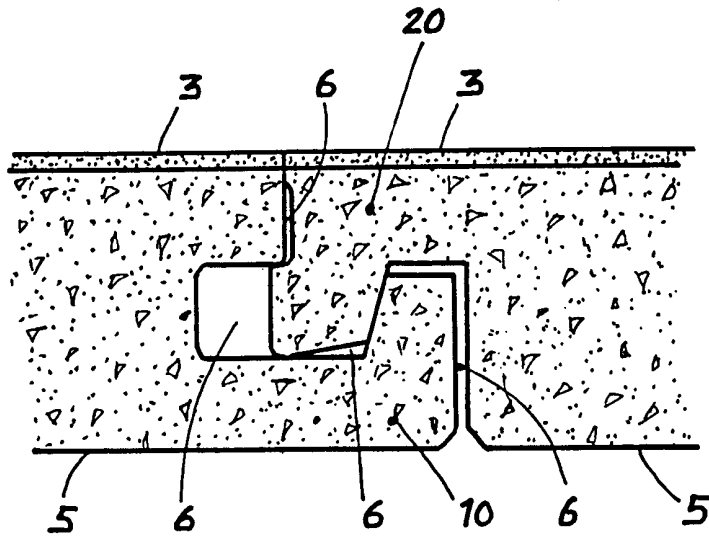


Fig. 4

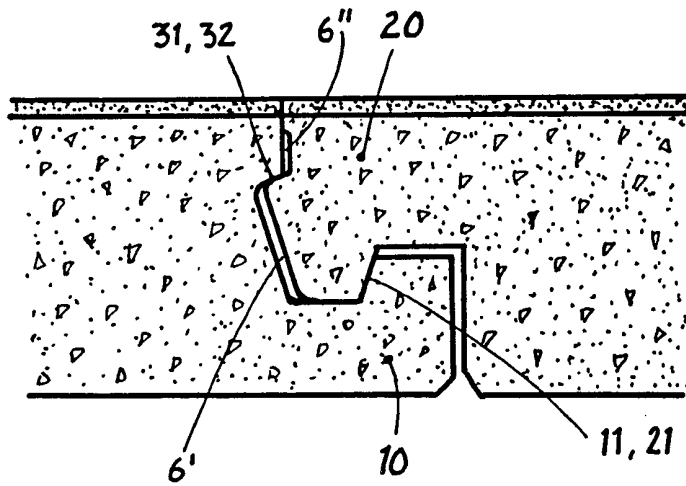
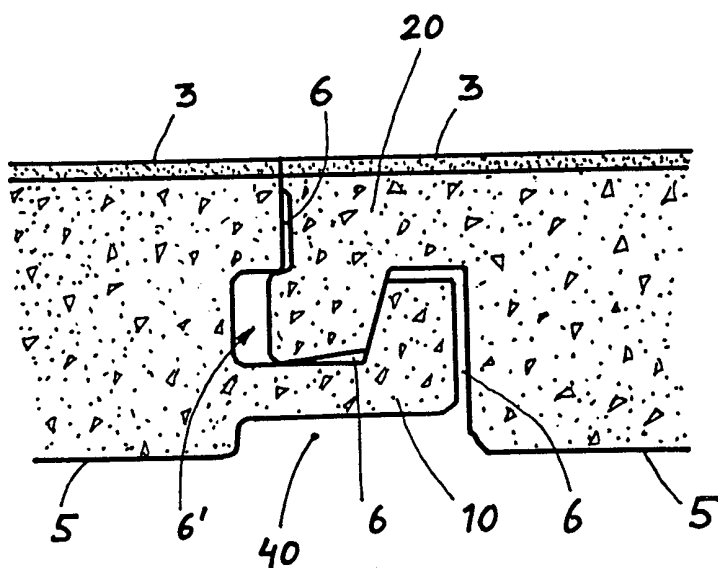


Fig. 5



INTERNATIONAL SEARCH REPORT

International application No.
PCT/SE 99/01700

A. CLASSIFICATION OF SUBJECT MATTER

IPC7: E04F 15/04
According to International Patent Classification (IPC) or to both national classification and IPC

B. FIELDS SEARCHED

Minimum documentation searched (classification system followed by classification symbols)

IPC7: E04F

Documentation searched other than minimum documentation to the extent that such documents are included in the fields searched

SE,DK,FI,NO classes as above

Electronic data base consulted during the international search (name of data base and, where practicable, search terms used)

C. DOCUMENTS CONSIDERED TO BE RELEVANT

Category*	Citation of document, with indication, where appropriate, of the relevant passages	Relevant to claim No.
X	SE 502994 C2 (PERSTORP FLOORING AB), 4 March 1996 (04.03.96), abstract, detail 10,11,16	1-2
Y	--	3-8
X	DE 3343601 C2 (BÜTEC GESELLSCHAFT FÜR BÜHNENTECHNISCHE EINRICHTUNGEN MBH), 12 February 1987 (12.02.87), figures 1-4, detail 14	1-2
Y	--	3-8
Y	WO 9747834 A1 (UNILIN BEHEER B.V.), 18 December 1997 (18.12.97), detail 81,21	3

Further documents are listed in the continuation of Box C. See patent family annex.

* Special categories of cited documents:

<p>"A" document defining the general state of the art which is not considered to be of particular relevance</p> <p>"E" earlier document but published on or after the international filing date</p> <p>"I" document which may throw doubts on priority claim(s) or which is cited to establish the publication date of another citation or other special reason (as specified)</p> <p>"O" document referring to an oral disclosure, use, exhibition or other means</p> <p>"P" document published prior to the international filing date but later than the priority date claimed</p>	<p>"T" later document published after the international filing date or priority date and not in conflict with the application but cited to understand the principle or theory underlying the invention</p> <p>"X" document of particular relevance: the claimed invention cannot be considered novel or cannot be considered to involve an inventive step when the document is taken alone</p> <p>"Y" document of particular relevance: the claimed invention cannot be considered to involve an inventive step when the document is combined with one or more other such documents, such combination being obvious to a person skilled in the art</p> <p>"&" document member of the same patent family</p>
--	---

Date of the actual completion of the international search	Date of mailing of the international search report
17 January 2000	22 -01- 2000
Name and mailing address of the ISA	Authorized officer
Swedish Patent Office Box 5055, S-102 42 STOCKHOLM Facsimile No. +46 8 666 02 86	Örjan Nylund / MR Telephone No. +46 8 782 25 00

INTERNATIONAL SEARCH REPORT

Information on patent family members

02/12/99

International application No.

PCT/SE 99/01700

Patent document cited in search report	Publication date	Patent family member(s)	Publication date
SE 502994 C2	04/03/96	AU 710758 B	30/09/99
		AU 2941495 A	25/01/96
		AU 5017696 A	23/09/96
		EP 0730435 A	11/09/96
		JP 9502639 T	18/03/97
		SE 9500809 A	04/03/96
		US 5779477 A	14/07/98
		WO 9627719 A	12/09/96
DE 3343601 C2	12/02/87	CH 666499 A,B	29/07/88
WO 9747834 A1	18/12/97	AU 3256997 A	07/01/98
		BE 1010339 A	02/06/98
		BE 1010487 A	06/10/98
		BG 62216 B	31/05/99
		BG 102230 A	30/09/98
		BR 9702325 A	09/03/99
		CA 2226286 A	18/12/97
		CN 1195386 A	07/10/98
		CZ 9800391 A	12/08/98
		DE 29710175 U	14/08/97
		EP 0843763 A	27/05/98
		JP 11510869 T	21/09/99
		NO 980569 A	10/02/98
		PL 324923 A	22/06/98
		SI 9720009 A	31/08/98
		SK 16398 A	09/09/98