



(86) Date de dépôt PCT/PCT Filing Date: 2016/01/20  
 (87) Date publication PCT/PCT Publication Date: 2016/07/28  
 (85) Entrée phase nationale/National Entry: 2017/07/19  
 (86) N° demande PCT/PCT Application No.: US 2016/014158  
 (87) N° publication PCT/PCT Publication No.: 2016/118645  
 (30) Priorités/Priorities: 2015/01/22 (US62/106,679);  
 2015/04/27 (US62/153,463); 2015/07/14 (US62/192,377)

(51) Cl.Int./Int.Cl. *A24F 47/00* (2006.01),  
*A24D 1/14* (2006.01), *A61M 15/06* (2006.01)  
 (71) Demandeurs/Applicants:  
 FONTEM HOLDINGS 1 B.V., NL;  
 WENSLEY, MARTIN, US;  
 HUFFORD, MICHAEL, US;  
 LLOYD, PETER, US  
 (72) Inventeurs/Inventors:  
 WENSLEY, MARTIN, US;  
 HUFFORD, MICHAEL, US;  
 LLOYD, PETER, US  
 (74) Agent: OKIMAW, RICHARD D.

(54) Titre : DISPOSITIFS DE VAPORISATION ELECTRONIQUE  
 (54) Title: ELECTRONIC VAPORIZATION DEVICES

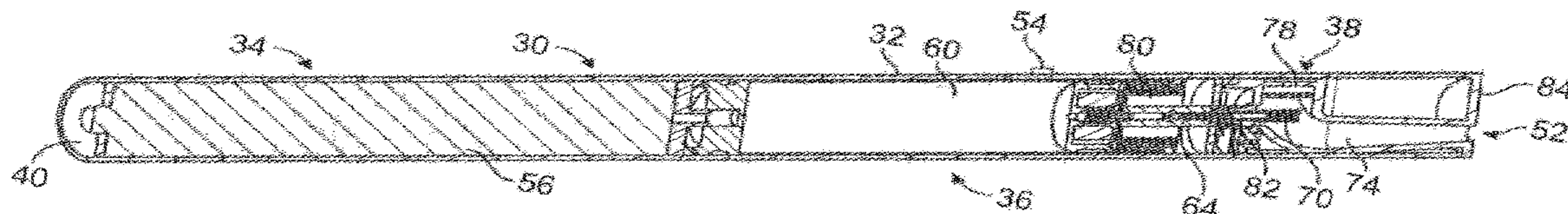


FIG. 2

(57) **Abrégé/Abstract:**

A device for generating a condensation aerosol includes a vaporization chamber having an upstream first inlet and a downstream outlet. A tube supplies liquid to a heater in the vaporization chamber. The liquid is pumped out of the tube and onto the heater, which vaporizes the liquid. Air flows from inlets through the vaporization chamber, and generally perpendicular to the tube. The vaporized liquid is entrained in the air, forming a condensation aerosol having a particle size in a selected range. A second inlet provides a substantially laminar flow of air into the airflow path, wherein the second inlet is downstream of the heater; and the device is capable of changing air flow in the vaporization chamber to change the particle size of the condensation aerosol and/or to change the amount of visible vapor emitted from the device.

### Abstract

A device for generating a condensation aerosol includes vaporization chamber having an upstream first inlet and a downstream outlet. A tube supplies liquid to a heater in the vaporization chamber. The liquid is pumped out of the tube and onto the heater, which vaporizes the liquid. Air flows from inlets through the vaporization chamber, and generally perpendicular to the tube. The vaporized liquid is entrained in the air, forming a condensation aerosol having a particle size in a selected range. A second inlet provides a substantially laminar flow of air into the airflow path, wherein the second inlet is downstream of the heater; and the device capable of changing air flow in the vaporization chamber to change the particle size of the condensation aerosol and/or to change the amount of visible vapor emitted from the device.

## ELECTRONIC VAPORIZATION DEVICES

### BACKGROUND OF THE INVENTION

[0001] Multiple factors can contribute to tobacco cigarette addiction. Some of the factors include addiction to nicotine or psychological factors including the smell, taste, or social associations of tobacco cigarette smoking. One factor that can drive cigarette addiction is the sensory cues associated with the inhalation and exhalation of smoke itself. Some electronic cigarettes create a large amount of vapor to simulate tobacco cigarette smoke. To avoid vapor deposition in the lung and to preclude exhalation of the vapor, some known devices provide aerosol particles between 0.2 microns and 0.6 microns. Aerosol particles in this size range can be too small to gravitationally settle in the lung during regular breathing. Consequently, they tend to be inhaled and then are subsequently exhaled.

[0002] Smokers can exhibit a wide range of inhalation profiles. Variation exist among smokers in inhalation rates and the total volume inhaled. Inhalation rates can also vary in different ways from the peak inhalation rate that the smoker achieves to the actual profile (e.g. an inhalation rate that starts slow compared to one that starts rapidly). The efficiency of deep lung deposition can be dependent on many factors such as aerosol particle size, the timing of the delivery of the aerosol to the lung (where in the inhalation volume – early vs. late) and inhalation rates. Inhalation profiles can also affect where aerosols are deposited in the respiratory tract. A more rapid inhalation rate can cause larger aerosol particles to deposit in the back of the throat, mouth and upper airway due to inertial impaction. Shallow breathers, with lower total inhalation volumes, can benefit

from aerosol delivered earlier in the inhalation volume, allowing the aerosol to be chased into the deep lung without leaving aerosol in the mouth, throat and upper airway.

**[0003]** These factors create engineering challenges in designing an electronic cigarette or other vaporization device that replicates the tobacco cigarette smoking experience. There is a need for new methods and devices for administering compounds, such as nicotine, to a user. In particular, there is a need for methods and devices for delivery of compounds to a user where the compounds are aerosolized to fall within a specified particle size range. For example, there is a need for improved methods and devices to deliver nicotine to a user in specified doses and in a specified particle range size without the carcinogens and other chemicals associated with tobacco products.

#### BRIEF STATEMENT OF THE INVENTION

**[0004]** A device for generating a vapor or condensation aerosol has a heater, such as a wire coil, around a tube in a vaporization chamber between an upstream inlet and a downstream outlet. A reservoir in the device holds a liquid. A pump supplies liquid from a reservoir into the tube. The liquid, which may include nicotine, flows onto the heater via outlets in the tube. The vaporization chamber is part of an airflow passageway which may be configured to produce a condensation aerosol having a particle diameter from about 1  $\mu\text{m}$  to about 5 microns.

**[0005]** The pump may optionally be completely or partially within the reservoir, or the pump may have a drive motor located outside of the reservoir. The drive motor may operate with a solenoid coil magnetically coupled to one or more magnets within the pump.

[0006] The airflow path through the vaporization chamber may have a second inlet configured to permit a substantially laminar flow of air into the airflow path, wherein the second inlet is downstream of the heater. The air flow path and/or openings into the air flow path may be changed to change the particle size of a condensation aerosol produced in the vaporization chamber, and/or to change the amount of visible vapor emitted from the device.

[0007] The device may have an inlet adjuster to control the size of the upstream first inlet. The inlet adjuster may be a slide configured to slidably cover the upstream first inlet, or a removable orifice configured to modify the upstream first inlet. The removable orifice, if used, is optionally configured to insert into the upstream first inlet. An opening of the removable orifice may have a cross-sectional area that is less than a cross-sectional area of the upstream first inlet.

[0008] The inlet adjuster may be electronically-controlled. A user interface may be provided in electronic communication with the inlet adjuster, with the user interface configured to allow a user to select a condensation aerosol particle size to be produced by the device. Multiple upstream first inlets may be used with the inlet adjuster to change the number of inlets used. The outlet may be in a mouthpiece connecting with the vaporization chamber, and a plurality of inlets upstream of the heater. A baffle may be located upstream of the heater, with the baffle configured to slide within the vaporization chamber, optionally based on a user input.

[0009] The device may include a flow sensor electrically connected to an electronic controller which receives and stores an inhalation profile of a user of the device, with the

device configured to modify a characteristic of the device based on the inhalation profile. The device may further include a user interface configured to permit a user to modify a characteristic of the device, which may provide more efficient delivery of the condensation aerosol to a deep lung of a user; cause a user of the device to exhale a  
5 lower fraction of the condensation aerosol; and/or adjust a sensory effect, such as mouth feel or appearance of the aerosol.

**[0010]** Alternatively, the modified characteristic may be an amount of liquid vaporized by the heater; an amount of current applied to the heater; or a size of the inlet. The flow sensor may be a hot wire or vane type flow meter or a pressure transducer configured  
10 to measure an inhalation vacuum. The pressure transducer, if used, may be configured to calculate an inhalation rate. The electronic controller may include a microprocessor and/or a wireless communication device. The device can be configured to calculate optimum parameters for condensation aerosol generation based on an inhalation profile of a user. In this case, the modified characteristics can include the aerosol particle size;  
15 the timing of aerosol generation in a user inhalation volume; a resistance to air flow through the device, or an inhalation rate of a user of the device.

**[0011]** The inhalation profile may include inhalation rates of a user over a period of time; a total volume of air inhaled; or a peak inhalation rate of a user of the device. The device may be programmed to automatically modify a characteristic of the device based  
20 on the inhalation profile, or to allow manual modification of a characteristic of the device by a user based on the inhalation profile.

## BRIEF DESCRIPTION OF THE DRAWINGS

[0012] FIG. 1 is a side perspective view of a cylindrical aerosol generating device.

[0013] Fig. 2 is a perspective section view of the device of Fig. 1.

5 [0014] Fig. 3 is a perspective view of the components of the device of Fig. 1 without the housing.

[0015] Fig. 4 is a section view of the device as shown in Fig. 3.

[0016] Fig. 5 is an enlarged perspective view of the heater of the device of Figs. 1-4.

[0017] Fig. 6 is an enlarged section view of the pump of the device as shown in Fig. 5.

10 [0018] Fig. 7 is a further enlarged perspective view of the vaporization chamber of the device of Fig. 1.

[0019] Fig. 8 is a diagram showing air flow.

[0020] Fig. 9 is a section view showing details of the heater.

[0021] Fig. 10 is a side view of the vaporization chamber.

[0022] Fig. 11 is a perspective section view of the pump.

15 [0023] Fig. 12 is a perspective view of an alternative pump.

[0024] Fig. 13 is a section view of a pump cartridge shown in Fig. 12.

[0025] Fig. 14 is an enlarged section view of the pump of the pump cartridge of Fig. 13.

[0026] Fig. 15 is a perspective section view of an alternative aerosol generating device.

[0027] Fig. 16 is an enlarged section view of the device of Fig. 15.

20 [0028] Fig. 17 is an enlarged section view of the pump shown in Fig. 16.

[0029] Fig. 18 is a section view of components of the pump shown in Fig. 17.

[0030] Fig. 19 is a diagram of a device having a mouth piece, a bypass air, a heater, a slide, inlet holes, and a slide of a device for generating an aerosol.

**[0031]** Fig. 20 is a diagram of a replaceable orifice of a device for generating an aerosol.

**[0032]** Fig. 21 is a diagram of a baffle slider used to modulate air flow and vaporization in a device for generating an aerosol.

**[0033]** Fig. 22 is a diagram of a slider used to modulate air flow and vaporization in a  
5 device for generating an aerosol.

#### DETAILED DESCRIPTION

**[0034]** Fig. 1 illustrates an example of an aerosol generating device 30 that is cylindrical and may have a size and shape similar to a tobacco cigarette, typically about 100 mm  
10 long with a 7.5 mm diameter, although lengths may range from 70 to 150 or 180 mm, and diameters from 5 to 20 mm. As shown in FIG. 2, the device 30 has a tubular housing 32 which may be a single piece, or may be divided into two or three separate housing sections, optionally including a battery section 34, a reservoir section 36 and a heater section 38. An LED 40 may be provided at the front end of the device 30 with an  
15 outlet 52 at the back end of the device 30.

**[0035]** In the example shown, a battery 56 and a liquid reservoir 60 are contained within the housing 32. The liquid reservoir 60 contains a liquid, such as a liquid nicotine formulation. A pump 64 is located behind or within the reservoir 60. The pump (e.g., a piston pump or diaphragm pump) can be mechanically or magnetically coupled to a  
20 pump motor 80. A check valve 82 allows a volume of liquid to flow from the reservoir 60 to the pump 64 for subsequent delivery to a heater 70. The heater 70 may be in the form of a wire coil. The reservoir may have floating end cap that moves to prevent vacuum conditions in the reservoir as liquid is consumed.

[0036] Alternatively, the heater may be provided in the form of a cylinder or plate of a screen or ceramic material, or a honeycomb or open lattice framework. The heater 70 is positioned within a aerosolization chamber 74 leading from an air inlet 78 to a duct 88 connecting to the outlet 52. The outlet 52 can optionally be in a mouthpiece 84 which is  
5 removable from the housing 32. The inlet 78 can be a single hole or a plurality of holes or slots. As shown in Fig. 10, the aerosolization chamber 74 may have an arc section 86 below the heater 70 (as oriented in the Figures) to better redirect air flow from perpendicular to the heater to parallel to the heater 70, as air flows through the aerosolizing chamber 74, into the duct 88 and out via the outlet 52. In the duct 88, the  
10 aerosol particles aggregate to the intended size.

[0037] The pump motor 80 may be located outside of the reservoir 60 and is mechanically or magnetically coupled to a piston 120 moveable within the pump. In operation, the pump motor 80 moves the piston 120 to deliver a volume of a liquid from the reservoir 60 onto the heater 70, with the heater 70 vaporizing the liquid. Air  
15 flowing through the air inlet 78 causes the vaporized liquid to condense forming an aerosol having a desired particle diameter within the vaporization chamber, prior to the aerosol flowing through the outlet 52. The pump motor 80 can be a magnetic motor designed to oscillate at a slow frequency (e.g., between 1 and 10 Hz). The volume pumped per stroke is determined by the preset stroke length and the diameter of the  
20 piston chamber. The electronic controller 46 can control for variability in battery condition and ensure consistent heating by direct measurement of resistance through the heater to control for changes in battery voltage/charge.

**[0038]** In Fig. 6, a tube 100 connects the reservoir 60 to the heater 70. The tube can be metal or an electrically resistive material. The tube 100 can be welded to an end of the heater 70. As shown in Fig. 7, the heater 70 is a coil wrapped around an end of the tube 100, with the heater coil having a length of 2-8 mm. In the example shown, the  
5 heater 70 is a 0.2 mm diameter stainless steel wire with about 9 to 12 coil loops concentric with the tube 100. The heater coil can have an end crimped into or onto an end of the tube 100 to form an electrical connection to the tube and to close off the end of the tube 100. The section of the tube 100 within the heater 70 may be referred to as a dispensing needle and it is generally concentric with the heater coil.

10 **[0039]** Referring to Fig. 9, the tube 100 and the coil may be round with the tube 100 having an outside diameter of 0.8 to 2 mm or 1 to 1.5 mm. The annular gap spaces the outside diameter of the tube 100 apart from the central section of the heater coil and is typically 0.1 to 0.5 or 1 mm, or 0.2 to 0.4 mm. The spacing between adjacent coil loops is generally 0.2 to 0.8 mm. Consequently, surface tension tends to hold the liquid within  
15 or around the heater coil. Also as shown in Fig. 9, the downstream end of the tube 100 may optionally simply be closed off using a plug 108, rather than via crimping or welding. The annular gap may optionally be omitted with the heater coil touching the tube.

**[0040]** As further shown in FIG. 7, the tube 100 has tube outlets 102 surrounded by the  
20 heater 70. The outlets 102 may be aligned on a common axis or they may be staggered or radially offset from each other. A portion of the tube 100 between the reservoir 60 and the heater 70 can be surrounded by a sleeve 104 to insulate the tube 100. The heater coil may be spot welded to the sleeve 104. In use electrical current

flows through the heater 70 by connecting the battery 56 to the tube 100 and the sleeve 104. In this example, the portion of the heater connected to or sealing the end of the tube as well as the portion of the heater connected to the sleeve 104 can serve as electrical contacts that serve to electrically couple the heater to the battery. The battery  
5 can be a 3.8 volt lithium battery with roughly 200 milliamp-hours of electrical energy, generally sufficient to last up to a day of moderate use. The battery is typically cylindrical with the electrodes or contacts on the flat opposite ends of the battery.

**[0041]** Referring back to Fig. 6, the valve 122A opens and allows liquid to enter the piston chamber 132 when the piston 120 moves away from the input end of the tube  
10 100 and closes when the piston 120 moves towards input end of the tube 100. Alternating or cycling movement of the piston 120 pumps the liquid from the input end 134 of the tube 100 distally toward an outlet end of the tube 100 at or near the heater 70 surrounding the outlet end 136 of the tube 100. A second valve 122B between the input  
15 end of the tube 100 and the outlet end of the tube 100 opens when the liquid is being delivered to the heater 70 and closes when the piston 120 is being refilled, to prevent any liquid being pulled backwards from the heater 70 into the piston chamber 132. Closing of the valve 122B can be designed to close of the end of the tube 100 once  
20 inhalation has stopped, to seal off the reservoir and preclude or prevent any seepage or leaking of liquid onto the heater 70 between puffs or inhalations. The valve 122B can be moved to the closed position via a magnet 126 or a spring.

**[0042]** The region of the tube 100 over which the piston 120 slides can have an outer diameter of 1 mm. In sliding over the tube 100, the piston 120 can travel about 0.75 mm such that a volume of about 0.5 ml of a liquid is pumped with each stroke of the pump,

with volumes per stroke of about 0.3 to 0.7 ml typical. With the pump operating at 5 Hz, 2 ml/second of liquid are supplied to the heater 70 in the example shown.

**[0043]** In operation, a user inhales on the outlet 52 of the device 30 such that the inhalation can be sensed by the sensor 50. Upon detection of the inhalation, the sensor  
5 50 activates the heater 70 through the electronic controller 4. Additionally, upon detection of inhalation, the electronic controller 46 activates the pump 64 to deliver a volume (i.e., dose) of the liquid from the reservoir 60 into the tube 100. As shown in Fig. 11, a sensor 50A may be located adjacent to the pump, optionally with a sensor probe connecting into the aerosolization chamber 74.

10 **[0044]** After the liquid is pumped into the tube 100, the dose of liquid is moved through the tube by positive displacement from the pump 64. A chamber section or portion 106 of the tube 100 is disposed within the aerosolization chamber 74 and surrounded by the coil heater 70. The liquid is pumped out of the tube 100 through the tube outlets 102 in the chamber section 106 of the tube. The outlets 102 act as ejection ports such that the  
15 fluid pressure from the pump ejects the liquid through the outlets 102 and onto the heater 70. The tube 100 can have 1, 2, 3, 4, 5, 6, 7, 8, 9 or 10 tube outlets 102, with the outlets having a diameter of from 0.2 to 0.5 mm. Three tube outlets 1012 are used in the example shown.

**[0045]** Referring to Fig. 8, the device 30 is configured to rapidly cool and condense  
20 vaporized nicotine mixture into a condensation aerosol. The particles in the aerosol continue to rapidly aggregate and grow due to collisions of the particles into even larger particles while still within the airway. This aggregation continues until a relatively stable aerosol of an appropriately sized aerosol is reached. When the user inhales, air enters

the device through inlet holes 200, which may be located around the periphery of the device about 2.5 cm from the outlet 52 of the device. The inlet holes are typically round and each inlet hole may have a diameter of 0.4 to 1.2 mm. Generally four, six or eight inlet holes are spaced around the circumference of the cylindrical housing. The air is  
5 then routed along a channel 202 around the periphery of the airway and flows through two metering slots 204 used to define the inhalation resistance through the device. The slots 204 may be holes with a diameter of 0.8 mm; next the air the air flows through eight slots 206 arranged around the inlet 208 of the airway, which distribute the air over the entire cross section of the airway. Each of the slots 206 may be 8 mm long and  
10 from about 0.7 mm to about 1mm wide.

**[0046]** The air then flows into the entrance of the airway and across the heater, perpendicular to the longitudinal axis of the heater. Finally the air flows through the duct 88 downstream of the heater with the vaporized nicotine mixture and out of the outlet 52. The inhalation resistance of the device in this example is approximately equal to  
15 the flow resistance of a tobacco cigarette, and thereby facilitated a mouth breathing maneuver (i.e., puffing) from the user of the device.

**[0047]** Upon movement of the dose of liquid through the tube outlets 102, the liquid contacts the heater 70 and is vaporized. The vaporized liquid flows through the chamber 74 in the inhaled air stream i.e., in air flowing between the inlet 78 and outlet  
20 52. The air flows at a flow rate (about 1 to about 10 lpm) effective to condense the vaporized liquid into an aerosol having a diameter (MMAD) of from about 1 micron to about 5 microns. Subsequently, the flows through the outlet 52 of the device and is inhaled to the deep lungs of the user.

[0048] Fig. 12 shows an alternative reservoir cartridge including a pump having piston magnets 130 in between a first valve 122 and a second valve 124, with the piston magnets 130 used to control movement of the piston.

[0049] The device 30 may be designed to produce an aerosol with a particle size in the 5 1 micron to 3 micron range. Aerosol particles in the 1 micron to 3 micron range can settle in the lung much more efficiently than smaller particles and are not readily exhaled. The devices and methods described here provide an electronic cigarette that can more closely replicate the nicotine deposition associated with tobacco cigarettes. The device 30 can provide a nicotine pharmacokinetics profile (PK) having the sensory 10 effects associated with tobacco cigarette smoking.

[0050] The device 30 may be designed to produce particles having a mass median aerodynamic diameter (MMAD) of from about 1 to about 5  $\mu\text{m}$ . The particles can have a geometric standard deviation (GSD) of less than 2. The aerosol can be generated from a formulation having a pharmaceutically active substance. The formulation can be 15 in a liquid or solid phase prior to vaporization. The substance may be nicotine, optionally stabilized using one or more carriers (e.g., vegetable glycerin and/or propylene glycol). The liquid formulation can have 69% propylene glycol, 29% vegetable glycerin and 2% nicotine).

[0051] The device 30 can have an flow resistance that is low enough to enable the user 20 to inhale directly into the lung. Low flow resistance can be generally advantageous for deep lung delivery of an substance, such as nicotine, and to enable rapid nicotine pharmacokinetics (PK). tobacco cigarettes can have a high enough flow resistance to

preclude direct to lung inhalation thereby requiring the user to inhale, or puff, by using a mouth breathing maneuver.

**[0052]** The aerosol can be further entrained in an entrainment flow of air supplied by one or more secondary passageways or inlets coupled to the chamber 74, as further  
5 described below relative to Figs. 19-22. The entrainment flow of air can entrain the aerosol in a flow effective to deliver the aerosol to the deep lungs of the user using the device. The primary entrainment flow can be from about 20 lpm to about 80 lpm, and the secondary entrainment flow can be from about 6 lpm to about 40 lpm.

**[0053]** The amount of the liquid formulation delivered by the pump may be controlled by  
10 setting a pump rate such that a specific pump rate corresponds to a specific volume delivered by the pump. Adjusting the pump rate from a first pump rate to a second pump rate can result in the pump delivering a different amount or volume of liquid formulation. The pump can be set at a first controlled rate such that a first amount of liquid is delivered to the heater which generates a first aerosol having a first size (e.g., diameter)  
15 and the pump rate is then changed to operate at a second controlled rate such that a second amount of the liquid is delivered to the heater which generates a second aerosol having a second size (e.g., diameter).

**[0054]** The first and second aerosols can have different sizes (e.g., diameters). The first aerosol can have a size (e.g., diameter) suitable for delivery and absorption into the  
20 deep lungs, i.e., about 1  $\mu\text{m}$  to about 5  $\mu\text{m}$  (mass median aerodynamic diameter or visual mean diameter). The second aerosol can have a size (e.g., diameter) suitable for exhalation from a user of the device such that the exhaled aerosol is visible, i.e., less than about 1  $\mu\text{m}$ . Alteration of the rates of the pump can occur during a single puff or

use of the device by a user. Alteration of the pump rate during a single use can occur automatically or manually, or during separate uses of the device by a user.

**[0055]** Automatic alteration of the pump rate can be accomplished by electrically coupling the pump to a circuit configured to switch the pump rate during operation of the device. The circuit can be controlled by a control program. The control program can be stored in the electronic controller 46, which may be programmable. A user of the device can select a desired aerosol size or sets of aerosol sizes by selecting a specific program on the electronic controller 46 prior to use of the device 30.

**[0056]** A specific program can be associated with a specific pump rate for delivering a specific volume of a liquid formulation in order to produce an aerosol having a desired size. If the user desires an aerosol with a different size (e.g., diameter) for a subsequent use, then the user can select a different program associated with a different pump rate for delivering a different volume of the liquid formulation in order to produce an aerosol with the newly desired size (e.g., diameter). A specific program may be associated with specific pump rates for delivering specific volumes of a liquid formulation in order to produce multiple aerosols having desired sizes. Each of the specific pump rates in a specific program can deliver in succession a specific volume of the liquid in order to produce a succession of aerosols of differing sizes (e.g., diameters) during a single use of the device.

**[0057]** Manual alteration of the pump rate can be accomplished by the user of the device pressing a button or switch 54 on the device during use of the device. Manual alteration can occur during a single use of the device or between separate uses of the device. The button or switch is electrically coupled to the electronic controller 46. The

electronic controller 46 can have program(s) designed to control the operation of the pump such that the pressing the button or switch 54 causes the electronic controller to alter the operation (e.g., pump rate) of the pump in order to affect delivery of a differing volume of the liquid formulation. The user of the device can press the button or flip the  
5 switch 54 while using the device or between uses of the device.

**[0058]** The aerosol generating device may be configured to produce an aerosol having a diameter of from about 1  $\mu\text{m}$  to about 1.2  $\mu\text{m}$ . Upon inhaling from an outlet of the device, a user can perform a breathing maneuver in order to facilitate delivery of the aerosol having a diameter of from about 1  $\mu\text{m}$  to about 1.2  $\mu\text{m}$  into the user's deep  
10 lungs for subsequent absorption into the user's bloodstream. The user can hold the breath during the breathing maneuver following inhalation of the aerosol and subsequently exhaling. The breath-hold can be for 1, 2, 3, 4, 5, 6, 7, 8, 9, or 10 seconds. The breath-hold can be from about 2 to about 5 seconds. Alternatively, the user can inhale and directly exhale the aerosol having a diameter of from about 1  $\mu\text{m}$  to  
15 about 1.2  $\mu\text{m}$ . Inhalation followed by direct exhalation can cause the generation of a visible vapor since a large percentage of the aerosol can be exhaled.

**[0059]** The user may select whether or not the user wants an aerosol generated by the aerosol generating device to be delivered to said user's deep lungs (e.g., alveoli) or be exhaled as a visible vapor. The device 30 may be configured to produce an aerosol size  
20 (e.g., aerosol diameter of about 1 micron) such that if a user of the device exhales directly without performing a breath hold, a majority or significant amount of the aerosol is exhaled as a visible vapor. The majority or the significant amount can be more than or greater than 50%, 60%, 65%, 70%, 75%, 80%, 85%, 90%, 95% or 99%. In this manner,

the user of the aerosol generating device can choose during use of the device if they desire deep lung delivery and/or production of a visible vapor.

[0060] As shown in Figs. 13 and 14, a cartridge 180 having a liquid reservoir 182 includes a cartridge pump 184 connected to an elongated housing 188 having a heater 186 at the tip. The elongated housing 188 can be surrounded by a retractable heater cap 190 provided to protect the heater when the cartridge is not installed into a device 30. The heater cap 190 may be retracted when the reservoir is inserted or connected to a separate component to form an aerosol generating device. The cartridge 180 can be one component in a multi-component aerosol generating device. The cartridge can be disposable or refillable.

[0061] In the example shown in Figs. 1-9, the reservoir may be refillable, non-replaceable and configured to hold 2 mg of a nicotine liquid mixture. At a 2% nicotine concentration, this size reservoir provides 40 ml of nicotine. If 40 mg of nicotine is assumed to roughly equal 40 burning tobacco cigarettes in terms of delivered nicotine, then the reservoir in the device in this example lasts between 1-3 days, depending on the intensity and frequency of use. The reservoir may be replaceable. A device 30 having a replaceable cartridge may be designed to: 1.) replace the cartridge only; 2.) replace the pump interior (not the magnetic solenoid with the cartridge); or 3.) replace the heater and pump interior with the cartridge. In this type of device, the non-replaceable portion of the device includes the battery and the electronics. The non-replaceable portion may also contain the vaporization chamber 74. In each of these configurations, the liquid may be held in rigid container or in a collapsible bag. If used, the collapsible bag may be constructed from multi-layer laminate material to

preserve the purity of the liquid. In operation, as liquid is consumed, the bag collapses.

**[0062]** In methods for aliquoting an substance (e.g., nicotine) to ensure dose-to-dose uniformity, an element having porous materials can wick out fluid at a particular rate in order to measure out a dose to provide dose-to-dose uniformity. A tube, e.g., a capillary tube can be used to measure out a dose, with heat used for ejecting a dose. A material or geometry of a device can be used to measure out a dose providing dose consistency controls for variability in environment and device. Inhalation flow control ensures that variability in inhalations by a user are controlled and corrected for, which can result in dose-to-dose consistency and predictable and desirable aerosol particle sizes.

**[0063]** The liquid may be metered out into a pre-vaporization area in a device (dosing mechanism) through capillary action. The metering can occur between inhalations of a user of a device. Upon inhalation by a user, liquid can be drawn into a vaporization chamber or onto a heater. The liquid can be drawn or metered out into a vaporization chamber or onto a heater upon inhalation by a user.

**[0064]** The vaporization device may include elements for separating out and reducing large aerosol particles to a size that can navigate to the deep lung of a user. In the deep lung, the particles can settle and be rapidly absorbed. For example, the aerosol size control can result in rapid, cigarette-like nicotine absorption, which can help to satisfy nicotine cravings. Aerosol particles having nicotine produced by the device can achieve peak plasma concentrations similar to peak plasma concentrations achieved by smoking a cigarette.

[0065] The device 30 may allow the user to vary the flow resistance, to better provide either deep lung delivery or replicate the puffing of a tobacco cigarette. By varying both the size of the inlet that controls the flow through the vaporization region and the size of the bypass or secondary inlet, the user can control the flow resistance through the device and the resultant aerosol particle size. The flow resistance can be varied over time, for example over a month, days, hours, or minutes. The flow resistance can be varied within the same "smoking session."

[0066] For example, a user can select a high flow resistance and small particle size to more closely replicate the sensation, perception or the nicotine pharmacokinetics (PK) associated with smoking a tobacco cigarette. A user can select or alter a flow resistance/particle size after several initial deep inhalations. A user can select the flow resistance/particle size to: maximize the nicotine hit or sensation within a series of inhalations (e.g., thereby reducing nicotine cravings), or to focus more on the sensory aspects of the vaping experience, e.g., to produce a large visible cloud of vapor. It can be advantageous in some settings to use a larger aerosol with little or no visible exhaled vapor.

[0067] Figs. 15-18 show an additional example of an aerosol generating device having a tubular housing, an inlet 140, an outlet 152, a pump 142, a reservoir 144, a heater 146, a sensor 148 and an airway 150. As with the device 30 shown in Figs. 1-9, the inlet 140 can be a single hole or a plurality of holes. The airway 150 can be a single passageway or configured with a primary passageway and one or more secondary passageways connecting into the primary passageway, generally downstream of the heater.

[0068] As shown in 17 and 18, the pump can be a pump having a first elastomeric membrane 154 which vibrates or oscillates back and forth. The pump can be completely or partially housed within the reservoir 144. As shown in FIG. 17, the pump motor 158 can be located adjacent to the reservoir 60 and can be a solenoid coil. The pump 142 can have a magnet 160 held in the first elastomeric membrane 154 and used to control movement of the pump 142. The pump 142 can further have a second elastomeric 156 that can serve as valve for the liquid to enter a tube that terminates with a dispensing needle as described configured to eject or ooze the liquid onto the heater.

10 [0069] As shown in FIG. 19, the components of the pump shown in FIG. 16-18 can be held together with pins 162. FIG. 18 shows the slots or holes 164 within the pump 142 through which the liquid can pass into the pump and out of the pump into the tube and dispensing needle. The pump motor 158 may be a solenoid coil made from 36 gage magnet wire having 400 wraps and a resistance of around 10-11 Ohms. If the battery  
15 supplies a current of about 0.34 amps through the solenoid coil, the pump 142 is driven at about 5 Hz such that the liquid formulation is pumped at about 2-3 mg/second.

[0070] Figs. 19 and 20 show optional modifications of the device 30. The particle size provided by a device 30 may be controlled by controlling the amount of air that entrains the vaporizing nicotine mixture. Control of flow rate through the vaporization chamber  
20 1102 can be accomplished by controlling the size of the primary air inlet(s) 1104 to the vaporization chamber. By controlling the size of the opening, the resulting particle size can be controlled. The user may vary this opening size to control the particle size, and

thereby affect the vaping experience in terms of the amount of visible vapor produced by the device, as well as other sensory characteristics.

**[0071]**A user may choose a larger particle size (1-3  $\mu\text{m}$ ) to more closely replicate the nicotine deposition of cigarettes, as well as vape in a more discrete manner, and in  
5 another case they may choose a 0.5  $\mu\text{m}$  aerosol to more closely mimic the visual aspects of exhaling a visible vapor, like smoking. This can be accomplished by a user manipulated movable adjusting element such as a slide 1106 or other method of varying the entrance opening size as shown in Figs. 19 and 22. The device can also come with exchangeable orifices 1120 that the user inserts into the device as shown in Fig. 20.  
10 Alternatively the device can have a user interface where the user selects the aerosol size and onboard electronics open or close the opening. A baffle slider 1130 may be positioned upstream of a heater 1108. The baffle slider 1130 can be used to divert air around a heater or vaporization region as shown in Fig. 21. The elements shown in Figs. 19-22 may also of course be used in other devices in addition to the device 30.

15 **[0072]**A user can switch the inhalation flow resistance and/or particle size characteristics of the vapor to focus more on the sensory aspects of the vaping experience. It can be advantageous in some settings to use a larger aerosol with little or no exhaled evidence where blowing huge plumes and smoke rings is socially unacceptable. In the device of Fig. 19, the slide 1106 can be moved to cover or  
20 uncover a primary air inlet 1104 upstream of the heater 1108, or a secondary air inlet 1110 downstream of the heater 1108.

**[0073]**As shown in Fig. 19, the device 30 can have a vaporization chamber 1102 and one or more upstream primary or first inlets 1104 and a downstream outlet 1112. An

WO 2016/118645

PCT/US2016/014158

airflow path 1150 leads into the vaporization chamber. The secondary inlet 1110, if used, allows a substantially laminar flow of air into the airflow path, with the secondary inlet 1110 downstream of the heater 1108.

**[0074]** The device may be capable of modifying a size of the outlet 1112 and/or the inlet 1104 and/or the secondary inlet 1110 via an adjusting element such as the baffle slider 1130. The adjusting element may alternatively be a flow restrictor or a fixed or movable baffle, which may be located upstream of the heater, and optionally configured to slide within the vaporization chamber. A vaporization chamber 1102 can be configured to limit a flow of a gas through the airflow path 1150 to permit condensation of a vaporized liquid formulation.

**CLAIMS**

1. A device for generating an aerosol, comprising:
  - a liquid reservoir for holding a liquid;
  - 5 a tube including one or more tube outlets;
  - a heater around the tube;
  - a pump positioned to pump liquid from the reservoir through the tube, out through the tube outlets, and onto the heater.
2. The device of claim 1 wherein the heater comprising a wire coil surrounding the tube.
- 10 3. The device of claim 2 with the heater in an aerosolizing chamber having one or more air inlets, and an air outlet oriented perpendicular to the air inlets.
4. The device of claim 2 further including a battery having a first electrode electrically connected to a first end of the wire coil and a second electrode electrically connected to the tube.
- 15 5. The device of claim 4 wherein the pump comprises a piston pump having a piston movable over a stroke length, and with each cycle of the piston pumping 0.1 to 1.0 ml of liquid through the tube.
6. The device of claim 3 further comprising an electronic controller electrically connected to a battery, to the pump, to the heater, and to a sensor adapted for sensing  
20 inhalation at the air outlet, with the electronic controller activating the pump and the heater upon sensing inhalation.
7. The device of claim 2 with the wire coil concentric with the tube.

8. The device of claim 7 with an annular gap spacing a central section of the wire coil apart from the tube.
9. The device of claim 1 further comprising liquid in the reservoir, with the liquid comprising propylene glycol, glycerin and 1% to 5% nicotine.
- 5 10. The device of claim 1 further comprising a tubular housing, with a battery at a first end of the tubular housing and the air outlet at a second end of the tubular housing, and with the reservoir between the battery and the pump, and with the pump between the reservoir and the aerosolization chamber.
11. The device of claim 10 with the tube parallel and concentric with the tubular  
10 housing.
12. The device of claim 5 with the pump including a piston pumping 0.3 to 0.7 ml of liquid with each stroke of the piston, and the piston cycling at 2 to 10 Hz.
13. The device of claim 6 wherein the aerosol generated has a particle size of 1 to 5 microns.
- 15 14. A device for generating an aerosol, comprising:
- a tubular housing having a first end and a second end;
  - a liquid reservoir in the housing for holding a liquid;
  - an aerosolization chamber in the housing;
  - a wire coil around a tube in the aerosolization chamber, with the tube having one  
20 or more tube outlets surrounded by the wire coil;
  - a pump in the housing at first end of the tube, with the pump connected to pump liquid from the reservoir through the tube, out through the tube outlets, and onto the wire coil; and

one or more air inlets leading into the aerosolization chamber and oriented substantially perpendicular to the tube.

15. The device of claim 14 further including and an air outlet oriented parallel to the  
5 tube.

16. The device of claim 14 with the wire coil concentric with the tube and with wire coil spaced apart from the tube by a 0.1 to 1 mm annular gap.

17. The device of claim 15 further comprising a second inlet configured to permit a substantially laminar flow of air into the housing downstream of the wire coil.

10 18. The device of claim 17 further including a movable adjusting element for adjusting air flow into the vaporization chamber to change the particle size of an aerosol produced in the vaporization chamber.

19. A device for generating a condensation aerosol, the device having:

15 a. a vaporization chamber configured to generate a condensation aerosol, wherein the vaporization chamber has an upstream inlet and a downstream outlet;

b. a heater in the vaporization chamber, wherein the heater is located between the upstream inlet and the downstream outlet;

c. a flow sensor; and

20 d. an electronic controller to receive an inhalation profile of a user of the device, wherein the device is configured to modify a characteristic of the device based on the inhalation profile.

20. The device of claim 19 wherein the characteristic is an amount of liquid vaporized by the heater or amount of current applied to the heater.

21. A method for creating an aerosol for inhalation, comprising:

- pumping a liquid from a liquid reservoir through a tube to a heater coil around  
5 the tube in an aerosolization chamber;
- providing electric current to the heater coil to heat the liquid into a vapor;
- flowing air across the heater coil with the vapor entrained in the flowing air and moving into a duct; and
- allowing the entrained vapor to cool and condense in the duct to form a  
10 condensation aerosol.

22. The method of claim 21 with the air flowing in a direction perpendicular to the tube.

23. The method of claim 21 further comprising holding the liquid between the heater coil and an outside surface of the tube via liquid surface tension.

15 24. The method of claim 22 further comprising initiating the pumping and the providing of electric current in response to sensing inhalation.

25. The method of claim 24 wherein the duct is parallel to the tube.

26. The method of claim 25 with the heater coil concentric with the tube and with an annular gap of 0.1 to 1 mm between the heater coil and an outer cylindrical surface of the tube.

20 27. The method of claim 25 with the condensation aerosol having a particle size of 1 to 5 microns.

28. The method of claim 21 further comprising adjusting an amount of air flowing across the heater coil by adjusting a size of an air inlet.

29. The method of claim 21 further including pumping liquid at a first controlled rate such that a first amount of liquid is delivered to the heater which generates a first aerosol having a first particle size and the pump rate is then changed to operate at a second controlled rate such that a second amount of the liquid is delivered to the heater  
5 which generates a second aerosol having a second particle size.

30. A method for creating an aerosol for inhalation, comprising:

moving a liquid from a liquid reservoir to a heater coil in an aerosolization chamber of an inhalation device;

providing electric current to the heater to heat the liquid into a vapor;

10 flowing air through an air inlet and over the heater with the vapor entrained in the flowing air; and

modifying a characteristic of the device based on an inhalation profile of a user of the device.

31. The method of claim 30 further including sensing flowing air through the device,  
15 providing sensed air flow information to an electronic controller, with the electronic controller storing the sensed air flow information.

32. The method of claim 30 with the modified characteristic including an amount of liquid vaporized by the heater; an amount of electrical current applied to the heater; or a size of the inlet.

20 33. The method of claim 30 with the modified characteristic including the aerosol particle size; the timing of aerosol generation in a user inhalation volume; a resistance to air flow through the device, or an inhalation rate of a user of the device.

34. The method of claim 30 with the inhalation profile including inhalation rates of a user over a period of time; a total volume of air inhaled; and/or a peak inhalation rate of a user of the device.

35. The method of claim 31 with the electronic controller programmed to automatically  
5 modify a characteristic of the device based on the inhalation profile, or to allow manual modification of a characteristic of the device by a user based on the inhalation profile.

36. A cartridge for use in a vaporization device, comprising:

a housing;

a liquid reservoir in the housing containing a liquid;

10 a heater supported by the housing;

a pump in the housing positioned to pump liquid from the liquid reservoir to  
the heater.

37. The cartridge of claim 36 further including a retractable heater cap on the heater.

15

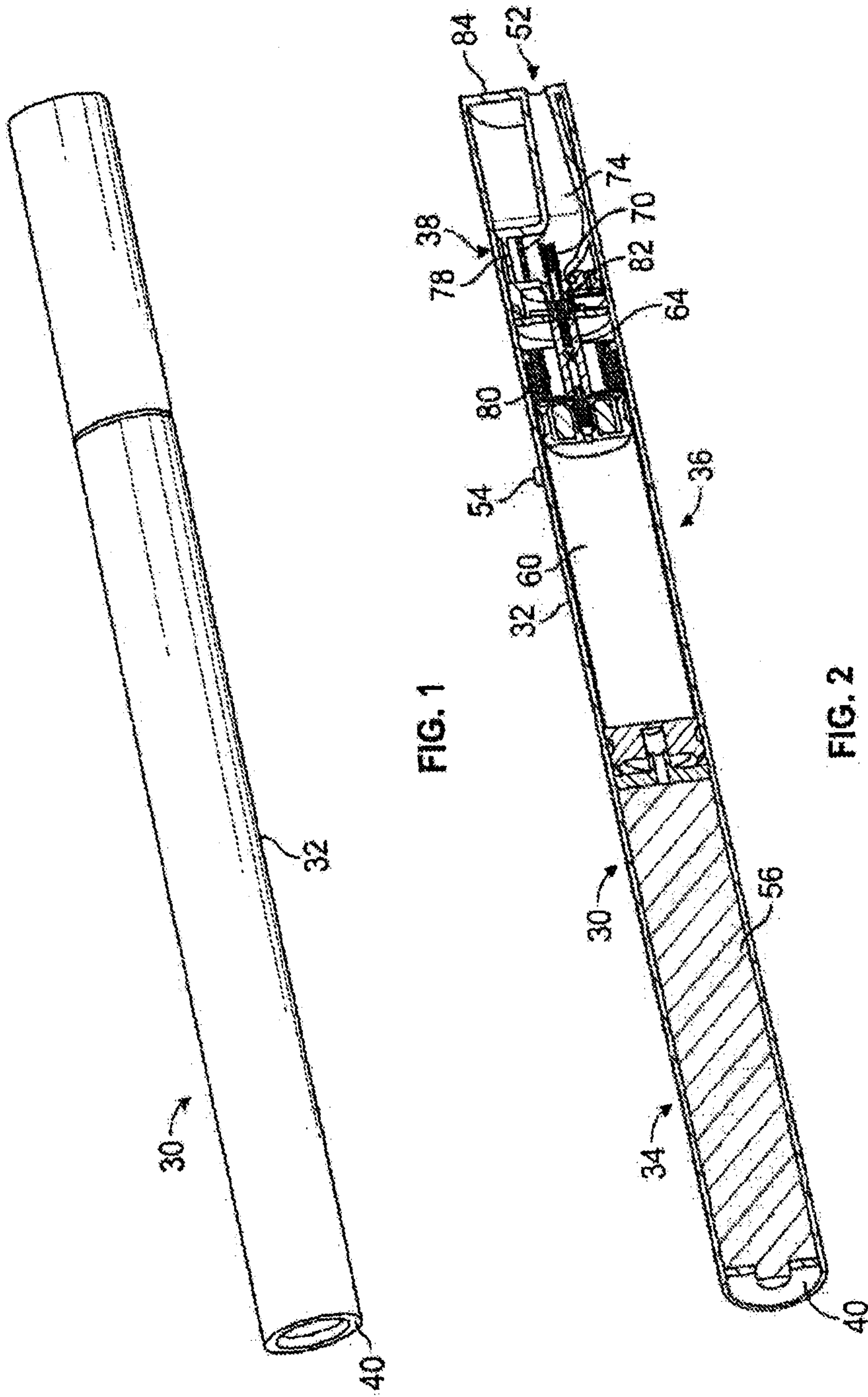


FIG. 1

FIG. 2

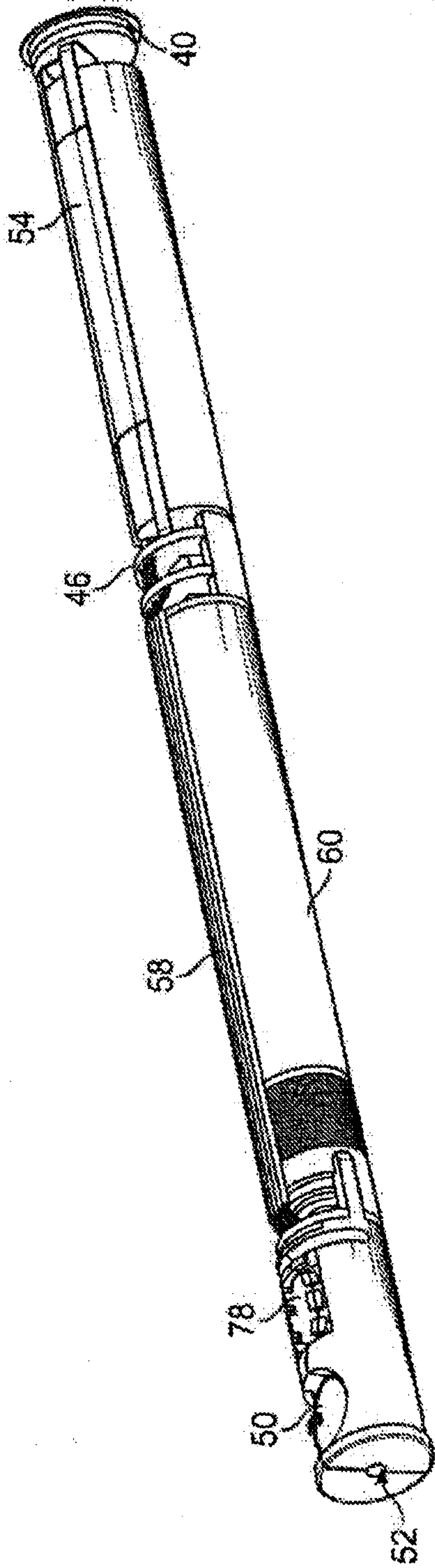


FIG. 3

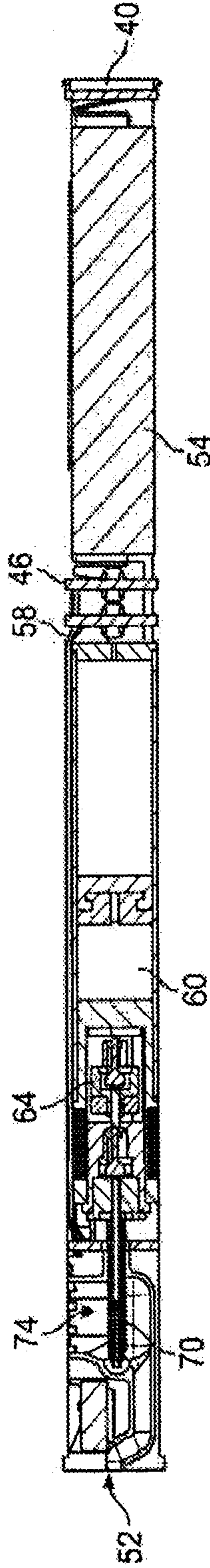


FIG. 4

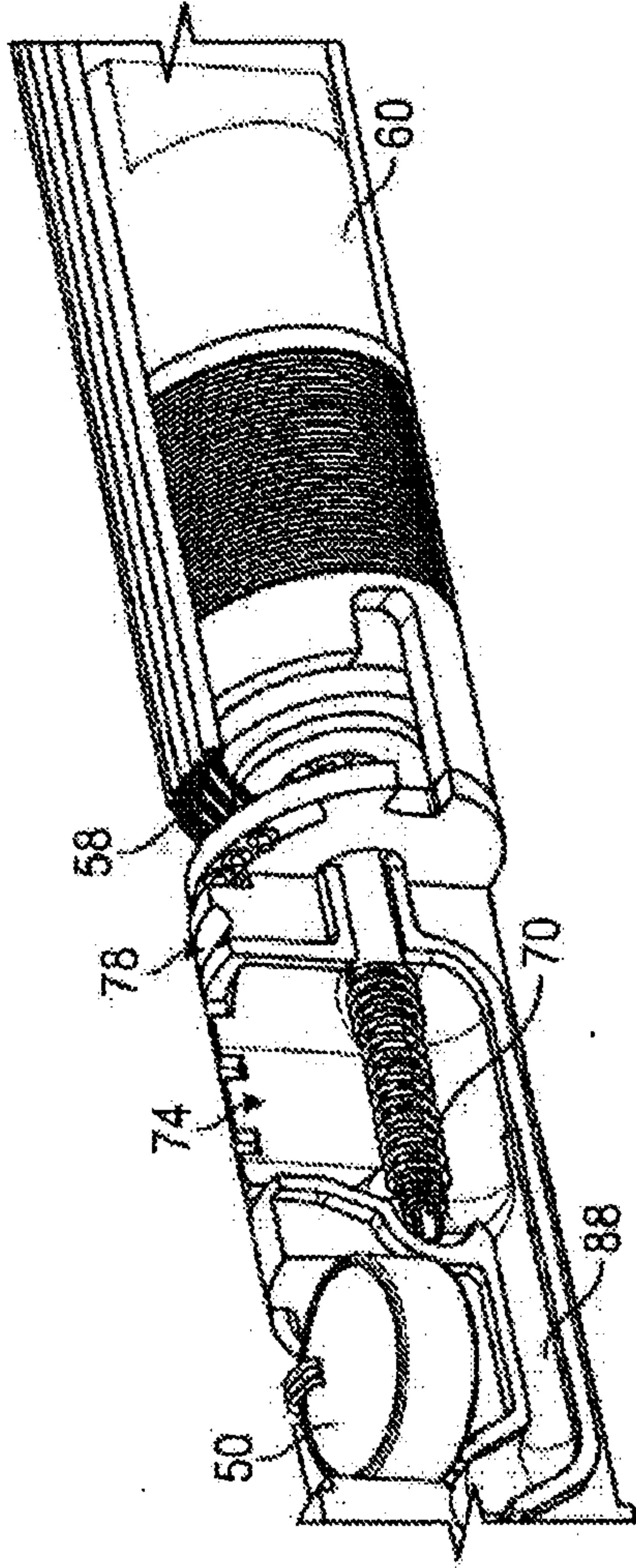


FIG. 5

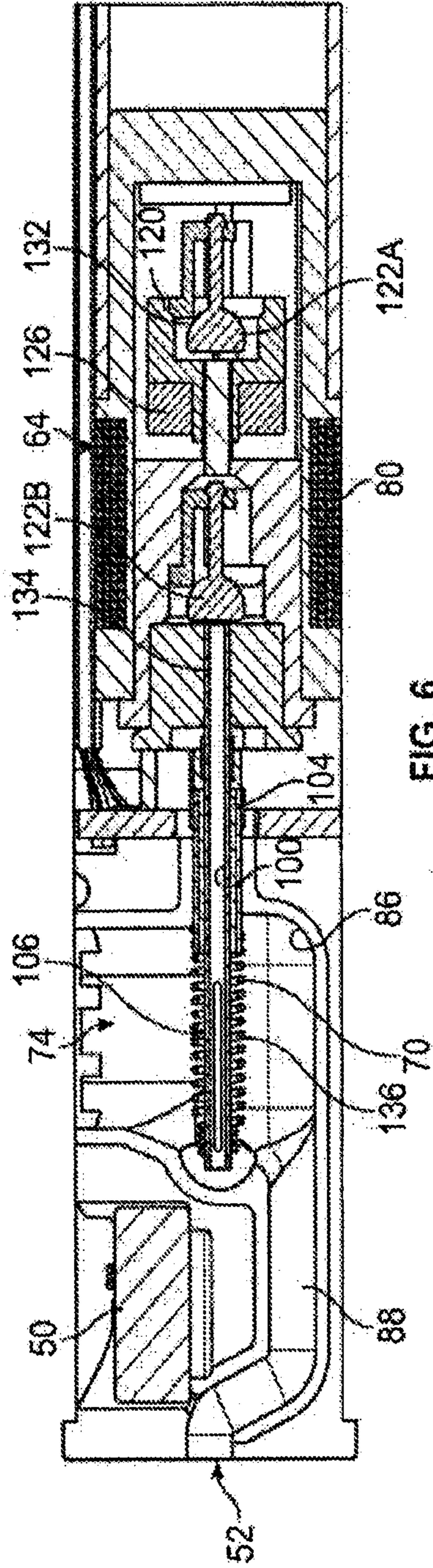


FIG. 6

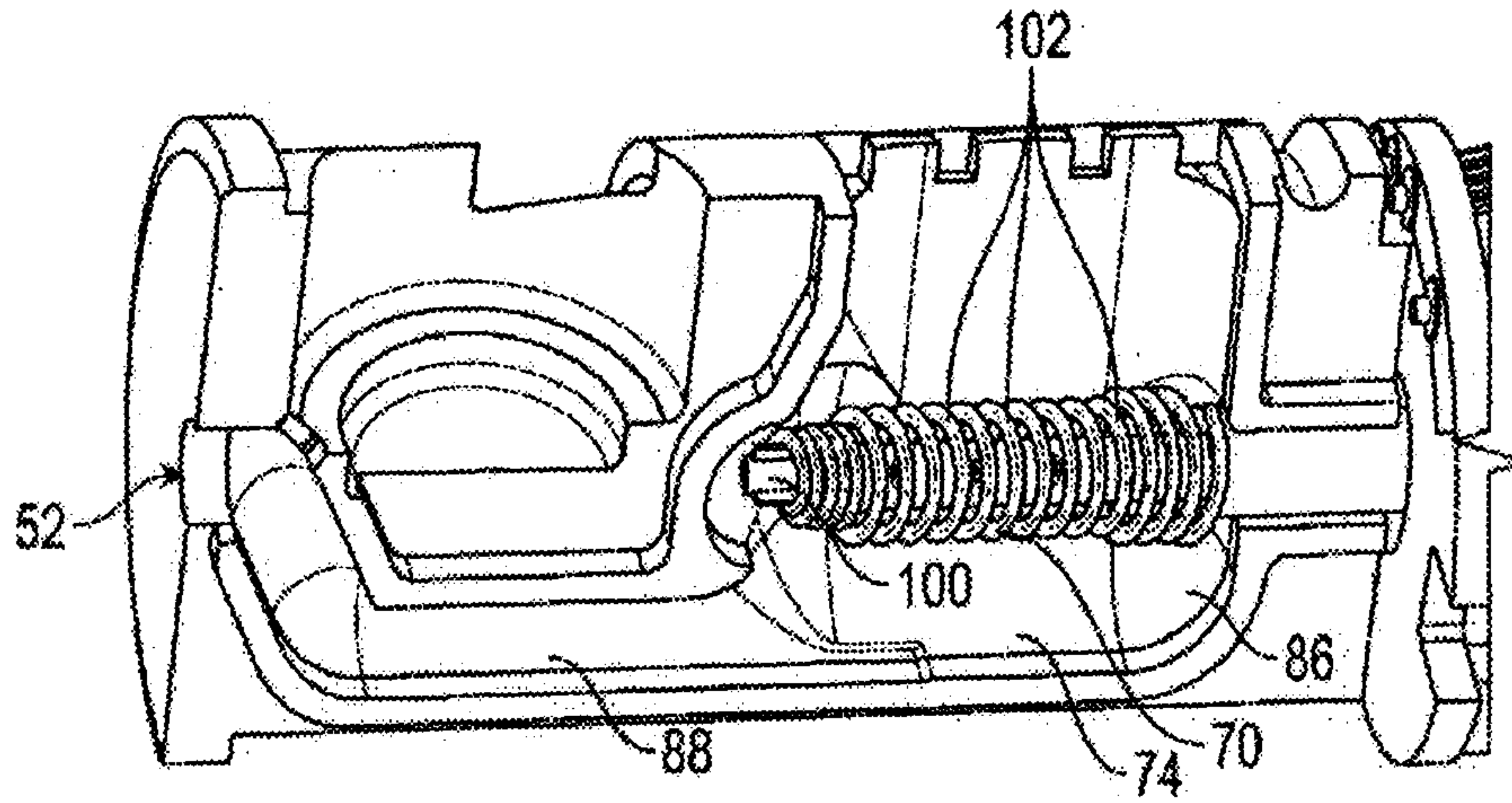


FIG. 7

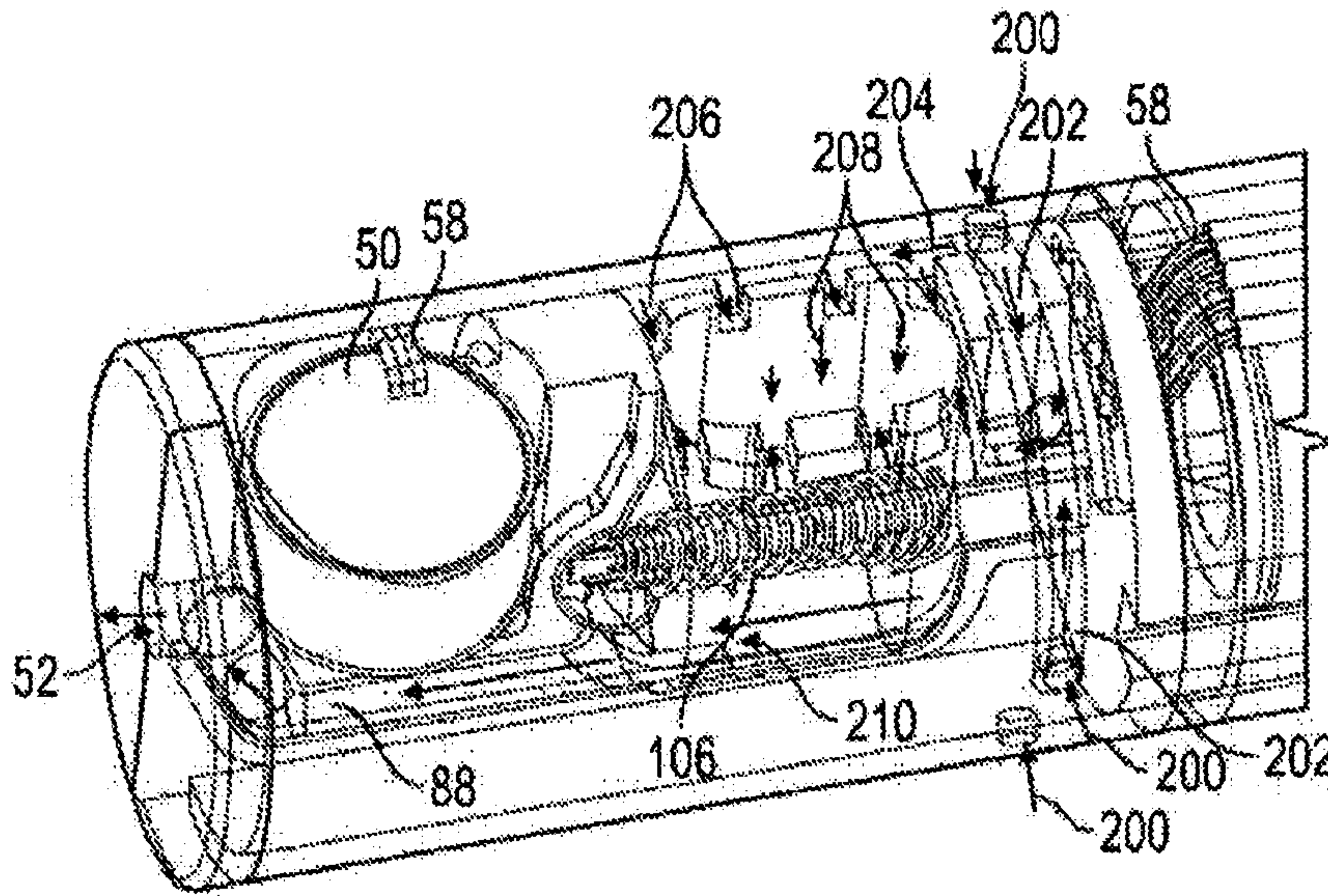


FIG. 8

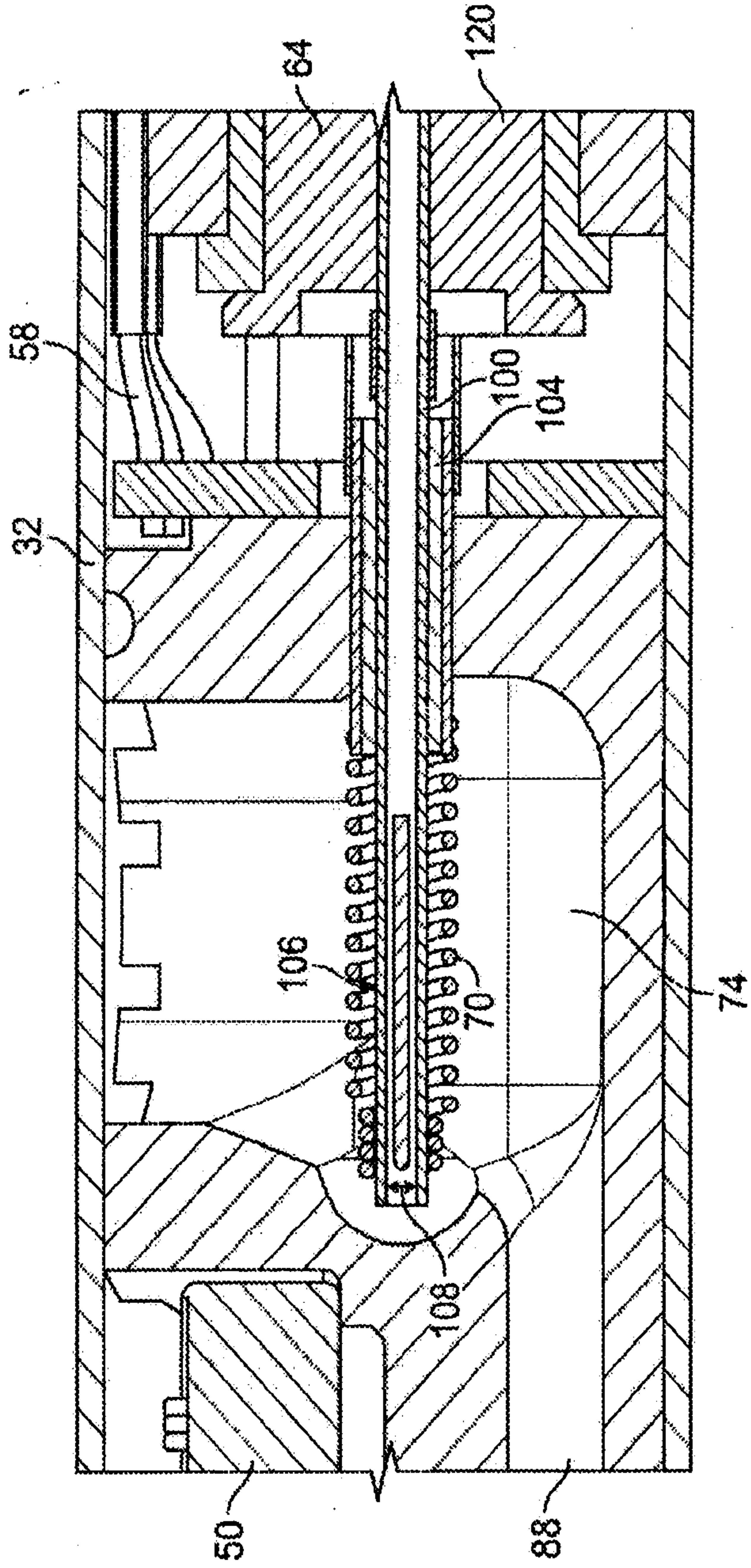


FIG. 9

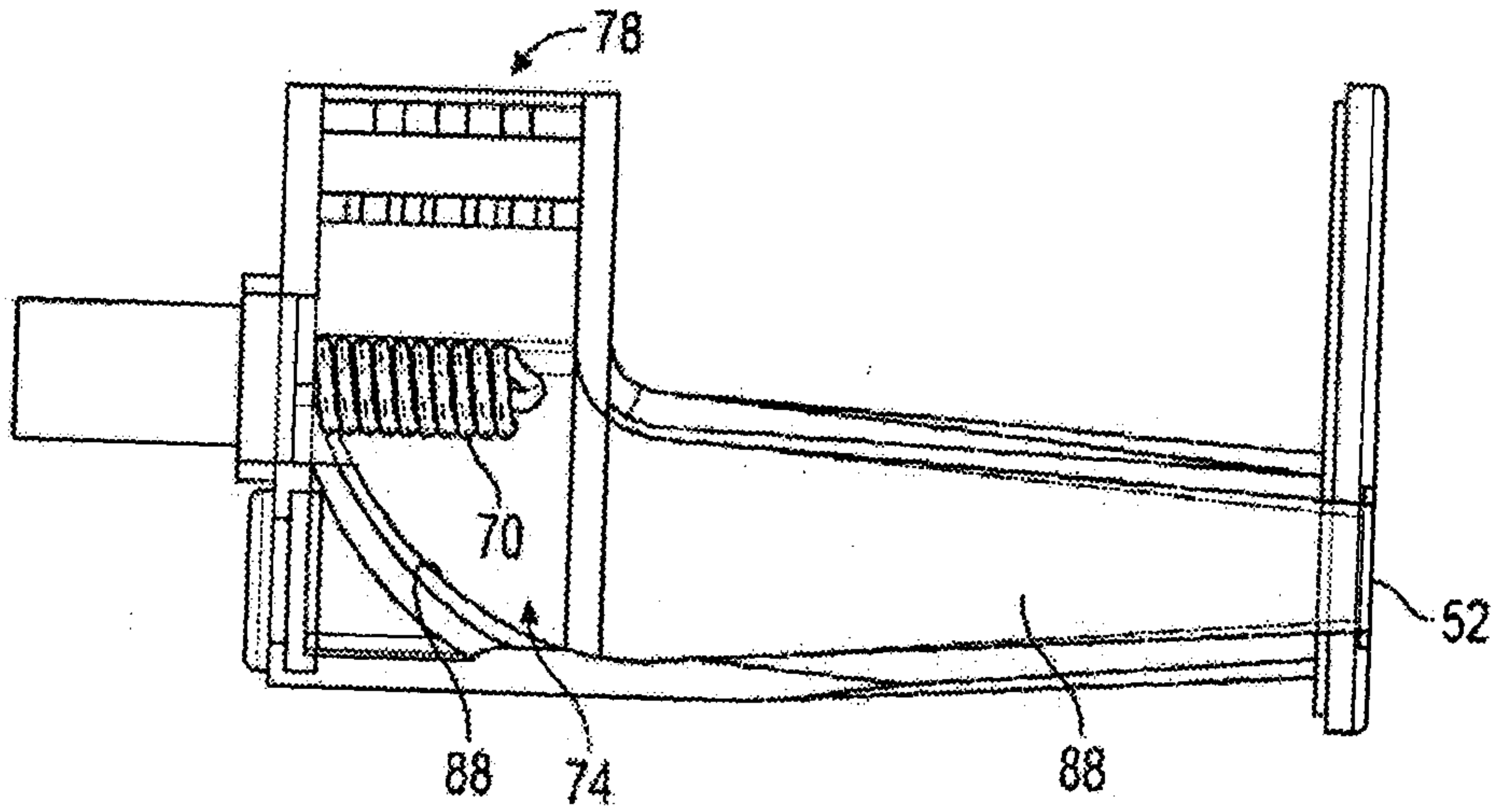


FIG. 10

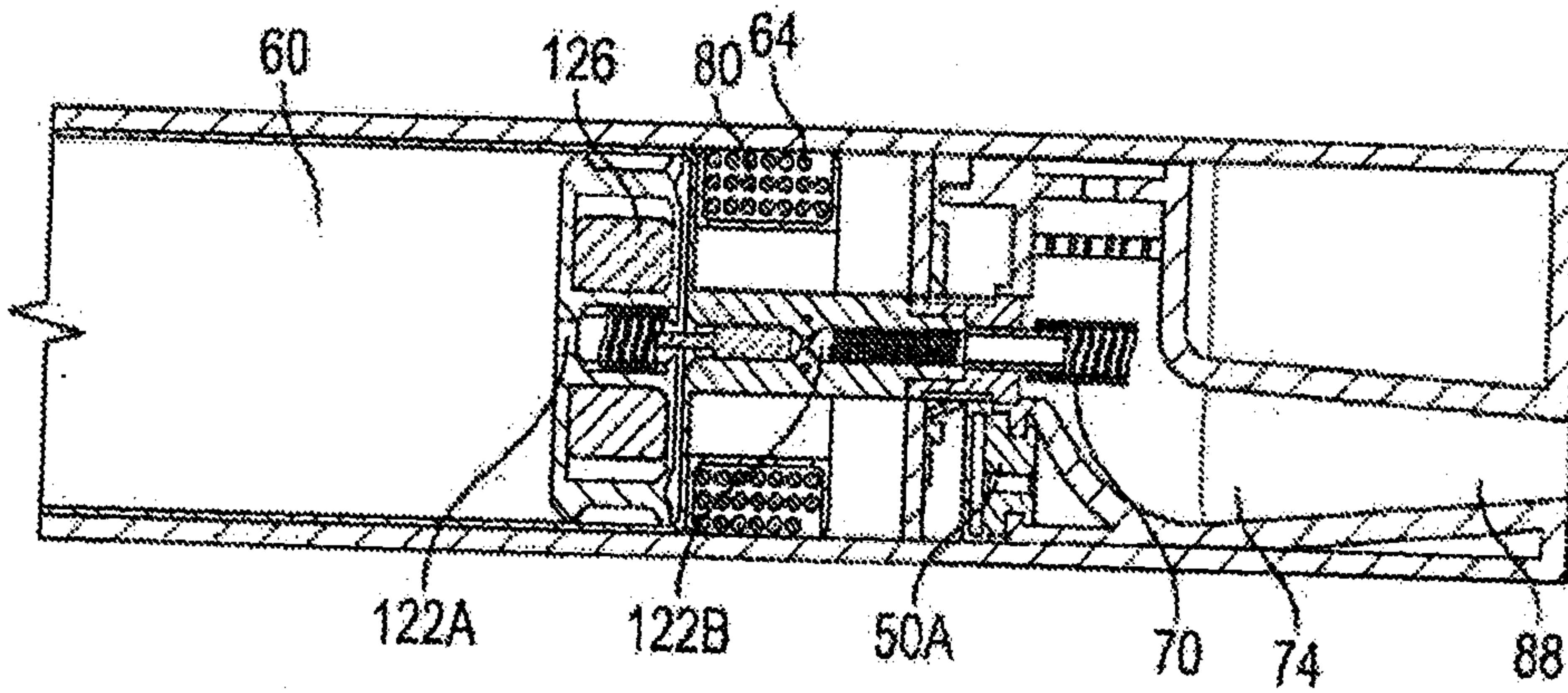


FIG. 11

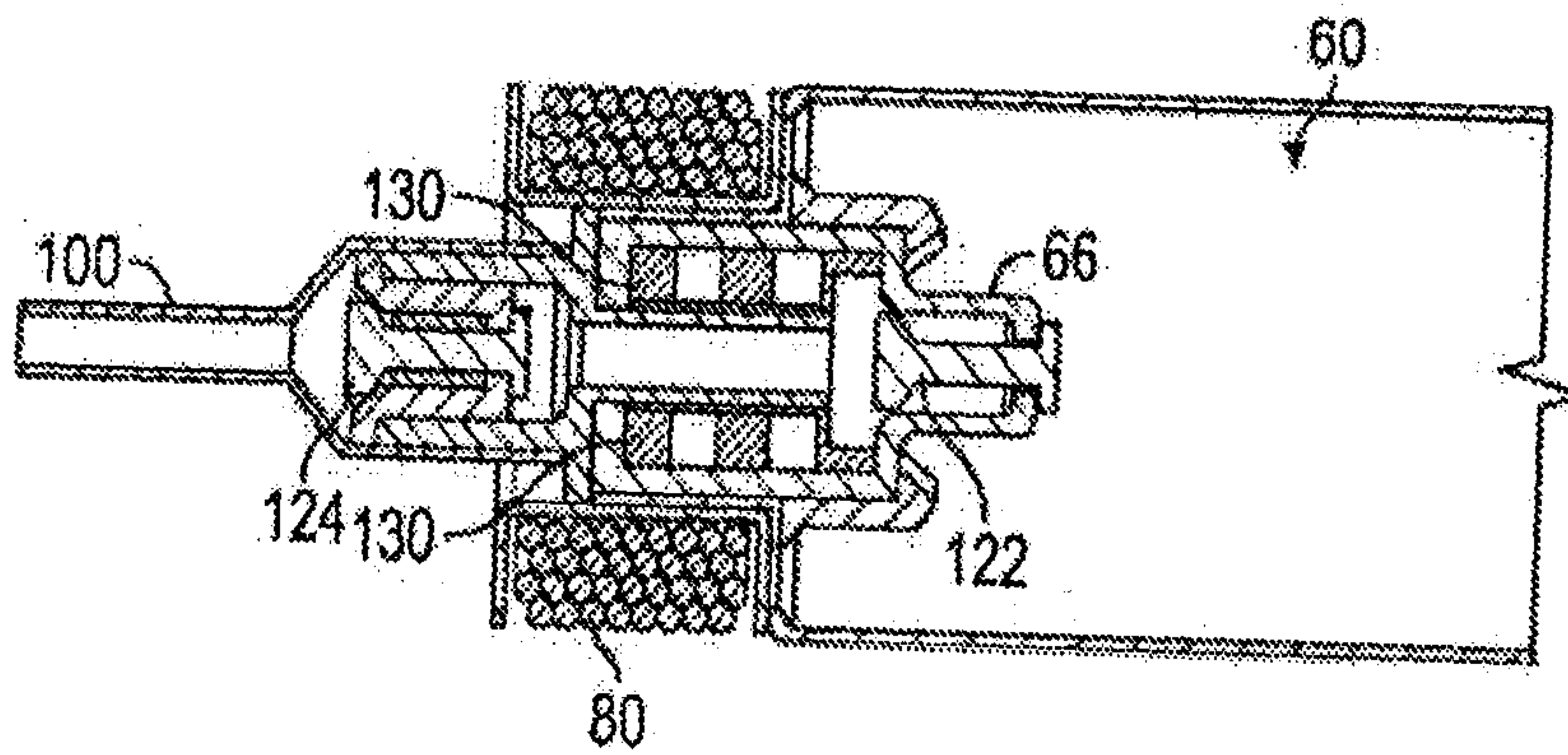


FIG. 12

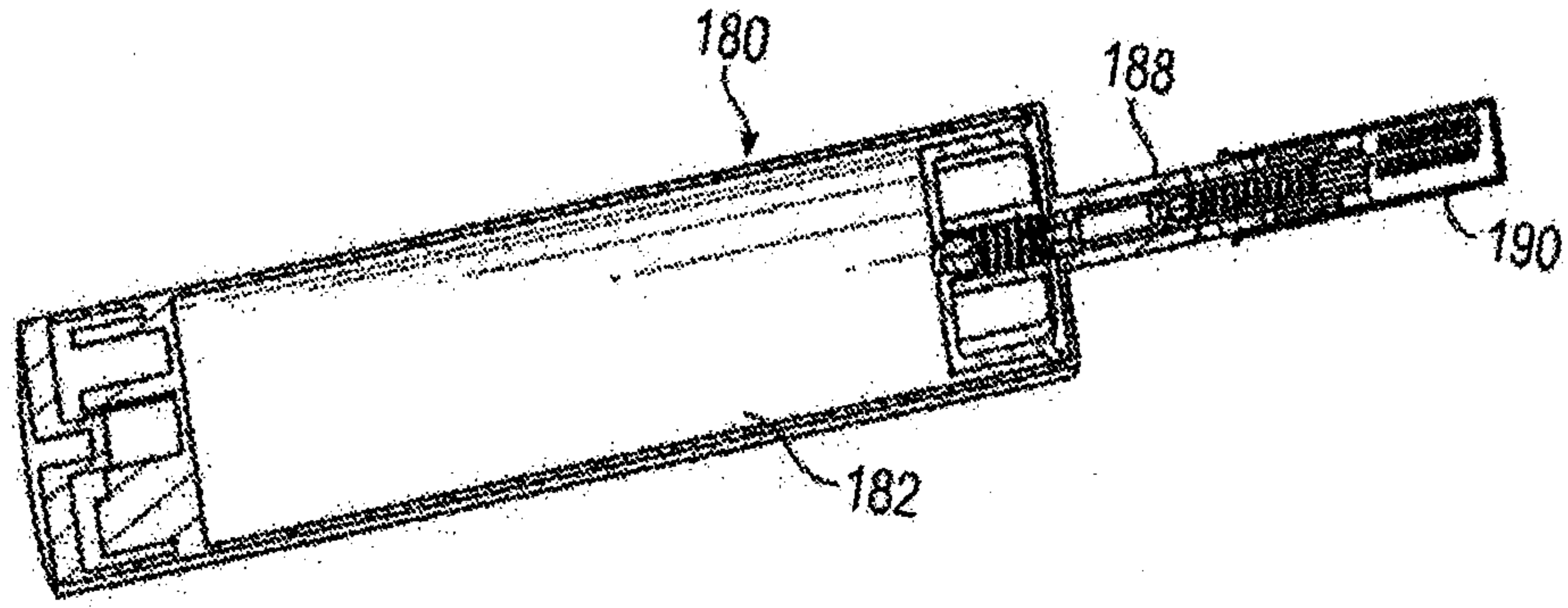


FIG. 13

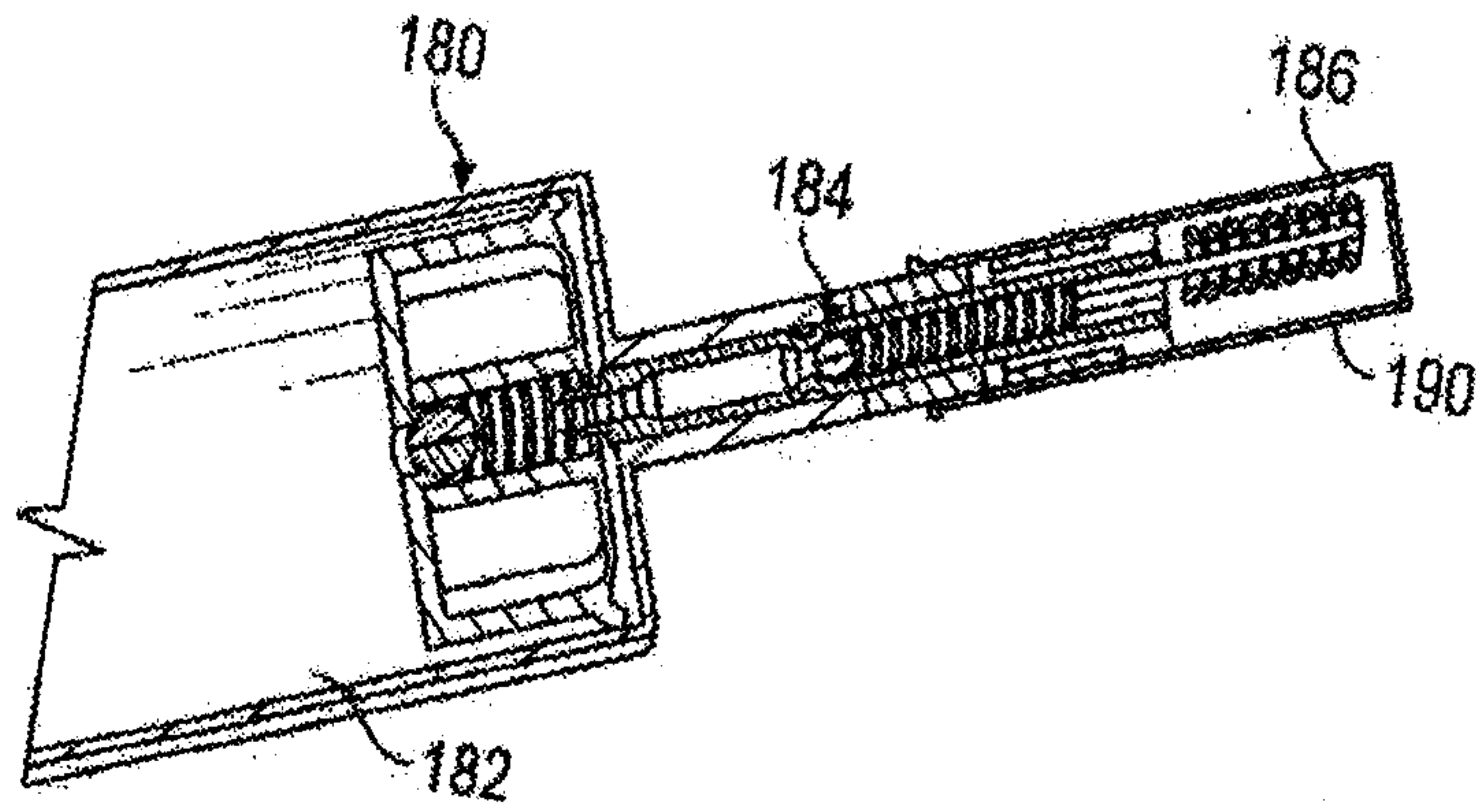


FIG. 14

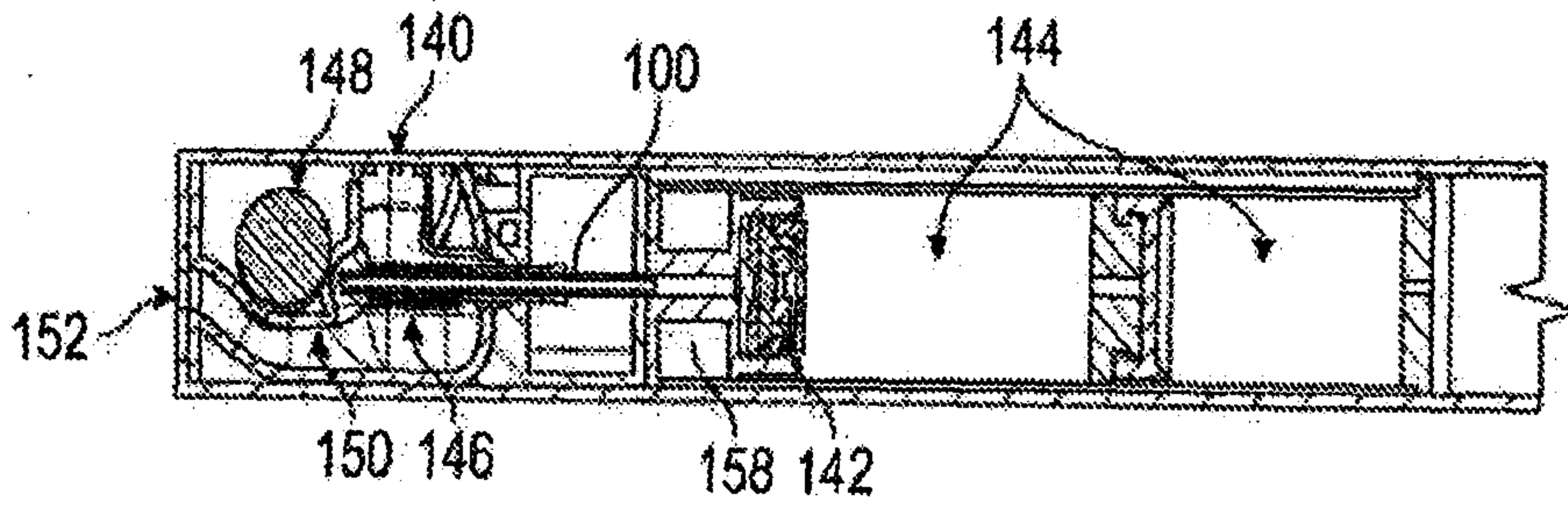


FIG. 15

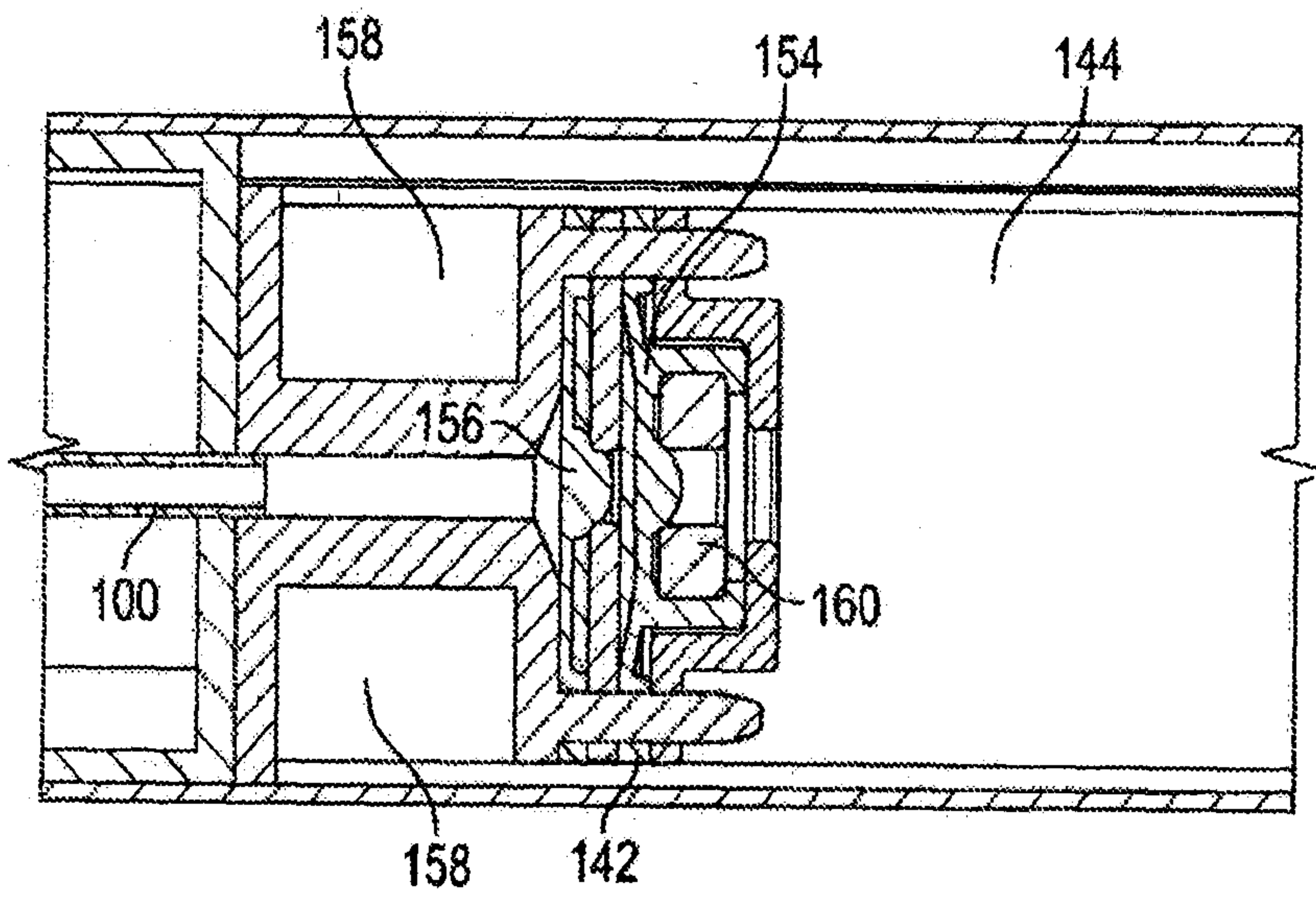


FIG. 16

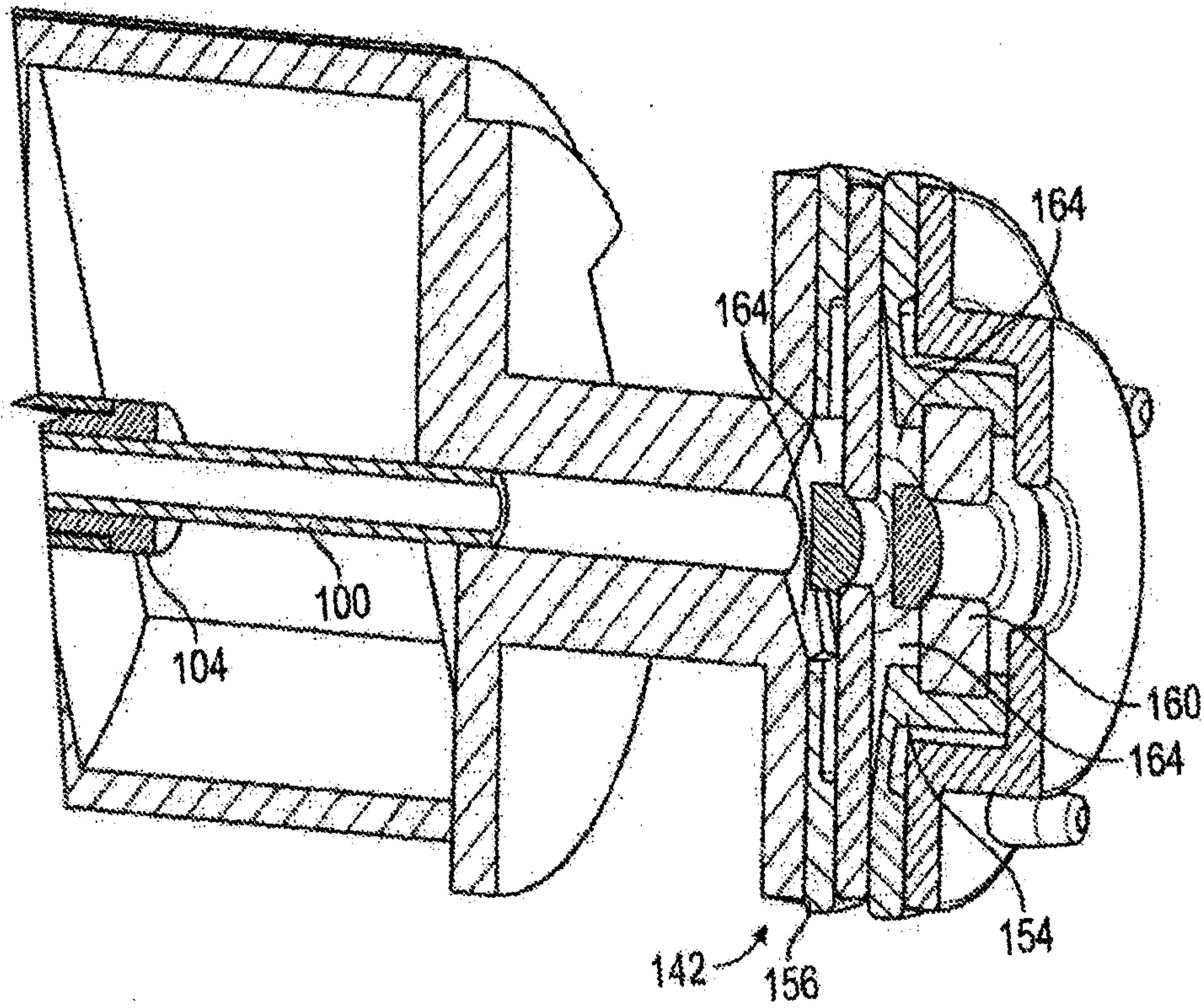


FIG. 17

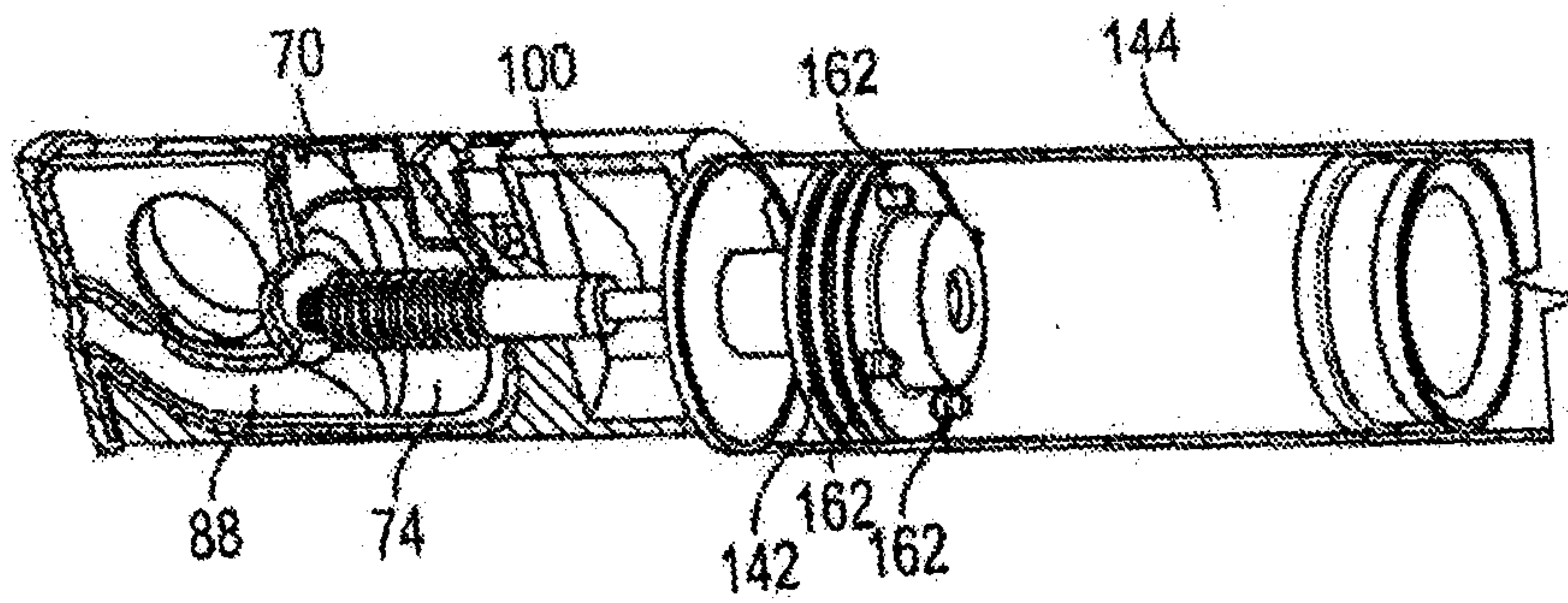


FIG. 18

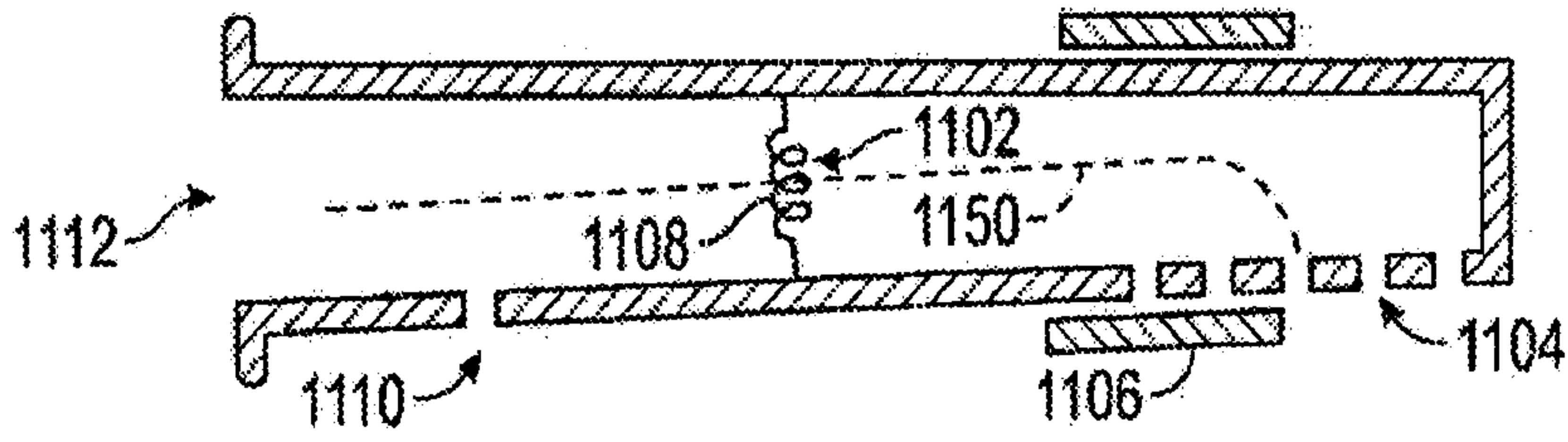


FIG. 19

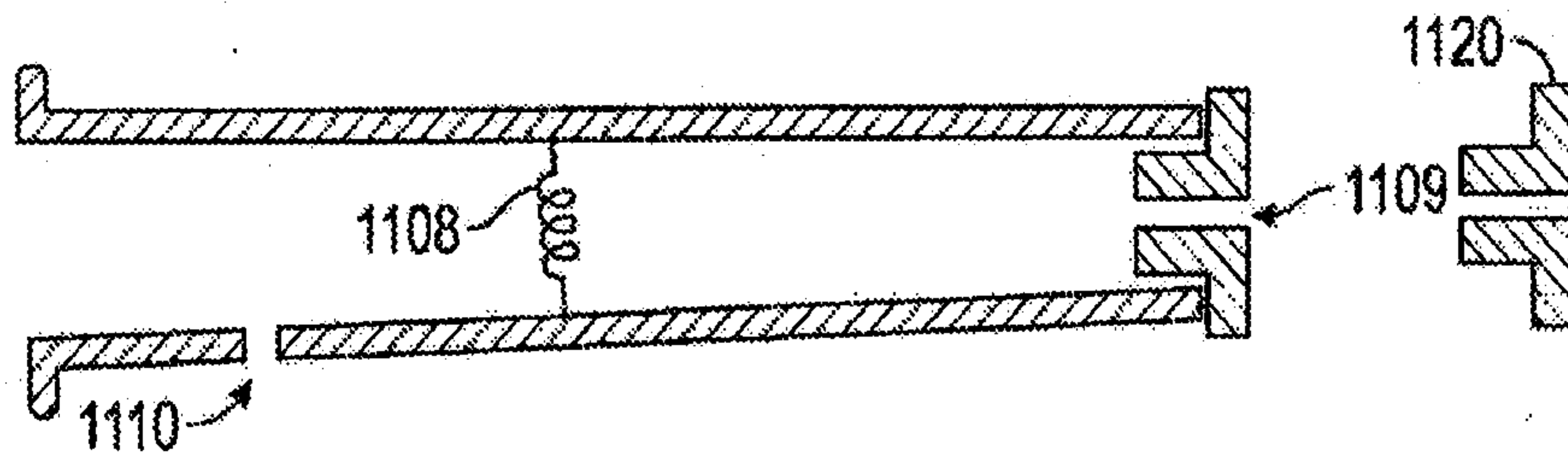


FIG. 20

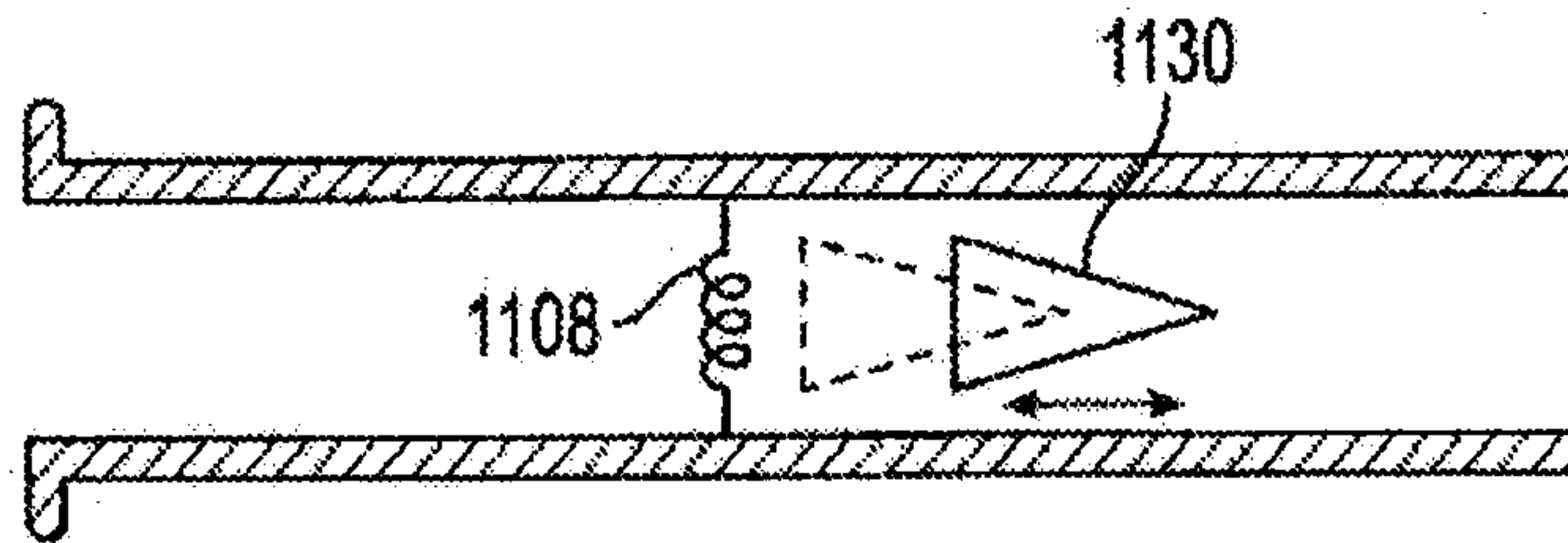


FIG. 21

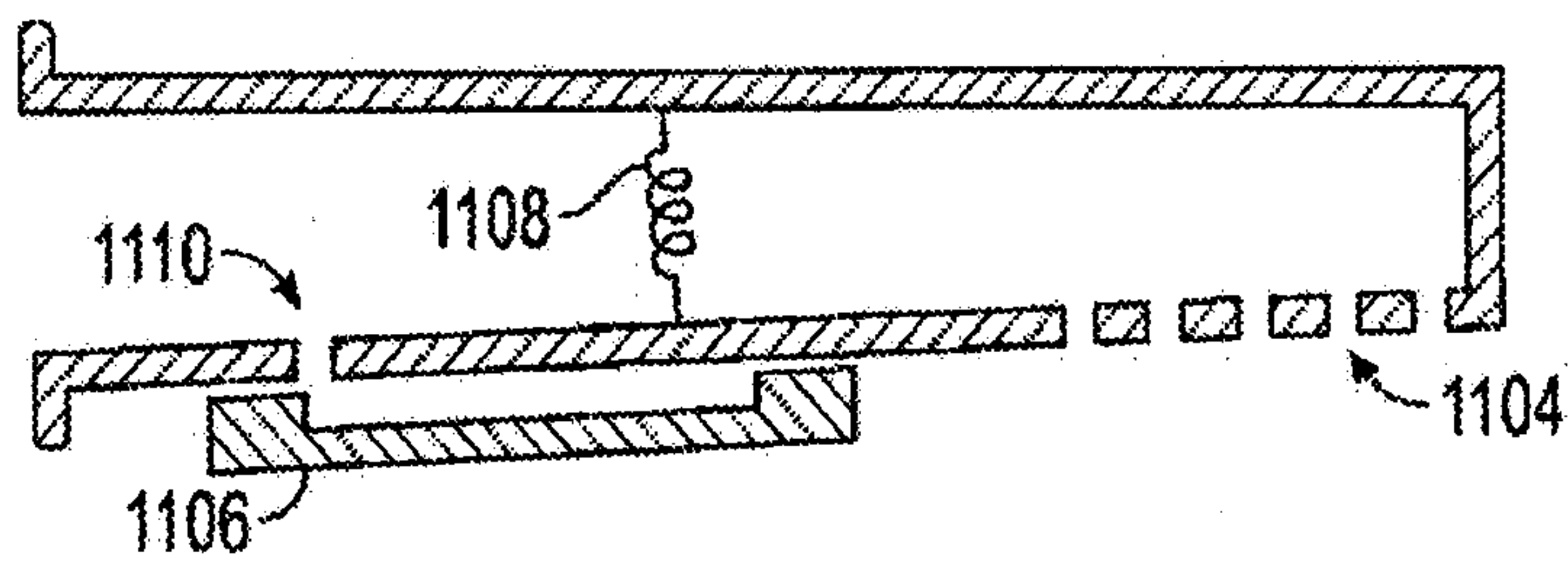


FIG. 22

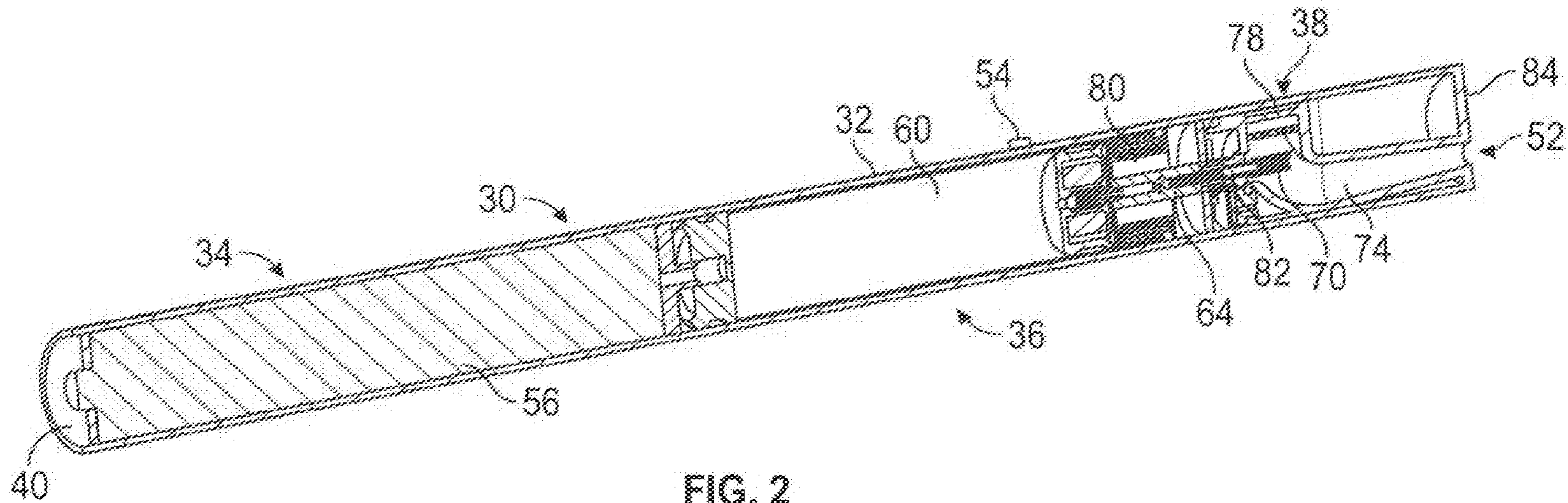


FIG. 2