



- (51) International Patent Classification:
H01R 13/11 (2006.01) *H01R 12/71* (2011.01)
- (21) International Application Number:
PCT/US2012/047119
- (22) International Filing Date:
18 July 2012 (18.07.2012)
- (25) Filing Language: English
- (26) Publication Language: English
- (30) Priority Data:
61/509,367 19 July 2011 (19.07.2011) US
- (71) Applicant (for all designated States except US): **MOLEX INCORPORATED** [US/US]; 2222 Wellington Court, Lisle, Illinois 60532 (US).
- (72) Inventors; and
- (75) Inventors/Applicants (for US only): **KARADIMAS, Margaret** [US/US]; c/o Molex Incorporated, 2222 Wellington Court, Lisle, Illinois 60532 (US). **PATEL, Arvind** [US/US]; c/o Molex Incorporated, 2222 Wellington Court, Lisle, Illinois 60532 (US).
- (74) Agent: **SHELDON, Stephen, L.**; Molex Incorporated, 2222 Wellington Court, Lisle, Illinois 60532 (US).

- (81) Designated States (unless otherwise indicated, for every kind of national protection available): AE, AG, AL, AM, AO, AT, AU, AZ, BA, BB, BG, BH, BR, BW, BY, BZ, CA, CH, CL, CN, CO, CR, CU, CZ, DE, DK, DM, DO, DZ, EC, EE, EG, ES, FI, GB, GD, GE, GH, GM, GT, HN, HR, HU, ID, IL, IN, IS, JP, KE, KG, KM, KN, KP, KR, KZ, LA, LC, LK, LR, LS, LT, LU, LY, MA, MD, ME, MG, MK, MN, MW, MX, MY, MZ, NA, NG, NI, NO, NZ, OM, PE, PG, PH, PL, PT, QA, RO, RS, RU, RW, SC, SD, SE, SG, SK, SL, SM, ST, SV, SY, TH, TJ, TM, TN, TR, TT, TZ, UA, UG, US, UZ, VC, VN, ZA, ZM, ZW.
- (84) Designated States (unless otherwise indicated, for every kind of regional protection available): ARIPO (BW, GH, GM, KE, LR, LS, MW, MZ, NA, RW, SD, SL, SZ, TZ, UG, ZM, ZW), Eurasian (AM, AZ, BY, KG, KZ, RU, TJ, TM), European (AL, AT, BE, BG, CH, CY, CZ, DE, DK, EE, ES, FI, FR, GB, GR, HR, HU, IE, IS, IT, LT, LU, LV, MC, MK, MT, NL, NO, PL, PT, RO, RS, SE, SI, SK, SM, TR), OAPI (BF, BJ, CF, CG, CI, CM, GA, GN, GQ, GW, ML, MR, NE, SN, TD, TG).

Published:

— with international search report (Art. 21(3))

- (88) Date of publication of the international search report:
18 April 2013

(54) Title: TERMINAL AND ELECTRICAL CONNECTOR WITH SAME

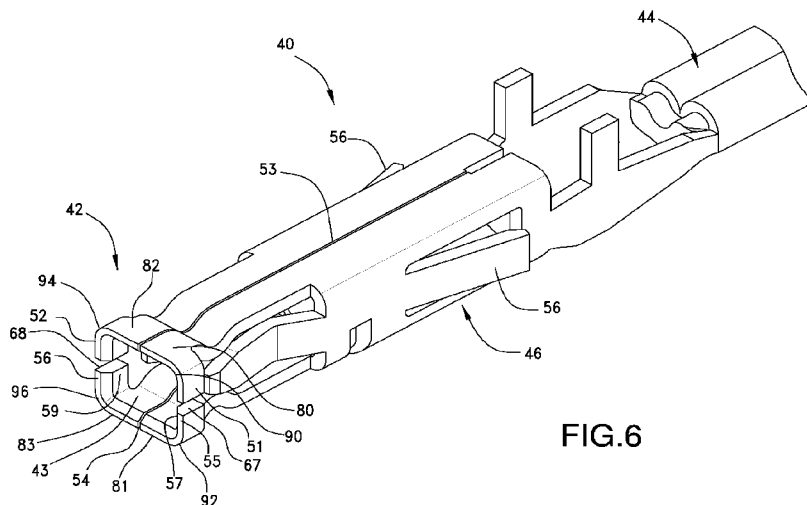


FIG.6

(57) Abstract: A connector is provided that includes a female terminal with sacrificial portion. The terminal is configured to minimize arcing between a mating male terminal and an intended contact portion of the female terminal. The female terminal is configured such that arcs between the male terminal and the female terminal occur such that the sacrificial portion of the female terminal experiences any arcing while the intended contact portion remains suitable for reliably engaging the male terminal.

WO 2013/012887 A3

A. CLASSIFICATION OF SUBJECT MATTER**H01R 13/11(2006.01)i, H01R 12/71(2011.01)i**

According to International Patent Classification (IPC) or to both national classification and IPC

B. FIELDS SEARCHED

Minimum documentation searched (classification system followed by classification symbols)

H01R 13/11; H01R 13/04

Documentation searched other than minimum documentation to the extent that such documents are included in the fields searched

Korean utility models and applications for utility models

Japanese utility models and applications for utility models

Electronic data base consulted during the international search (name of data base and, where practicable, search terms used)

eKOMPASS(KIPO internal) & Keywords: terminal, connect, male, arc

C. DOCUMENTS CONSIDERED TO BE RELEVANT

Category*	Citation of document, with indication, where appropriate, of the relevant passages	Relevant to claim No.
X	WO 2005-011065 A1 (MOLEX INCORPORATED et al.) 03 February 2005 See abstract, pages 10-11, claims 15-31 and figures 1, 11-13.	1-9
A	JP 2010-123264 A (YAZAKI CORP.) 03 June 2010 See abstract and figure 5.	1-9
A	EP 0178102 A2 (MOLEX INCORPORATED) 16 April 1986 See abstract, pages 1-20 and figures 1-15.	1-9

 Further documents are listed in the continuation of Box C. See patent family annex.

* Special categories of cited documents:

"A" document defining the general state of the art which is not considered to be of particular relevance

"E" earlier application or patent but published on or after the international filing date

"L" document which may throw doubts on priority claim(s) or which is cited to establish the publication date of citation or other special reason (as specified)

"O" document referring to an oral disclosure, use, exhibition or other means

"P" document published prior to the international filing date but later than the priority date claimed

"T" later document published after the international filing date or priority date and not in conflict with the application but cited to understand the principle or theory underlying the invention

"X" document of particular relevance; the claimed invention cannot be considered novel or cannot be considered to involve an inventive step when the document is taken alone

"Y" document of particular relevance; the claimed invention cannot be considered to involve an inventive step when the document is combined with one or more other such documents, such combination being obvious to a person skilled in the art

"&" document member of the same patent family

Date of the actual completion of the international search

28 JANUARY 2013 (28.01.2013)

Date of mailing of the international search report

29 JANUARY 2013 (29.01.2013)

Name and mailing address of the ISA/KR

Korean Intellectual Property Office
189 Cheongsu-ro, Seo-gu, Daejeon Metropolitan
City, 302-701, Republic of Korea

Facsimile No. 82-42-472-7140

Authorized officer

Min Byung Jo

Telephone No. 82-42-481-8687



INTERNATIONAL SEARCH REPORT

Information on patent family members

International application No.

PCT/US2012/047119

Patent document cited in search report	Publication date	Patent family member(s)	Publication date
WO 2005-011065 A1	03.02.2005	CN 100574015 C	23.12.2009
		CN 1836353 A0	20.09.2006
		JP 04-652329 B2	24.12.2010
		JP 2007-524194 A	23.08.2007
		JP 2007-524194 T	23.08.2007
		US 6790101 B1	14.09.2004
JP 2010-123264 A	03.06.2010	None	
EP 0178102 A2	16.04.1986	CA 1237498 A1	31.05.1988
		DE 3582775 D1	13.06.1991
		EP 0178102 A3	28.10.1987
		EP 0178102 B1	08.05.1991
		JP 61-091884 A	09.05.1986
		SG 33192 G	22.05.1992
		US 04681393 A	21.07.1987