



US00D994128S

(12) **United States Design Patent**
Karvandi

(10) **Patent No.:** **US D994,128 S**

(45) **Date of Patent:** **** Aug. 1, 2023**

- (54) **TOE SEPARATOR DEVICE**
- (71) Applicant: **Kusha Karvandi**, Scottsdale, AZ (US)
- (72) Inventor: **Kusha Karvandi**, Scottsdale, AZ (US)
- (**) Term: **15 Years**
- (21) Appl. No.: **29/870,964**
- (22) Filed: **Feb. 9, 2023**
- (51) **LOC (14) Cl.** **24-01**
- (52) **U.S. Cl.**
USPC **D24/192**
- (58) **Field of Classification Search**
USPC D24/188, 190, 192, 200, 206, 214, 215;
D28/56, 57
CPC A61F 5/10; A61F 13/0002; A61F 13/0203;
A61F 13/066
See application file for complete search history.

D439,704 S	3/2001	Ikeda	
6,238,357 B1	5/2001	Kawaguchi et al.	
D448,119 S *	9/2001	Neues	D28/59
D546,954 S *	7/2007	Takasaka	D29/113
D556,381 S *	11/2007	Kennedy	D28/57
D595,897 S	7/2009	Moldauer et al.	
D600,818 S	9/2009	Yang	
D612,946 S	3/2010	Ferri	
D632,013 S	2/2011	Irwin	
D661,429 S *	6/2012	Rust Huthmaker	D24/192
D679,821 S *	4/2013	Huthmaker	D24/192
D683,036 S *	5/2013	Rust Huthmaker	D24/192
D696,819 S *	12/2013	Huthmaker	D24/192
D707,362 S	6/2014	Cohen et al.	

(Continued)

FOREIGN PATENT DOCUMENTS

CN 307372813 * 5/2022

Primary Examiner — Jonathan J Han

Assistant Examiner — Amanda J Berlinski

(74) *Attorney, Agent, or Firm* — Dunlap Bennett & Ludwig, PLLC

(56) **References Cited**

U.S. PATENT DOCUMENTS

1,163,490 A *	12/1915	Weil	A61F 5/019
			132/73
2,223,204 A *	11/1940	Carmichael	A45D 29/22
			132/73
2,471,997 A	5/1949	Baltor	
D154,324 S *	6/1949	Reid	D28/56
2,506,308 A	5/1950	Maynier	
2,517,232 A	8/1950	Patulski	
2,595,640 A	5/1952	Christopoulos	
2,949,112 A	8/1960	Murray	
3,416,542 A *	12/1968	Shook	A45D 29/22
			132/73
3,429,309 A	2/1969	Kurth et al.	
5,076,263 A	12/1991	Funatogawa	
D344,367 S *	2/1994	Santore	D28/61
D385,358 S *	10/1997	Carlson	D24/192
D393,931 S	4/1998	Rue	
D415,858 S	10/1999	Funatogawa	
D428,673 S	7/2000	Ikeda	

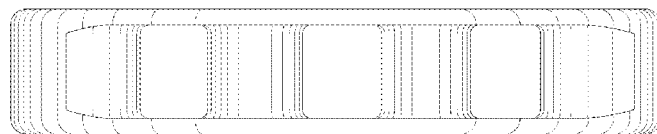
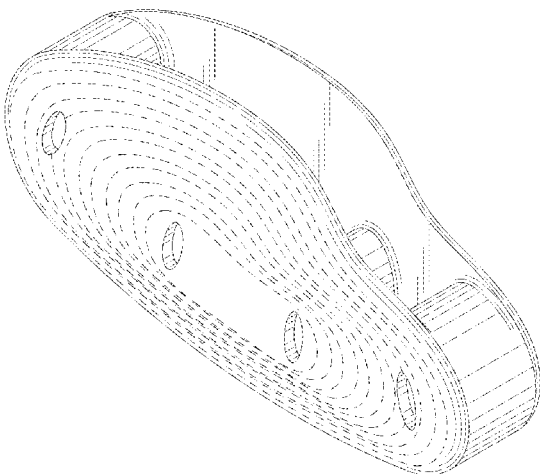
(57) **CLAIM**

The ornamental design for a toe separator device, as shown and described.

DESCRIPTION

FIG. 1 is a front perspective view of a toe separator device, showing my new design;
 FIG. 2 is a top plan view thereof;
 FIG. 3 is a front elevation view thereof;
 FIG. 4 is a rear elevation view thereof;
 FIG. 5 is a right-side elevation view thereof;
 FIG. 6 is a left-side elevation view thereof; and,
 FIG. 7 is a bottom plan view thereof.
 The broken lines shown in the drawings depict portions of the toe separator device that form no part of the claimed design.

1 Claim, 3 Drawing Sheets



(56)

References Cited

U.S. PATENT DOCUMENTS

D720,861 S * 1/2015 Rust Huthmaker D24/192
D734,547 S * 7/2015 Nadjarian D28/57
D763,454 S * 8/2016 Rust Huthmaker D24/192
D767,771 S 9/2016 Moon
D774,744 S * 12/2016 Williams D2/980
9,681,976 B2 6/2017 Nakamura
D835,793 S 12/2018 Zhuang
D853,570 S * 7/2019 Zhuang D24/192
10,653,582 B2 5/2020 Jang
D920,524 S * 5/2021 Kersen D24/192
D927,001 S * 8/2021 Kersen D24/192
D927,002 S * 8/2021 Kersen D24/192
D927,003 S * 8/2021 Kersen D24/192
D928,332 S * 8/2021 Kersen D24/192
D931,475 S * 9/2021 Kersen D24/192
D938,599 S * 12/2021 Kersen D24/192
D940,339 S * 1/2022 Jung D24/192
D962,453 S 8/2022 He
2005/0085756 A1 4/2005 Ferri
2005/0251081 A1 11/2005 McClanahan et al.
2011/0319802 A1 12/2011 Nardini
2021/0251791 A1* 8/2021 Jung A61F 5/019

* cited by examiner

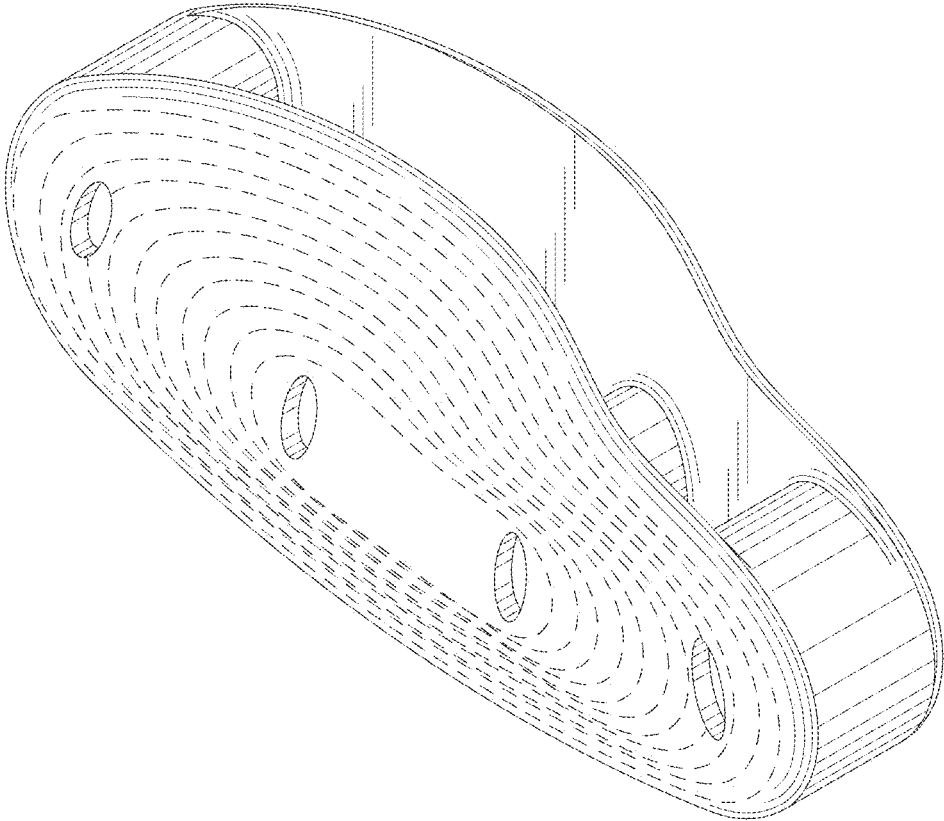


FIG.1

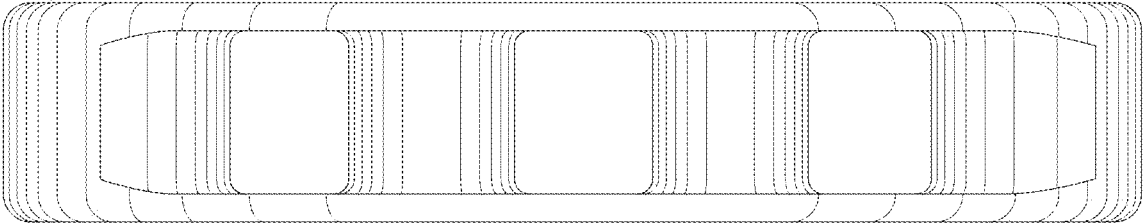


FIG.2

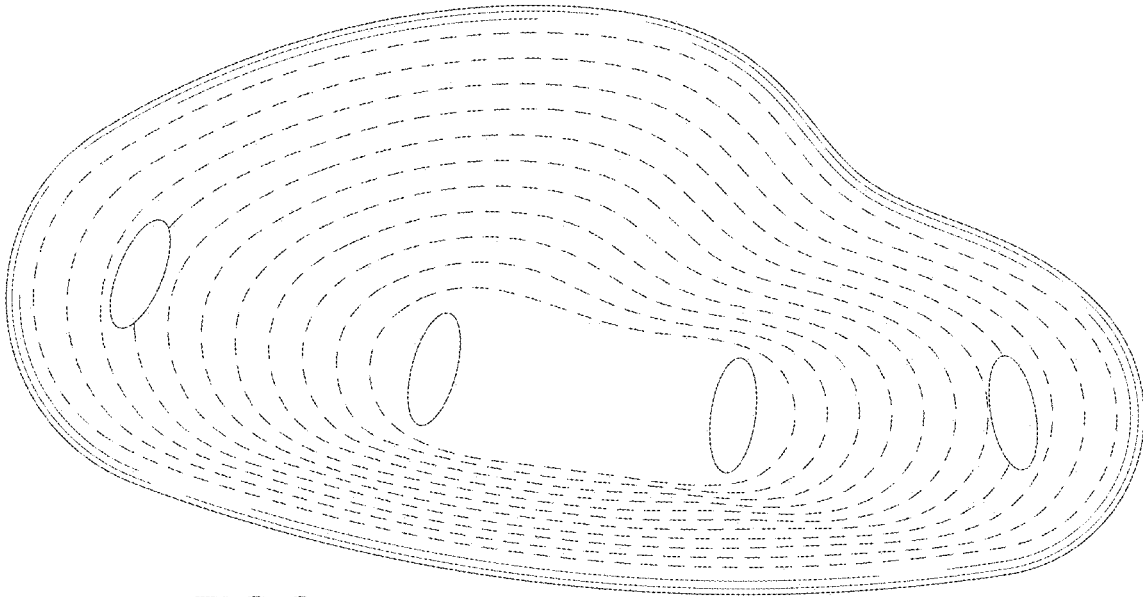


FIG.3

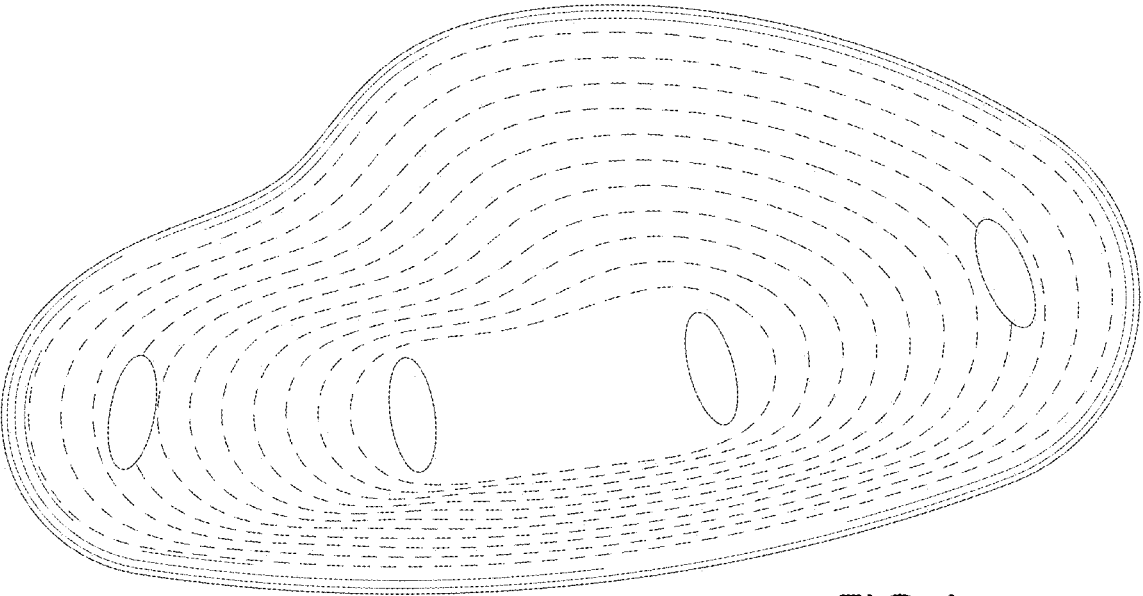


FIG.4

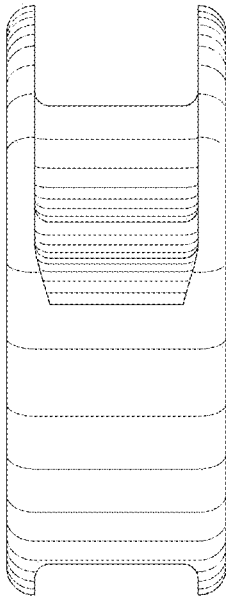


FIG. 5

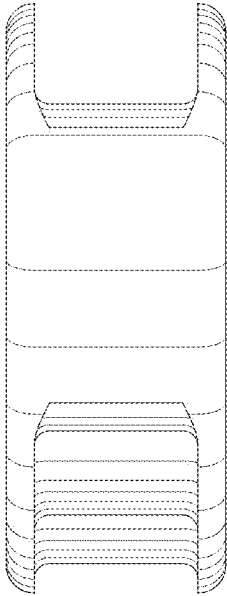


FIG. 6

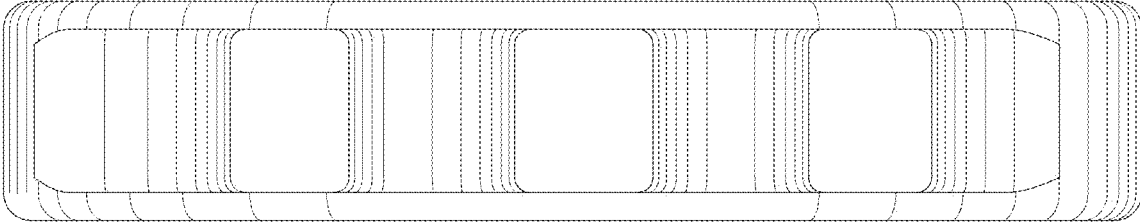


FIG. 7