

(19) World Intellectual Property Organization
International Bureau



(43) International Publication Date
2 June 2005 (02.06.2005)

PCT

(10) International Publication Number
WO 2005/048812 A3

- (51) International Patent Classification⁷: **A61B 17/00**
- (21) International Application Number:
PCT/US2004/036791
- (22) International Filing Date:
5 November 2004 (05.11.2004)
- (25) Filing Language: English
- (26) Publication Language: English
- (30) Priority Data:
10/714,168 14 November 2003 (14.11.2003) US
- (71) Applicant and
- (72) Inventor (for US only): **GUANCHE, Carlos, A.** [US/US];
24948 Lorenzo Court, Calabasas, CA 91302 (US).
- (74) Agent: **GINSBERG, Lawrence, N.**; 21 San Antonio,
Newport Beach, CA 92660-9112 (US).
- (81) Designated States (unless otherwise indicated, for every
kind of national protection available): AE, AG, AL, AM,
AT, AU, AZ, BA, BB, BG, BR, BW, BY, BZ, CA, CH, CN,
CO, CR, CU, CZ, DE, DK, DM, DZ, EC, EE, EG, ES, FI,
GB, GD, GE, GH, GM, HR, HU, ID, IL, IN, IS, JP, KE,

KG, KP, KR, KZ, LC, LK, LR, LS, LT, LU, LV, MA, MD,
MG, MK, MN, MW, MX, MZ, NA, NI, NO, NZ, OM, PG,
PH, PL, PT, RO, RU, SC, SD, SE, SG, SK, SL, SY, TJ, TM,
TN, TR, TT, TZ, UA, UG, US, UZ, VC, VN, YU, ZA, ZM,
ZW.

- (84) Designated States (unless otherwise indicated, for every
kind of regional protection available): ARIPO (BW, GH,
GM, KE, LS, MW, MZ, NA, SD, SL, SZ, TZ, UG, ZM,
ZW), Eurasian (AM, AZ, BY, KG, KZ, MD, RU, TJ, TM),
European (AT, BE, BG, CH, CY, CZ, DE, DK, EE, ES, FI,
FR, GB, GR, HU, IE, IS, IT, LU, MC, NL, PL, PT, RO, SE,
SI, SK, TR), OAPI (BF, BJ, CF, CG, CI, CM, GA, GN, GQ,
GW, ML, MR, NE, SN, TD, TG).

Declaration under Rule 4.17:

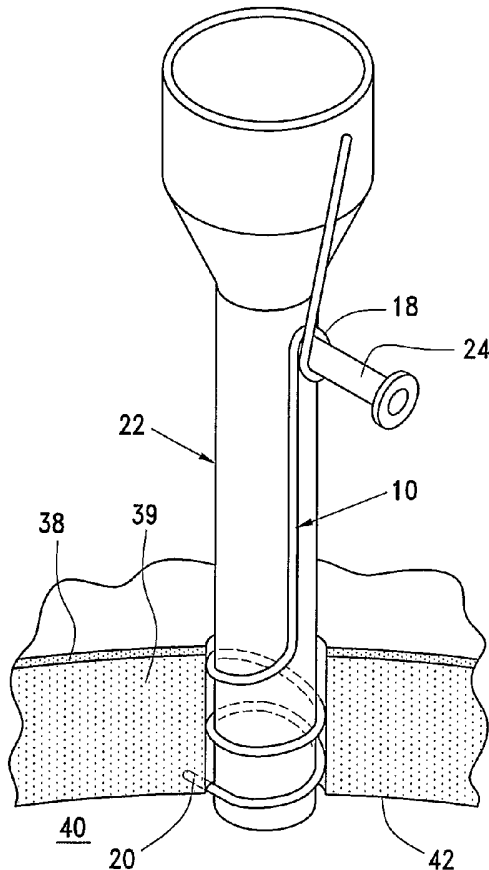
— of inventorship (Rule 4.17(iv)) for US only

Published:

- with international search report
- before the expiration of the time limit for amending the
claims and to be republished in the event of receipt of
amendments

[Continued on next page]

(54) Title: CANNULA DELIVERY AND SUPPORT SYSTEM



(57) Abstract: A cannula supporting coil including a thin resilient elongated member having a proximal portion; an intermediate portion; and, a distal portion. The proximal portion has a clip portion for capturing a side port of an endoscopic or arthroscopic cannula. The distal portion has a plurality of revolutions to accommodate the main body of the cannula. A terminal portion of a final revolution of the distal portion has less curvature than previous portions of the distal portion for anchoring to an anatomical cavity lining. The cannula supporting coil is used as a component of a cannula delivery and support system that also includes an elongated sheath for containing the coil during delivery of the coil to the anatomical cavity; and, an elongated trocar contained within the sheath. Once the system is in the cavity the trocar is reinserted in an inverted position and utilized as a plunger for the coil.

WO 2005/048812 A3



(88) Date of publication of the international search report:

2 February 2006

For two-letter codes and other abbreviations, refer to the "Guidance Notes on Codes and Abbreviations" appearing at the beginning of each regular issue of the PCT Gazette.

INTERNATIONAL SEARCH REPORT

International application No.

PCT/US04/36791

A. CLASSIFICATION OF SUBJECT MATTER

IPC(7) : A61B 17/00
 US CL : 606/1

According to International Patent Classification (IPC) or to both national classification and IPC

B. FIELDS SEARCHED

Minimum documentation searched (classification system followed by classification symbols)
 U.S. : 606/1,108,DIG.26

Documentation searched other than minimum documentation to the extent that such documents are included in the fields searched

Electronic data base consulted during the international search (name of data base and, where practicable, search terms used)
 Please See Continuation Sheet

C. DOCUMENTS CONSIDERED TO BE RELEVANT

Category *	Citation of document, with indication, where appropriate, of the relevant passages	Relevant to claim No.
A	US 1,419,268 A (KEELER) 13 JUNE 1922 (13.06.1922)	1-40
X	US 2,621,917 A (LANDERS) 16 DECEMBER 1952 (16.12.1952)	1-3,8-10
---	see fig. 6	-----
Y		4-7
X	US 2,973,805 A (ROWAN) 07 MARCH 1961 (07.03.1961)	1-3,8-10
---	see fig. 1	-----
Y		4-7
X	US 4,624,672 A (LENKAUSKAS) 25 NOVEMBER 1986 (25.11.1986)	1-3,8-10
---	SEE FIG. 3-6; COL. 3 LINE 45-46; COL. 4 LINES 57-58	-----
Y		4-7
Y	US 4,668,144 A (GIANNUZZI) 26 MAY 1987 (26.05.1987)	5
	SEE COL. LINES 26,27; CL. 4 LINES 36-56	
Y	US 5,279,564 A (TAYLOR) 18 JANUARY 1994 (18.01.1994)	4

Further documents are listed in the continuation of Box C.

See patent family annex.

* Special categories of cited documents:	"T"
"A" document defining the general state of the art which is not considered to be of particular relevance	later document published after the international filing date or priority date and not in conflict with the application but cited to understand the principle or theory underlying the invention
"E" earlier application or patent published on or after the international filing date	"X" document of particular relevance; the claimed invention cannot be considered novel or cannot be considered to involve an inventive step when the document is taken alone
"L" document which may throw doubts on priority claim(s) or which is cited to establish the publication date of another citation or other special reason (as specified)	"Y" document of particular relevance; the claimed invention cannot be considered to involve an inventive step when the document is combined with one or more other such documents, such combination being obvious to a person skilled in the art
"O" document referring to an oral disclosure, use, exhibition or other means	"&" document member of the same patent family
"P" document published prior to the international filing date but later than the priority date claimed	

Date of the actual completion of the international search

14 September 2005 (14.09.2005)

Date of mailing of the international search report

25 NOV 2005

Name and mailing address of the ISA/US

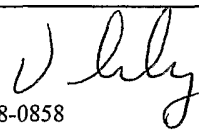
Mail Stop PCT, Attn: ISA/US
 Commissioner for Patents
 P.O. Box 1450
 Alexandria, Virginia 22313-1450

Facsimile No. (703) 305-3230

Authorized officer

For
 Glenn K. Dawson

Telephone No. 703-308-0858



INTERNATIONAL SEARCH REPORT

International application No.
PCT/US04/36791

C. (Continuation) DOCUMENTS CONSIDERED TO BE RELEVANT

Category *	Citation of document, with indication, where appropriate, of the relevant passages	Relevant to claim No.
X --- Y	US 5,810,836 A (HUSSEIN, et al.) 22 SEPTEMBER 1998 (22.09.1998) SEE FIG. 1,4,5,7,8B	1-3,8-11 ----- 4-7
A	US 5,820,631 A (NOBLES) 13 OCTOBER 1998 (13.10.1998)	1-40
A	US 3,338,538 A (ROCHE) 29 AUGUST 1967 (29.08.1967)	1-40

INTERNATIONAL SEARCH REPORT

International application No.
PCT/US04/36791

Continuation of B. FIELDS SEARCHED Item 3:

EAST-SPRING,NITINOL, MEMORY,STRAIGHT, PLASTIC, WIRE, CANNULA, TUBE, TUBULAR, TISSUE, INCISION, SUPPORT,