



(51) International Patent Classification:  
H04L 12/56 (2006.01)

(21) International Application Number:  
PCT/IB2009/052729

(22) International Filing Date:  
2 March 2009 (02.03.2009)

(25) Filing Language: English

(26) Publication Language: English

(30) Priority Data:  
12/041,157 3 March 2008 (03.03.2008) US

(71) Applicant (for all designated States except US): **ALCATEL LUCENT** [FR/FR]; 54, rue la Boétie, F-75008 Paris (FR).

(72) Inventors; and

(75) Inventors/Applicants (for US only): **GROSSNER, Clifford** [CA/CA]; 11 Stonehedge Park, Ottawa, Ontario K2H 8Z3 (CA). **SERGHI, Laura** [CA/CA]; 20 Archer Square, Ottawa, Ontario K1V 9Y8 (CA). **STRUB, Lyle** [CA/CA]; 1217 Erindale Dr., Ottawa, ONTARIO K2C 2G2 (CA).

(74) Agents: **HERVOUET, Sylvie** et al.; Feray Lenne Conseil, 39-41 Avenue Aristide Briand, F-92163 Antony Cedex (FR).

(81) Designated States (unless otherwise indicated, for every kind of national protection available): AE, AG, AL, AM, AO, AT, AU, AZ, BA, BB, BG, BH, BR, BW, BY, BZ, CA, CH, CN, CO, CR, CU, CZ, DE, DK, DM, DO, DZ, EC, EE, EG, ES, FI, GB, GD, GE, GH, GM, GT, HN, HR, HU, ID, IL, IN, IS, JP, KE, KG, KM, KN, KP, KR, KZ, LA, LC, LK, LR, LS, LT, LU, LY, MA, MD, ME, MG, MK, MN, MW, MX, MY, MZ, NA, NG, NI, NO, NZ, OM, PG, PH, PL, PT, RO, RS, RU, SC, SD, SE, SG, SK, SL, SM, ST, SV, SY, TJ, TM, TN, TR, TT, TZ, UA, UG, US, UZ, VC, VN, ZA, ZM, ZW.

(84) Designated States (unless otherwise indicated, for every kind of regional protection available): ARIPO (BW, GH, GM, KE, LS, MW, MZ, NA, SD, SL, SZ, TZ, UG, ZM, ZW), Eurasian (AM, AZ, BY, KG, KZ, MD, RU, TJ, TM), European (AT, BE, BG, CH, CY, CZ, DE, DK, EE, ES, FI, FR, GB, GR, HR, HU, IE, IS, IT, LT, LU, LV, MC, MK, MT, NL, NO, PL, PT, RO, SE, SI, SK, TR), OAPI (BF, BJ, CF, CG, CI, CM, GA, GN, GQ, GW, ML, MR, NE, SN, TD, TG).

Published:

- with international search report (Art. 21(3))
- before the expiration of the time limit for amending the claims and to be republished in the event of receipt of amendments (Rule 48.2(h))

[Continued on next page]

(54) Title: SYSTEM AND METHOD FOR APPLICATION LAYER RESOURCE TRAFFIC CONTROL

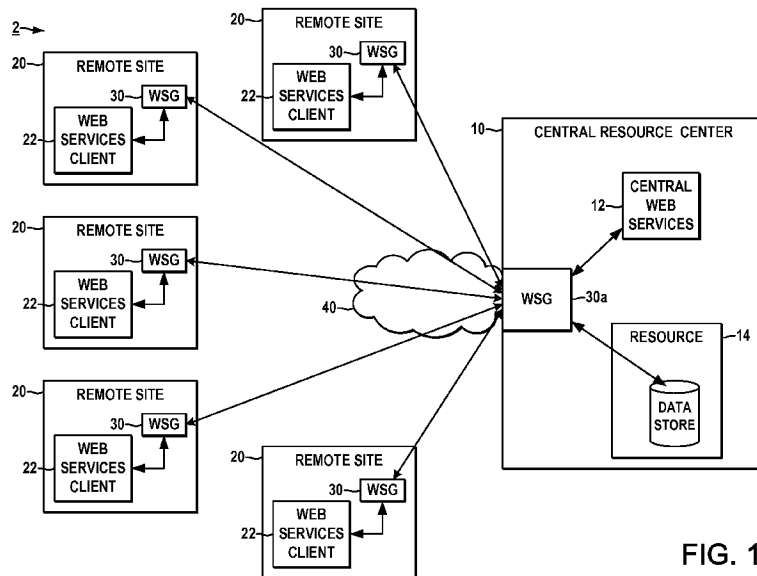


FIG. 1

(57) Abstract: Methods and systems are presented for controlling application layer message traffic at a central web services resource in which a web services gateway associated with the central resource sends a backoff message to a gateway associated with a remote web service client, which in turn slows the application layer message traffic to the central resource.

WO 2009/109951 A3

**(88)** Date of publication of the international search report:  
30 December 2009

# INTERNATIONAL SEARCH REPORT

International application No  
PCT/IB2009/052729

**A. CLASSIFICATION OF SUBJECT MATTER**  
INV. H04L12/56

According to International Patent Classification (IPC) or to both national classification and IPC

**B. FIELDS SEARCHED**

Minimum documentation searched (classification system followed by classification symbols)  
H04L

Documentation searched other than minimum documentation to the extent that such documents are included in the fields searched

Electronic data base consulted during the international search (name of data base and, where practical, search terms used)  
EPO-Internal, WPI Data, IBM-TDB, INSPEC, COMPENDEX

**C. DOCUMENTS CONSIDERED TO BE RELEVANT**

Category*	Citation of document, with indication, where appropriate, of the relevant passages	Relevant to claim No.
X	MICHELE LEROUX BUSTAMANTE: "Learning WCF" 24 May 2007 (2007-05-24), O'REILLY MEDIA, INC. , USA , XP008114555 ISBN: 978-0-596-10162-6 page 336 - page 405 -----	1-10
X	EP 1 667 017 A (MICROSOFT CORP [US]) 7 June 2006 (2006-06-07) paragraph [0032] - paragraph [0075]; figures 1-3 -----	1-10
X	IBM ET AL: "Reliable Message Delivery in a Web Services World: A Proposed Architecture and Roadmap" JOINT WHITE PAPER FROM IBM CORPORATION AND MICROSOFT CORPORATION, XX, XX, 13 March 2003 (2003-03-13), XP002374382 the whole document -----	1-10
-/--		

Further documents are listed in the continuation of Box C.       See patent family annex.

\* Special categories of cited documents :

<p>*A* document defining the general state of the art which is not considered to be of particular relevance</p> <p>*E* earlier document but published on or after the international filing date</p> <p>*L* document which may throw doubts on priority claim(s) or which is cited to establish the publication date of another citation or other special reason (as specified)</p> <p>*O* document referring to an oral disclosure, use, exhibition or other means</p> <p>*P* document published prior to the international filing date but later than the priority date claimed</p>	<p>*T* later document published after the international filing date or priority date and not in conflict with the application but cited to understand the principle or theory underlying the invention</p> <p>*X* document of particular relevance; the claimed invention cannot be considered novel or cannot be considered to involve an inventive step when the document is taken alone</p> <p>*Y* document of particular relevance; the claimed invention cannot be considered to involve an inventive step when the document is combined with one or more other such documents, such combination being obvious to a person skilled in the art.</p> <p>*&amp;* document member of the same patent family</p>
--------------------------------------------------------------------------------------------------------------------------------------------------------------------------------------------------------------------------------------------------------------------------------------------------------------------------------------------------------------------------------------------------------------------------------------------------------------------------------------------------------------------------------------------------------------------------------------	------------------------------------------------------------------------------------------------------------------------------------------------------------------------------------------------------------------------------------------------------------------------------------------------------------------------------------------------------------------------------------------------------------------------------------------------------------------------------------------------------------------------------------------------------------------------------------------------------------------------------------------------------------------------------------------------------------------

Date of the actual completion of the international search  <b>11 November 2009</b>	Date of mailing of the international search report  <b>17/11/2009</b>
------------------------------------------------------------------------------------------	-----------------------------------------------------------------------------

Name and mailing address of the ISA/ European Patent Office, P.B. 5818 Patentlaan 2 NL - 2280 HV Rijswijk Tel. (+31-70) 340-2040, Fax: (+31-70) 340-3016	Authorized officer  <b>Eraso Helguera, J</b>
----------------------------------------------------------------------------------------------------------------------------------------------------------------------	----------------------------------------------------

# INTERNATIONAL SEARCH REPORT

International application No  
PCT/IB2009/052729

C(Continuation). DOCUMENTS CONSIDERED TO BE RELEVANT		
Category*	Citation of document, with indication, where appropriate, of the relevant passages	Relevant to claim No.
A	US 2007/233580 A1 (PIKE MATTHEW [US] ET AL) 4 October 2007 (2007-10-04) paragraph [0038] -----	3,8
A	EP 1 462 941 A (MICROSOFT CORP [US]) 29 September 2004 (2004-09-29) paragraph [0050] - paragraph [0052] -----	1-10

# INTERNATIONAL SEARCH REPORT

Information on patent family members

International application No PCT/IB2009/052729
---------------------------------------------------

Patent document cited in search report	Publication date	Patent family member(s)	Publication date	
EP 1667017	A	07-06-2006	AT 428972 T	15-05-2009
			CN 1783852 A	07-06-2006
			JP 2006166439 A	22-06-2006
			KR 20060063652 A	12-06-2006
			US 2006133278 A1	22-06-2006
-----				
US 2007233580	A1	04-10-2007	NONE	
-----				
EP 1462941	A	29-09-2004	AU 2004200736 A1	14-10-2004
			BR PI0400762 A	11-01-2005
			CA 2462019 A1	27-09-2004
			CN 1534947 A	06-10-2004
			CO 5560095 A1	30-09-2005
			JP 2004295896 A	21-10-2004
			KR 20040085045 A	07-10-2004
			MX PA04002727 A	17-06-2005
			NZ 531383 A	23-12-2005
			PL 366535 A1	04-10-2004
			RU 2345408 C2	27-01-2009
			SG 115637 A1	28-10-2005
			US 2004205124 A1	14-10-2004
ZA 200401580 A	31-08-2004			
-----				