



US00D992903S

(12) **United States Design Patent**  
**Greenwood**

(10) **Patent No.:** **US D992,903 S**

(45) **Date of Patent:** **\*\* Jul. 25, 2023**

- (54) **CONTAINER**
- (71) Applicant: **YouCopia Products, Inc.**, Chicago, IL (US)
- (72) Inventor: **Mark Greenwood**, Arlington Heights, IL (US)
- (73) Assignee: **YouCopia Products, Inc.**, Chicago, IL (US)
- (\*\*) Term: **15 Years**
- (21) Appl. No.: **29/775,621**
- (22) Filed: **Mar. 24, 2021**
- (51) **LOC (14) Cl.** ..... **09-04**
- (52) **U.S. Cl.**  
USPC ..... **D3/304**
- (58) **Field of Classification Search**  
USPC ..... D3/304, 305, 307, 309-314, 319, 323;  
D9/414, 416, 431-432, 435, 444, 455,  
D9/460, 499, 517, 518, 522, 702-714,  
D9/719, 738-740  
CPC ..... A45C 7/0077; A45C 3/04; A45C 3/10;  
B65D 43/0218; B65D 33/00; B65D  
33/02; B65D 33/06; B65D 33/065; B65D  
33/14; B65D 33/1683; B65D 33/12;  
B65D 33/24; B65D 31/00; B65D 31/04;  
B65D 31/10; D06F 95/002  
See application file for complete search history.

D659,399 S *	5/2012	Kraemer	.....	D3/304
D659,400 S *	5/2012	Kraemer	.....	D3/304
D764,169 S *	8/2016	Bougay	.....	D3/304
D781,585 S *	3/2017	Levie	.....	D3/310
D815,835 S *	4/2018	Levie	.....	D3/310
D925,225 S *	7/2021	Hazelton	.....	D3/304
D929,129 S *	8/2021	Greenwood	.....	D3/307
D937,081 S *	11/2021	Yamane	.....	D9/425
D948,889 S *	4/2022	Lin	.....	D6/524
D951,641 S *	5/2022	Zhang	.....	D3/307
D967,631 S *	10/2022	Greenwood	.....	D3/307

\* cited by examiner

*Primary Examiner* — Mary Shannon Malley  
*Assistant Examiner* — Christopher John Suarez La Rosa  
(74) *Attorney, Agent, or Firm* — Lowe Graham Jones, PLLC

(57) **CLAIM**

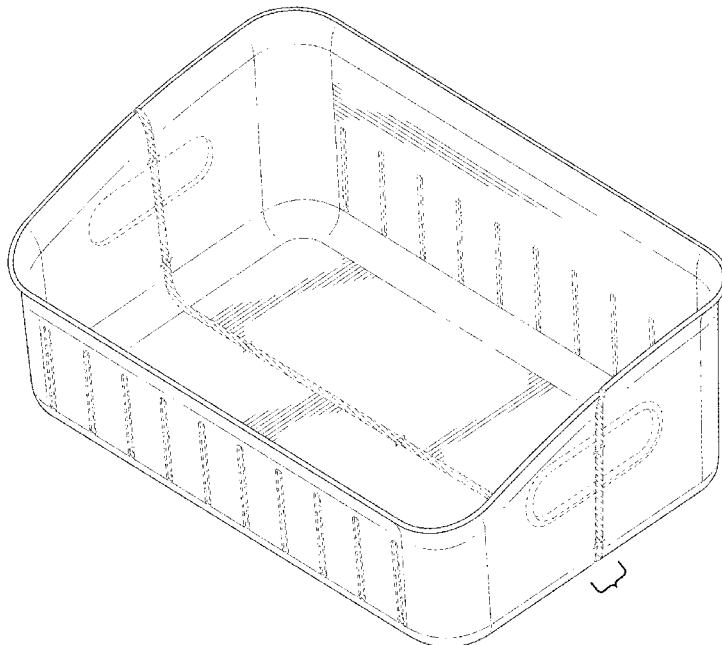
I claim the ornamental design for a container, as shown and described.

**DESCRIPTION**

FIG. 1 is a top perspective view of a container, showing my new design.  
FIG. 2 is a front elevational view of the container.  
FIG. 3 is a rear elevational view of the container.  
FIG. 4 is a left side elevational view of the container.  
FIG. 5 is a right side elevational view of the container.  
FIG. 6 is a top plan view of the container; and,  
FIG. 7 is a bottom plan view of the container.  
The container is shown with a symbolic break. The appearance of any portion of the article between the break lines forms no part of the claimed design. The remaining broken line depict portions of the container that form no part of the claimed design.

**1 Claim, 6 Drawing Sheets**

- (56) **References Cited**  
U.S. PATENT DOCUMENTS  
2,788,912 A \* 4/1957 Simonsen ..... B65D 25/06  
220/533  
D251,480 S \* 4/1979 Cherry ..... D3/314



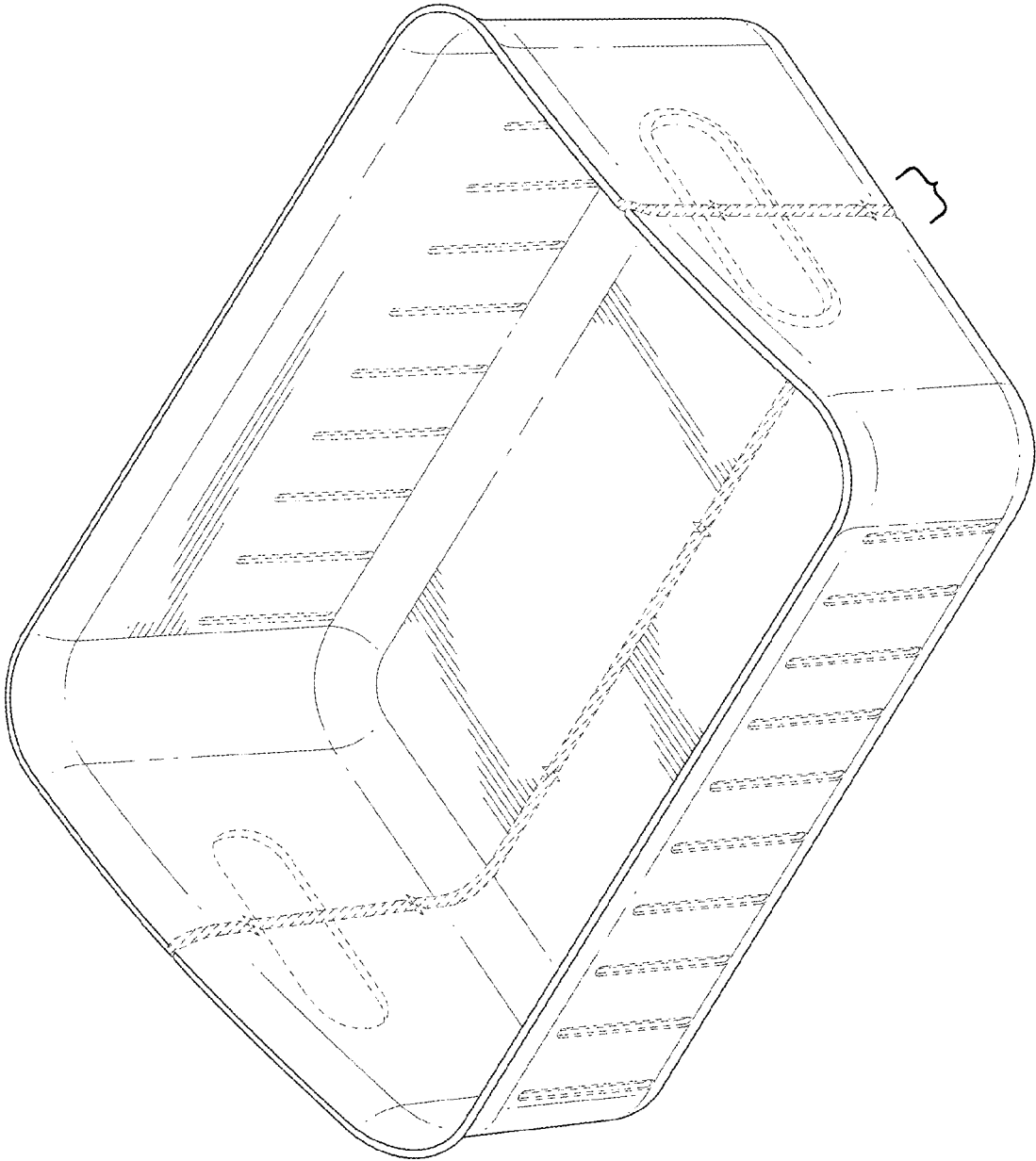


FIG. 1

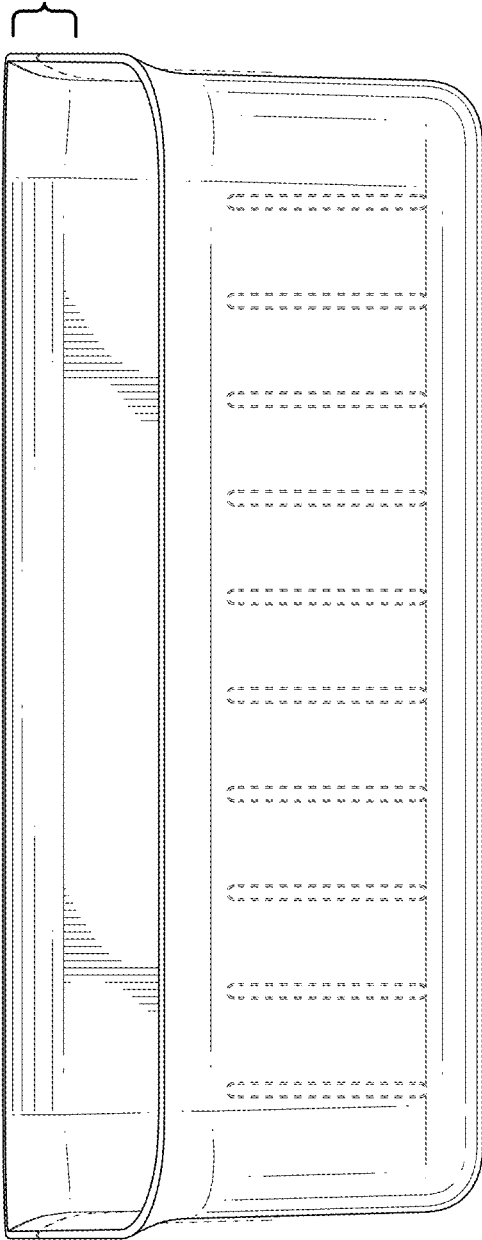


FIG.2

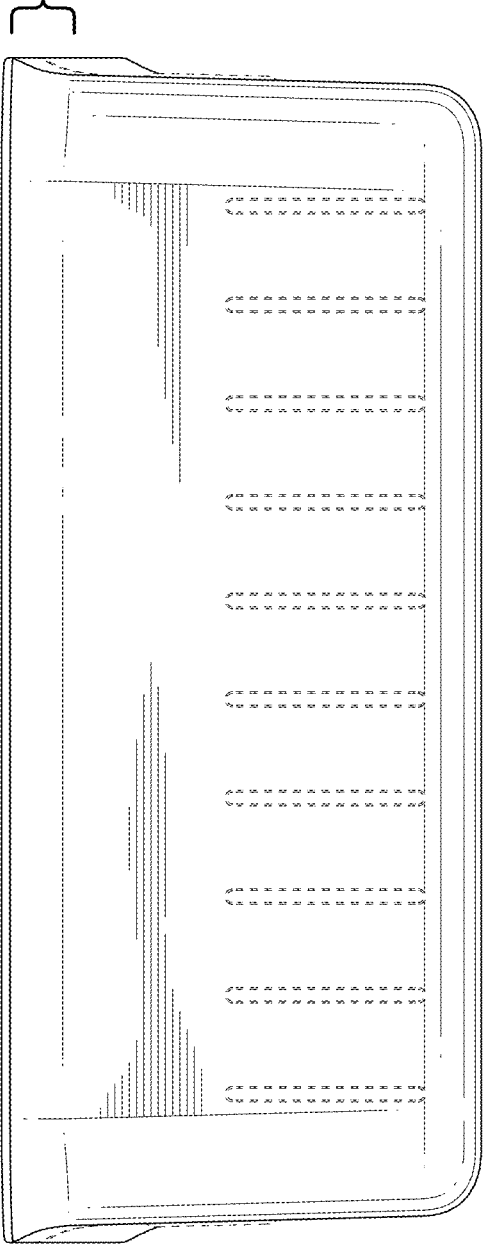


FIG. 3

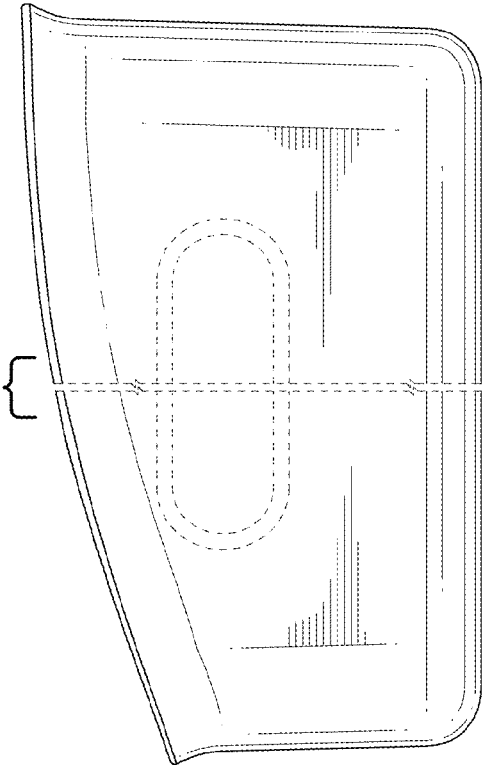


FIG. 5

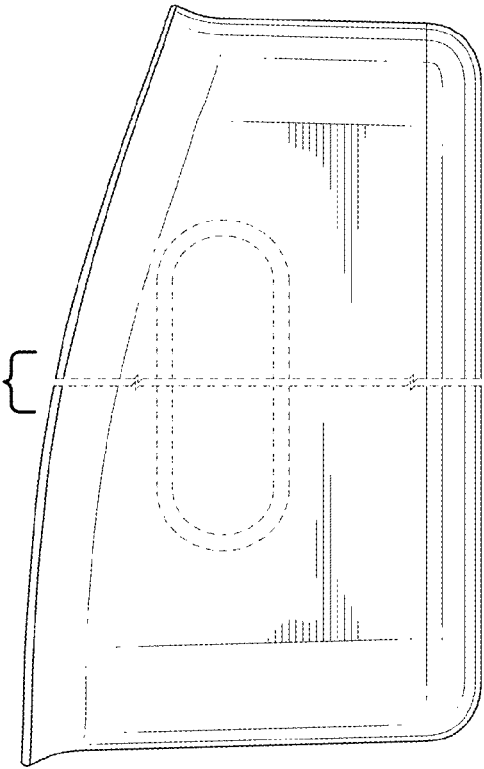


FIG. 4

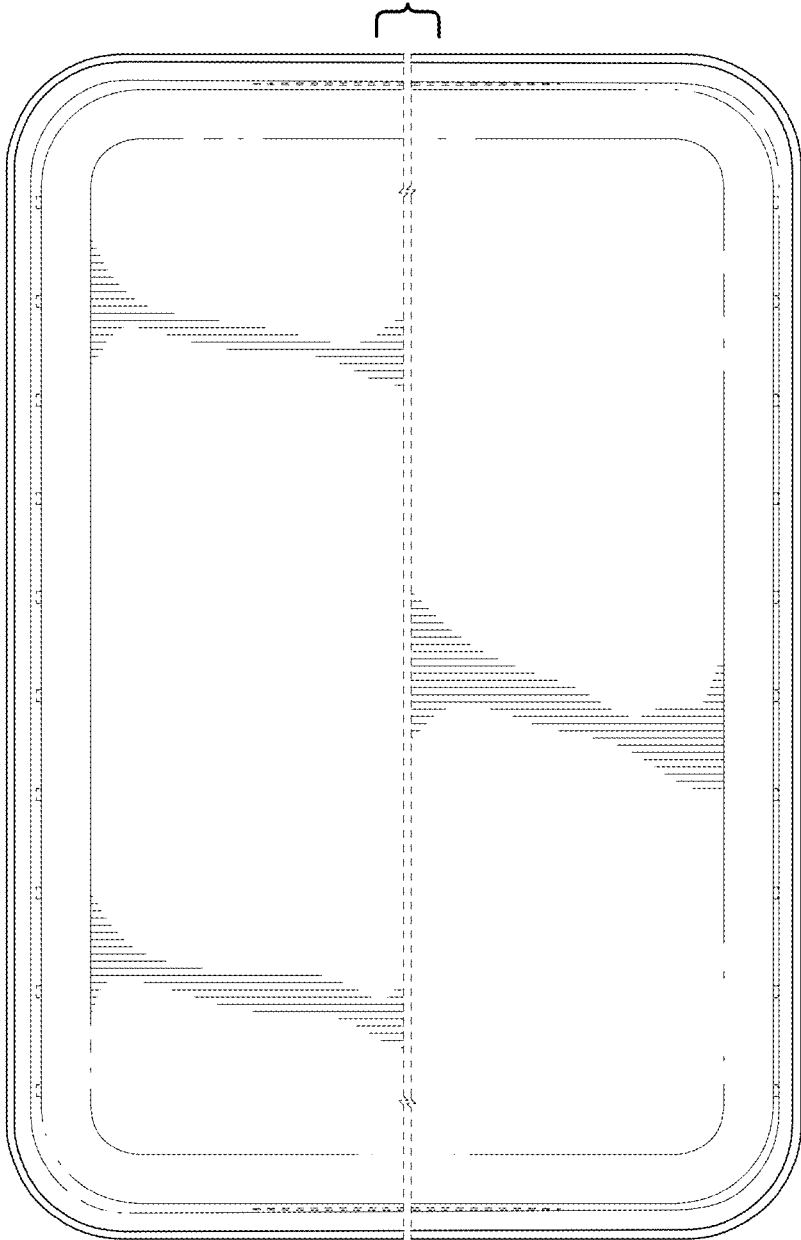


FIG.6

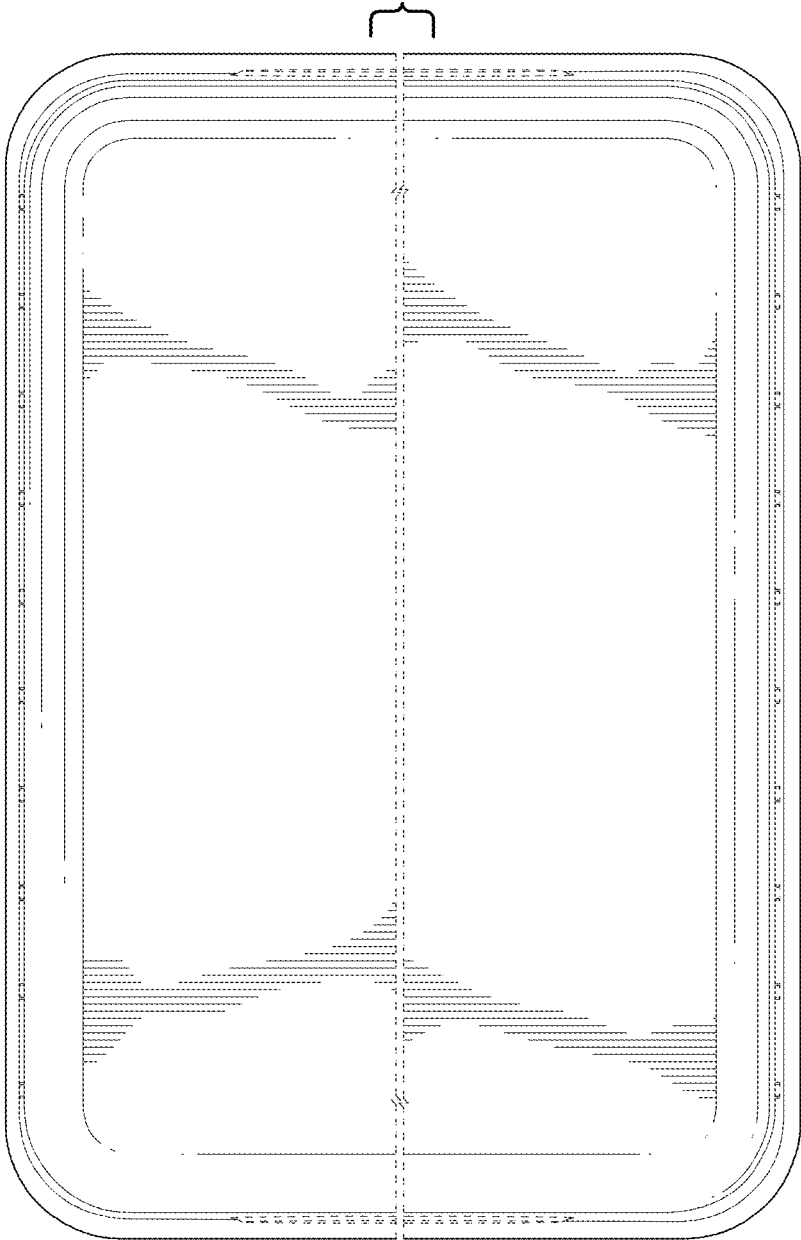


FIG.7