

(19) World Intellectual Property Organization
International Bureau



(43) International Publication Date
16 November 2006 (16.11.2006)

PCT

(10) International Publication Number
WO 2006/120633 A3

- (51) **International Patent Classification:**
A63F 13/00 (2006.01) A63F 3/00 (2006.01)
- (21) **International Application Number:**
PCT/IB2006/051436
- (22) **International Filing Date:** 8 May 2006 (08.05.2006)
- (25) **Filing Language:** English
- (26) **Publication Language:** English
- (30) **Priority Data:**
05103952.7 11 May 2005 (11.05.2005) EP
- (71) **Applicant (for all designated States except US):** KONINKLIJKE PHILIPS ELECTRONICS N.V. [NL/NL]; Groenewoudseweg 1, NL-5621 BA Eindhoven (NL).
- (72) **Inventors; and**
- (75) **Inventors/Applicants (for US only):** CORTENRAAD, Hubertus, M., R. [NL/NL]; c/o Prof. Holstlaan 6, NL-5656 AA Eindhoven (NL). BERGMAN, Anthonie, H. [NL/NL]; c/o Prof. Holstlaan 6, NL-5656 AA Eindhoven (NL).
- (74) **Agents:** GROENENDAAL, Antonius, W., M. et al.; Prof. Holstlaan 6, NL-5656 AA Eindhoven (NL).
- (81) **Designated States (unless otherwise indicated, for every kind of national protection available):** AE, AG, AL, AM,

AT, AU, AZ, BA, BB, BG, BR, BW, BY, BZ, CA, CH, CN, CO, CR, CU, CZ, DE, DK, DM, DZ, EC, EE, EG, ES, FI, GB, GD, GE, GH, GM, HR, HU, ID, IL, IN, IS, JP, KE, KG, KM, KN, KP, KR, KZ, LC, LK, LR, LS, LT, LU, LV, LY, MA, MD, MG, MK, MN, MW, MX, MZ, NA, NG, NI, NO, NZ, OM, PG, PH, PL, PT, RO, RU, SC, SD, SE, SG, SK, SL, SM, SY, TJ, TM, TN, TR, TT, TZ, UA, UG, US, UZ, VC, VN, YU, ZA, ZM, ZW.

- (84) **Designated States (unless otherwise indicated, for every kind of regional protection available):** ARIPO (BW, GH, GM, KE, LS, MW, MZ, NA, SD, SL, SZ, TZ, UG, ZM, ZW), Eurasian (AM, AZ, BY, KG, KZ, MD, RU, TJ, TM), European (AT, BE, BG, CH, CY, CZ, DE, DK, EE, ES, FI, FR, GB, GR, HU, IE, IS, IT, LT, LU, LV, MC, NL, PL, PT, RO, SE, SI, SK, TR), OAPI (BF, BJ, CF, CG, CI, CM, GA, GN, GQ, GW, ML, MR, NE, SN, TD, TG).

Declaration under Rule 4.17:

— as to applicant's entitlement to apply for and be granted a patent (Rule 4.17(ii))

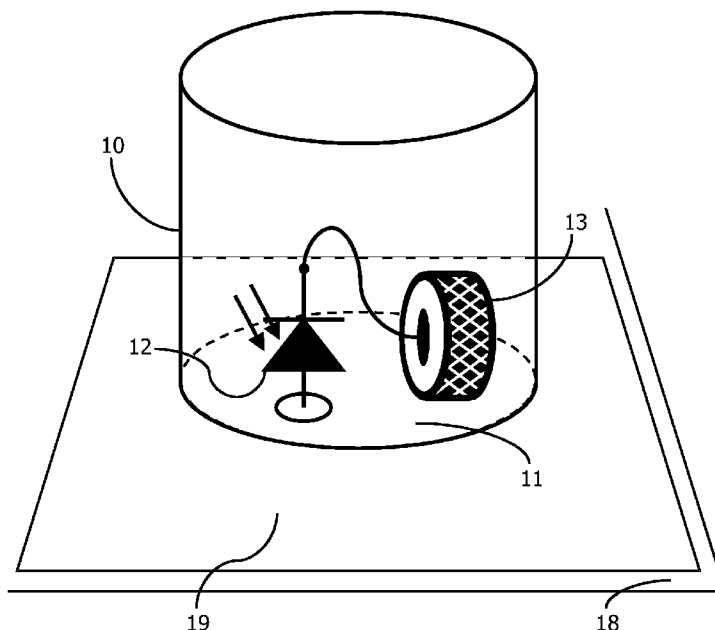
Published:

— with international search report

- (88) **Date of publication of the international search report:**
8 March 2007

[Continued on next page]

(54) **Title:** COMPUTER CONTROLLED PAWN



(57) **Abstract:** A pawn is provided (10) with a bottom surface (11) for supporting the pawn (10) on a display surface (19) of a display (18). The bottom surface (11) comprises an image detector (12) for detecting a control image on the display surface (19), underneath the bottom surface (11). The pawn (10) further comprises control means (13, 14), coupled to the image detector (12) for controlling an appearance or position of the pawn (10) in dependence of the control image.

WO 2006/120633 A3



For two-letter codes and other abbreviations, refer to the "Guidance Notes on Codes and Abbreviations" appearing at the beginning of each regular issue of the PCT Gazette.

INTERNATIONAL SEARCH REPORT

International application No
PCT/IB2006/051436A. CLASSIFICATION OF SUBJECT MATTER
INV. A63F13/00 A63F3/00

According to International Patent Classification (IPC) or to both national classification and IPC

B. FIELDS SEARCHED

Minimum documentation searched (classification system followed by classification symbols)
A63F G06F

Documentation searched other than minimum documentation to the extent that such documents are included in the fields searched

Electronic data base consulted during the international search (name of data base and, where practical, search terms used)

EPO-Internal, WPI Data

C. DOCUMENTS CONSIDERED TO BE RELEVANT

Category*	Citation of document, with indication, where appropriate, of the relevant passages	Relevant to claim No.
X	WO 01/15059 A (GAMALONG LTD [IL]; MORAG MEIR [IL]; ILAN GABRIEL [IL]) 1 March 2001 (2001-03-01) figures 1-13	1-10
A	WO 96/03188 A (SUPER DIMENSION INC [US]; GILBOA PINHAS [IL]) 8 February 1996 (1996-02-08)	
A	US 5 953 686 A (PIERNOT PHILIPPE P [US] ET AL) 14 September 1999 (1999-09-14)	
A	WO 01/97937 A (SHACKELFORD JUDITH ANN [US]) 27 December 2001 (2001-12-27)	
A	DE 296 11 937 U1 (MEYER WERNER [DE]) 14 November 1996 (1996-11-14)	

 Further documents are listed in the continuation of Box C. See patent family annex.

* Special categories of cited documents :

- *A* document defining the general state of the art which is not considered to be of particular relevance
- *E* earlier document but published on or after the international filing date
- *L* document which may throw doubts on priority claim(s) or which is cited to establish the publication date of another citation or other special reason (as specified)
- *O* document referring to an oral disclosure, use, exhibition or other means
- *P* document published prior to the international filing date but later than the priority date claimed

- *T* later document published after the international filing date or priority date and not in conflict with the application but cited to understand the principle or theory underlying the invention
- *X* document of particular relevance; the claimed invention cannot be considered novel or cannot be considered to involve an inventive step when the document is taken alone
- *Y* document of particular relevance; the claimed invention cannot be considered to involve an inventive step when the document is combined with one or more other such documents, such combination being obvious to a person skilled in the art.
- * & * document member of the same patent family

Date of the actual completion of the international search

7 November 2006

Date of mailing of the international search report

17/11/2006

Name and mailing address of the ISA/

European Patent Office, P.B. 5818 Patentlaan 2
NL - 2280 HV Rijswijk
Tel. (+31-70) 340-2040, Tx. 31 651 epo nl,
Fax: (+31-70) 340-3016

Authorized officer

Shmonin, Vladimir

INTERNATIONAL SEARCH REPORT

Information on patent family members

International application No

PCT/IB2006/051436

Patent document cited in search report		Publication date	Patent family member(s)		Publication date
WO 0115059	A	01-03-2001	AU	6721700 A	19-03-2001
WO 9603188	A	08-02-1996	AU	691654 B2	21-05-1998
			AU	3362195 A	22-02-1996
			CA	2196048 A1	08-02-1996
			EP	0775001 A1	28-05-1997
			JP	10503395 T	31-03-1998
			NZ	291950 A	26-06-1998
			US	5853327 A	29-12-1998
US 5953686	A	14-09-1999	NONE		
WO 0197937	A	27-12-2001	AU	6844101 A	02-01-2002
			US	6443796 B1	03-09-2002
DE 29611937	U1	14-11-1996	NONE		