

[54] BATTERY-OPERATED SCREWDRIVER OR SIMILAR ARTICLE

[75] Inventors: Robert I. Somers, Sparks; Martin P. Gierke, Baltimore, both of Md.

[73] Assignee: Black & Decker Inc., Newark, Del.

[**] Term: 14 Years

[21] Appl. No.: 907,720

[22] Filed: Sep. 12, 1986

[52] U.S. Cl. D8/61; D8/82

[58] Field of Search D8/82, 83, 85, 61-70, D8/107; 81/57.11, 57.13, 57.14; 173/170; 310/50; 51/170 R, 170 PT

[56] References Cited

U.S. PATENT DOCUMENTS

D. 295,601	5/1988	Suetlik	D8/61
2,467,083	5/1945	Francis, Jr. .	
2,780,966	4/1953	Frost et al. .	
2,964,151	12/1958	Eckman .	
3,195,704	7/1965	Linsker .	
3,276,524	10/1966	Falter .	
3,440,861	4/1969	Oehlerking	173/170
3,724,563	4/1973	Wickham et al. .	
3,802,518	4/1974	Albert .	
3,935,909	2/1976	Mabuchi et al.	51/170 PT
4,078,589	3/1978	Miller .	

FOREIGN PATENT DOCUMENTS

2096510B 10/1982 United Kingdom .

OTHER PUBLICATIONS

Skil Operating Guide, Model 2105 Cordless Screwdriver (cover only); publication date unknown. ¼" Hex. Dr. Cordless Power Screwdriver, SA-701 Operating Manual International Consumer Brands, Inc. carton.

Primary Examiner—Bruce W. Dunkins
Assistant Examiner—Clare E. Heflin
Attorney, Agent, or Firm—Dennis A. Dearing; Edward D. Murphy

[57] CLAIM

The ornamental design for a battery-operated screwdriver or similar article, as shown and described.

DESCRIPTION

FIG. 1 is a front perspective view of a battery operated screwdriver showing our new design;
FIG. 2 is a top, plan view thereof;
FIG. 3 is a right side elevational view thereof, the left side being a mirror image;
FIG. 4 is a bottom plan view thereof;
FIG. 5 is a rear elevational view thereof;
FIG. 6 is a front elevational view thereof.

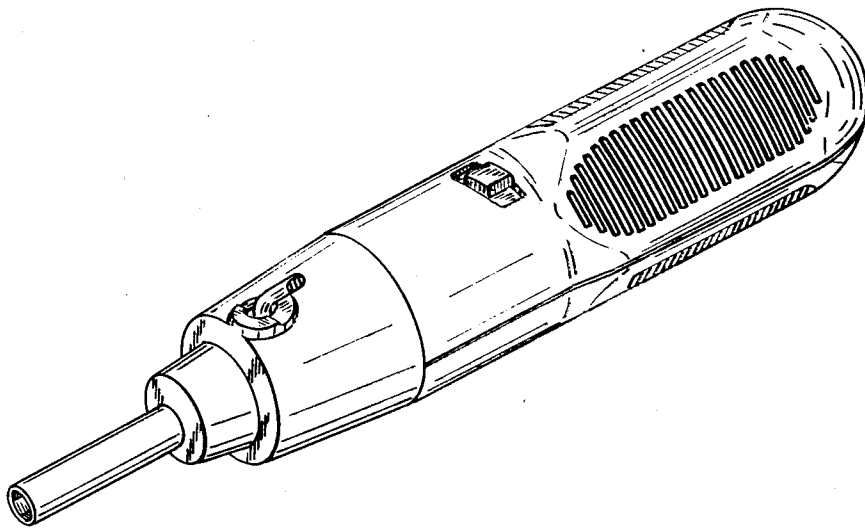


FIG. 1

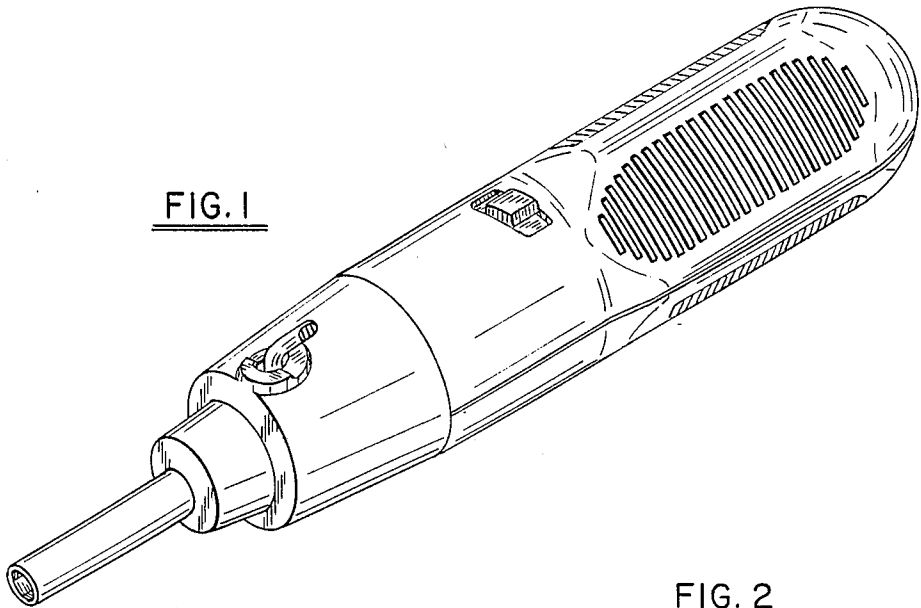


FIG. 2

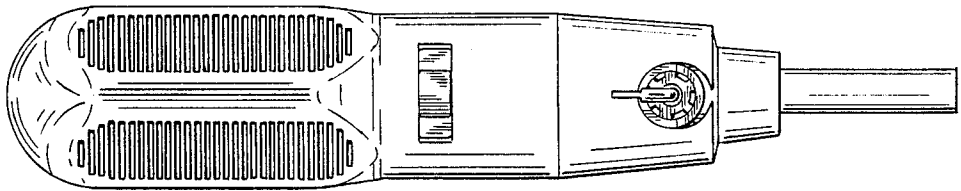


FIG. 3

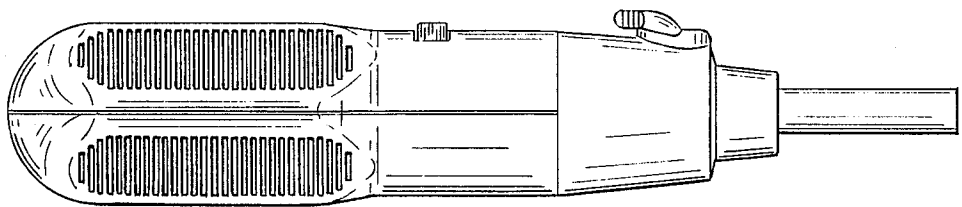


FIG. 4

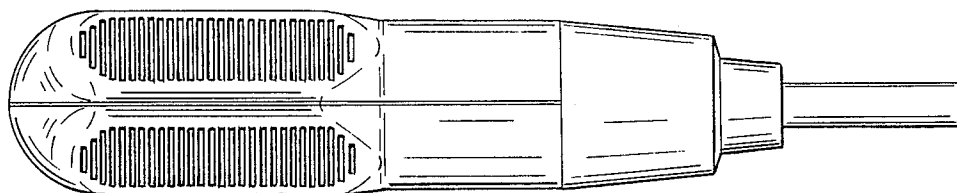


FIG. 5

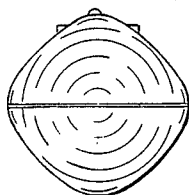


FIG. 6

