



US00D415147S

United States Patent [19]
Adachi

[11] **Patent Number: Des. 415,147**
[45] **Date of Patent: ** Oct. 12, 1999**

[54] **SMALL SIZED MONITOR TELEVISION**

Attorney, Agent, or Firm—Koda & Androlia

[75] Inventor: **Tomoyuki Adachi**, Nakamachi, Japan

[57] **CLAIM**

[73] Assignee: **Elmo Co., Ltd.**, Aichi, Japan

The ornamental design for a small sized monitor television, as shown and described.

[**] Term: **14 Years**

DESCRIPTION

[21] Appl. No.: **29/086,424**

FIG. 1 is front elevational view of the small sized monitor television showing my new design;

[22] Filed: **Apr. 13, 1998**

FIG. 2 is a rear elevational view thereof;

[51] **LOC (6) Cl.** **14-03**

[52] **U.S. Cl.** **D14/126; D14/132**

FIG. 3 is a top view thereof;

[58] **Field of Search** **D14/113, 124-134;**

312/7.2; 348/836, 838

FIG. 4 is bottom view thereof;

FIG. 5 is a right side elevational view thereof;

FIG. 6 is a left side elevational view thereof;

[56] **References Cited**

U.S. PATENT DOCUMENTS

D. 294,576 3/1988 Okamoto D14/129

D. 385,872 11/1997 Nakamura D14/136

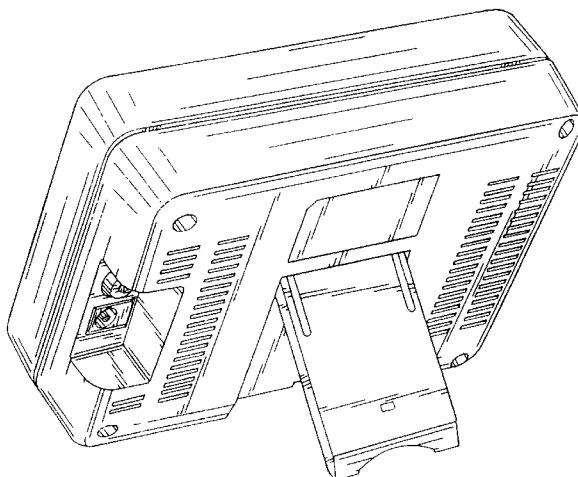
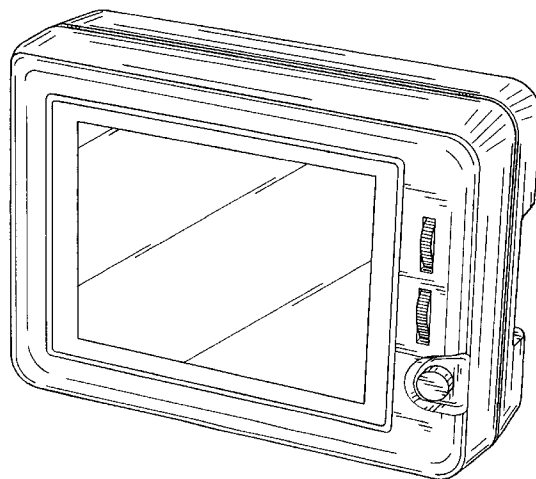
D. 388,077 12/1997 Stark D14/126

FIG. 7 is a perspective view taken from the front, top and right side of the small sized monitor television; and,

FIG. 8 is a perspective view taken from the rear, top and right side of the small sized monitor television standing via the retractable support.

Primary Examiner—Ted Shooman
Assistant Examiner—Richelle Shelton

1 Claim, 5 Drawing Sheets



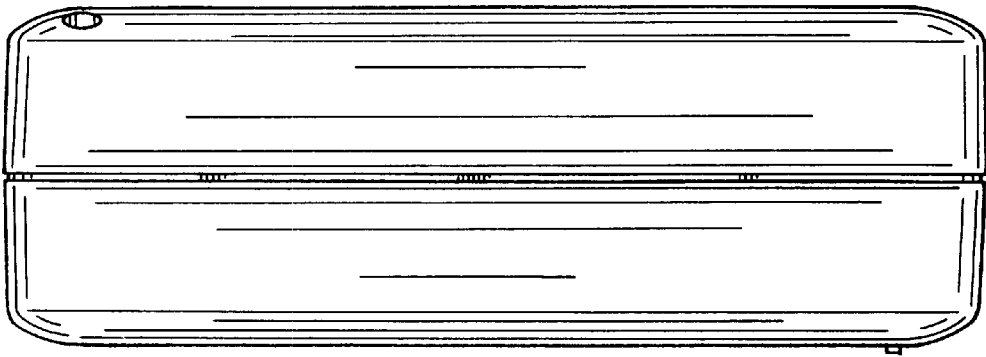


FIG. 3

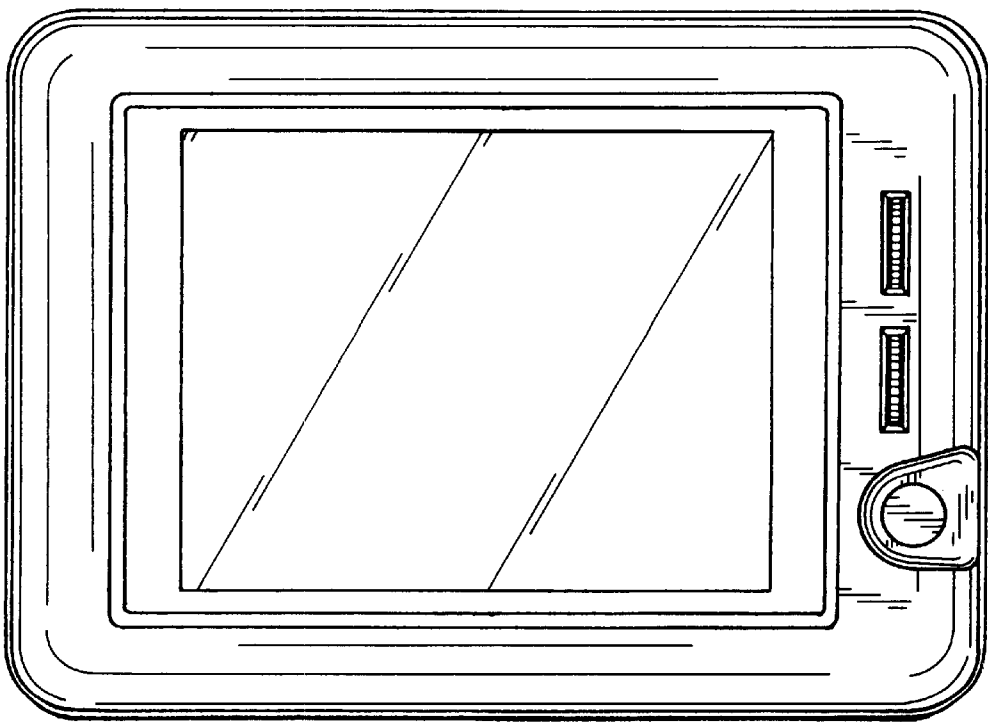


FIG. 1

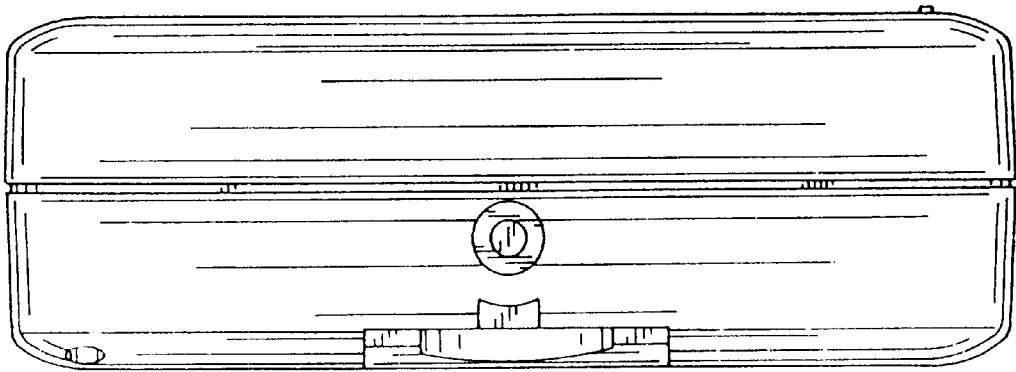


FIG. 4

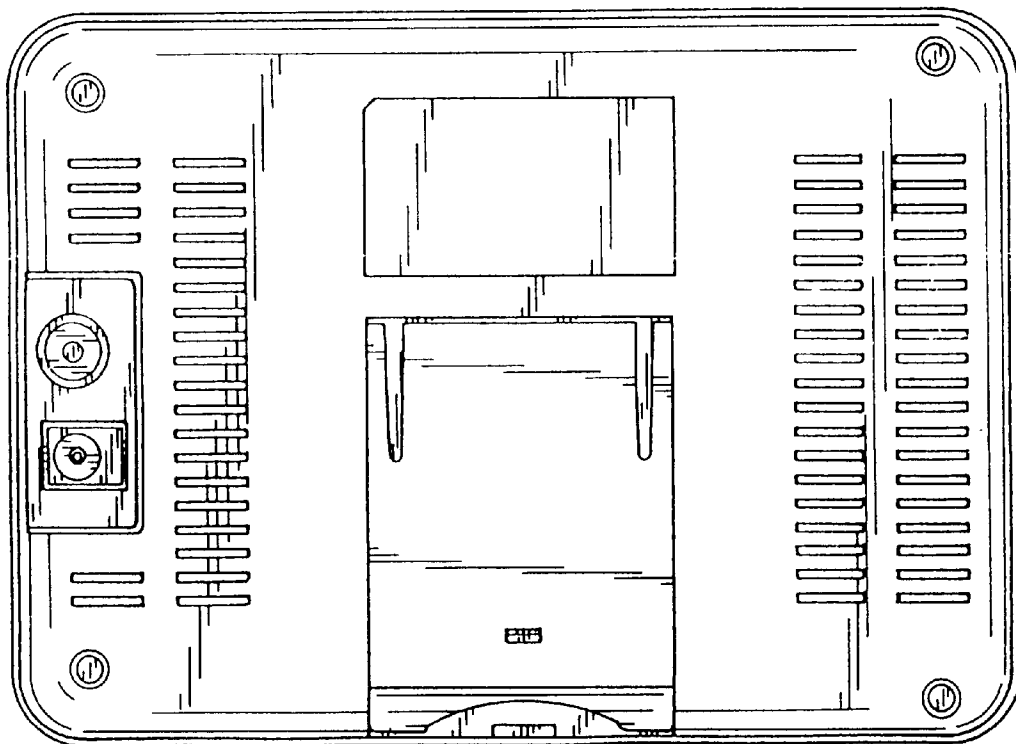


FIG. 2

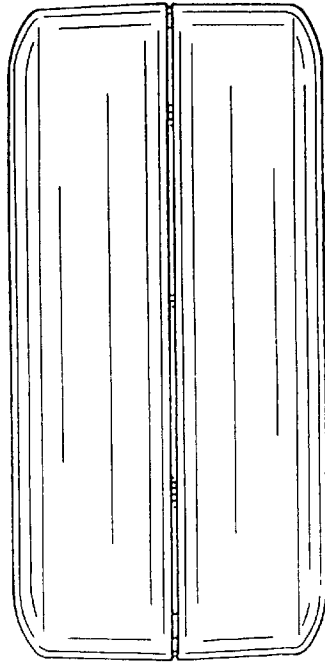


FIG. 6

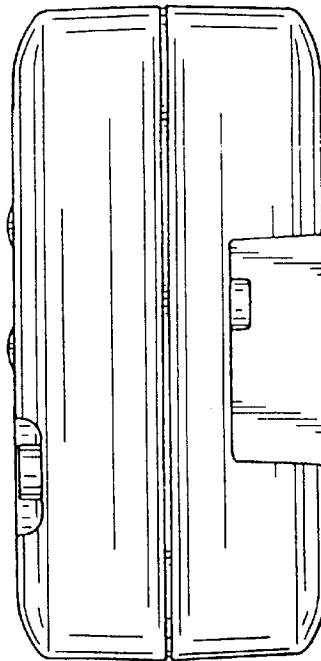


FIG. 5

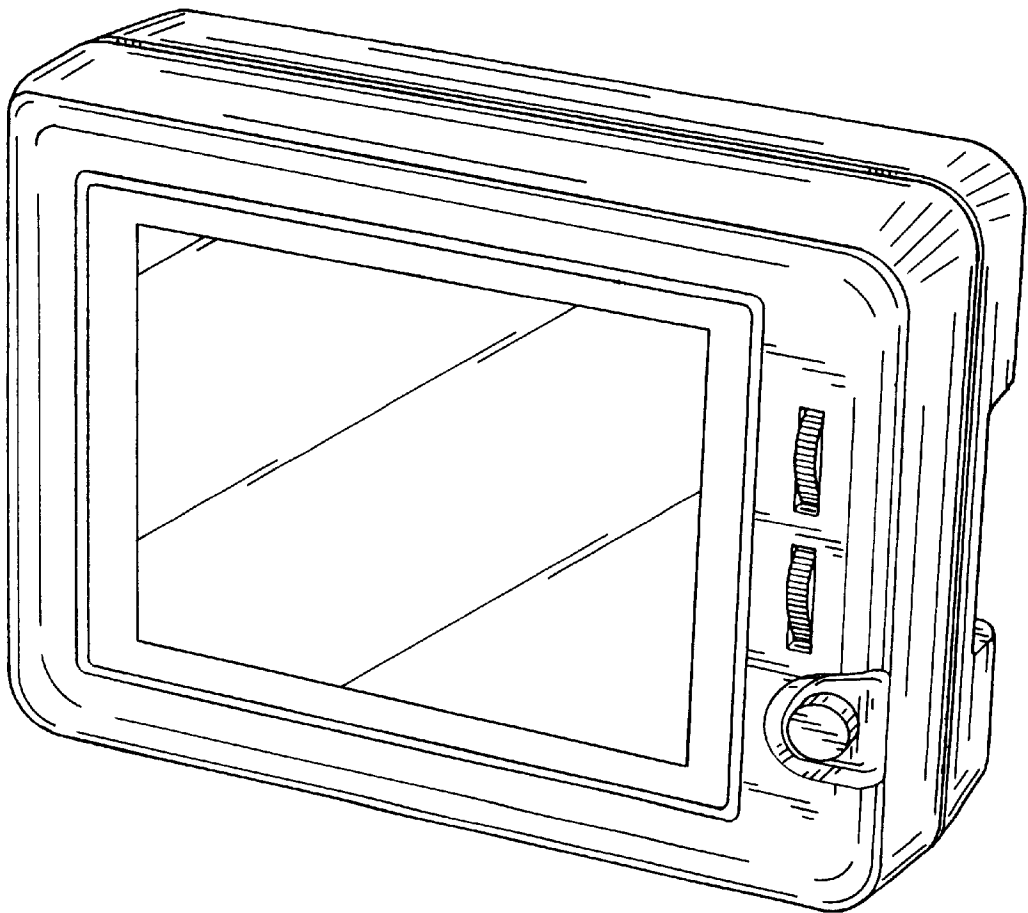


FIG. 7

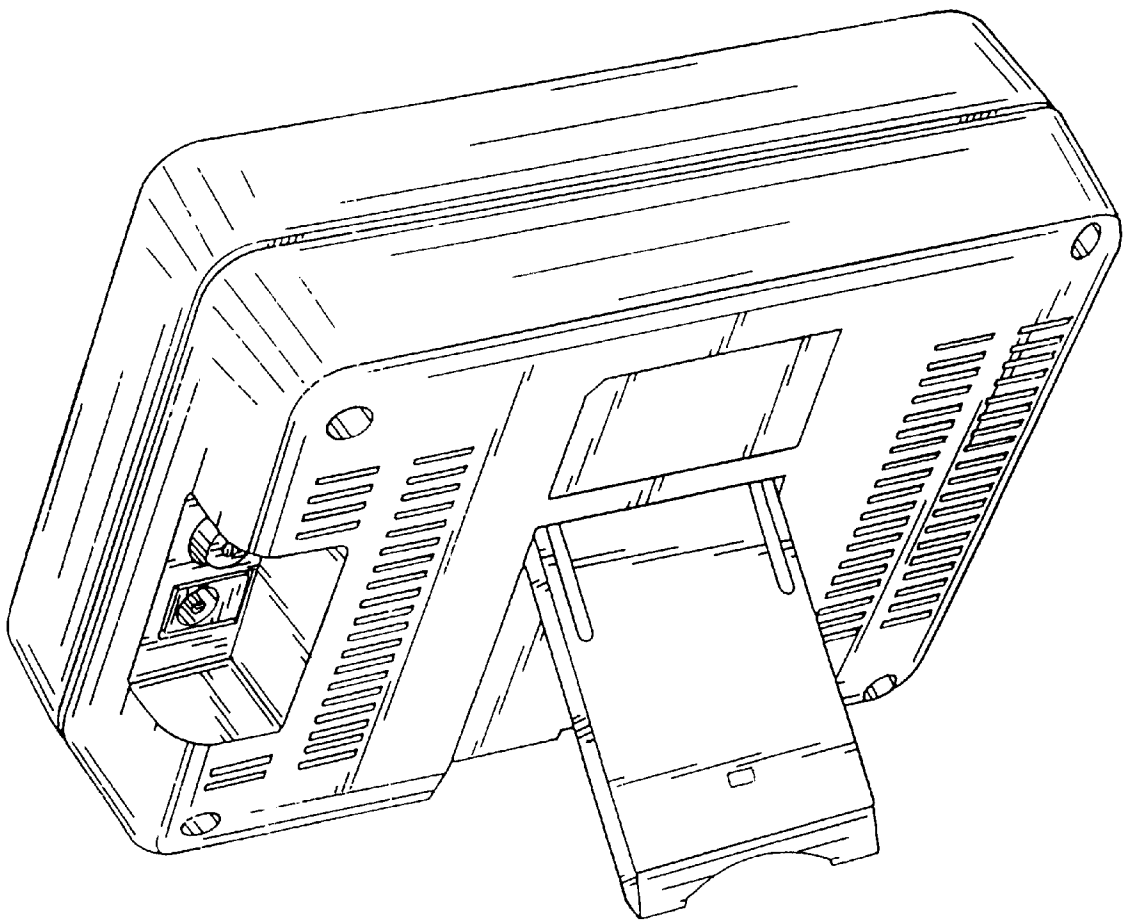


FIG. 8

UNITED STATES PATENT AND TRADEMARK OFFICE
CERTIFICATE OF CORRECTION

PATENT NO. : D 415,147
DATED : October 12, 1999
INVENTOR(S) : Tomoyuki Adachi

It is certified that error appears in the above-identified patent and that said Letters Patent is hereby corrected as shown below:

Item [75] Inventor: Change "Tomoyuki Adachi, Nakamachi, Japan," to --Tomoyuki Adachi, Kounan, Japan--

Item [30] Foreign Application Priority Data:

Add --October 13, 1997 [JP] Japan 9-71258--

Signed and Sealed this
Second Day of May, 2000

Attest:



Q. TODD DICKINSON

Attesting Officer

Director of Patents and Trademarks