



US0D1011237S

(12) **United States Design Patent**  
**Riggs et al.**

(10) **Patent No.:** **US D1,011,237 S**

(45) **Date of Patent:** **\*\* Jan. 16, 2024**

- (54) **ELECTRIC MOTORBIKE**
- (71) Applicant: **Monday Motorbikes, Inc.**, Signal Hill, CA (US)
- (72) Inventors: **Bruce K. Riggs**, Round Rock, TX (US); **Ramon Rodriguez**, Long Beach, CA (US)
- (73) Assignee: **Monday Motorbikes, Inc.**, Signal Hill, CA (US)

D758,924	S	*	6/2016	Tamura	.....	D12/110
D782,368	S	*	3/2017	Fujimoto	.....	D12/110
D795,746	S	*	8/2017	Akita	.....	D12/110
D797,002	S	*	9/2017	Toyama	.....	D12/110
D797,608	S	*	9/2017	Tachibana	.....	D12/110
D801,230	S	*	10/2017	Endo	.....	D12/110
D807,231	S	*	1/2018	Petersson	.....	D12/110
D815,566	S	*	4/2018	Oyanagi	.....	D12/110
D817,230	S	*	5/2018	Tamura	.....	D12/110

(Continued)

(\*\*) Term: **15 Years**

(21) Appl. No.: **29/842,611**

(22) Filed: **Jun. 14, 2022**

(51) **LOC (14) Cl.** ..... **12-11**

(52) **U.S. Cl.**  
USPC ..... **D12/110**

(58) **Field of Classification Search**  
USPC ..... D12/110, 111, 117; D21/432, 538  
CPC ..... B62K 11/00; B62K 11/02; B62K 11/04;  
B62K 11/10; B62K 17/00; B62K 19/00;  
B62K 2202/00

See application file for complete search history.

(56) **References Cited**

**U.S. PATENT DOCUMENTS**

D606,906	S	*	12/2009	Chosa	.....	D12/110
D611,881	S	*	3/2010	Toriyama	.....	D12/110
D643,341	S	*	8/2011	Uchiyama	.....	D12/110
D647,825	S	*	11/2011	Shibuta	.....	D12/110
D670,204	S	*	11/2012	Yasuhara	.....	D12/110
D686,538	S	*	7/2013	Nagao	.....	D12/110
D688,982	S	*	9/2013	Oyanagi	.....	D12/110
D689,406	S	*	9/2013	Yasuhara	.....	D12/110
D755,084	S	*	5/2016	Sakata	.....	D12/110
D755,680	S	*	5/2016	Yashuhara	.....	D12/110
D755,681	S	*	5/2016	Martin	.....	D12/110
D755,682	S	*	5/2016	Hahn-Woernle	.....	D12/110
D756,268	S	*	5/2016	Yamada	.....	D12/110
D758,923	S	*	6/2016	Yamada	.....	D12/110

**OTHER PUBLICATIONS**

Micah Toll. "These are the top new electric motorcycle releases I'm excited for in 2021." *Electrek.*, Jan. 8, 2021 [online], [retrieved on Oct. 9, 2023]. Retrieved from the Internet <URL: <https://electrek.co/2021/01/08/here-are-the-top-new-electric-motorcycle-releases-2021/>>.\*

(Continued)

*Primary Examiner* — Darlington Ly

(74) *Attorney, Agent, or Firm* — KOWERT, HOOD, MUNYON, RANKIN & GOETZEL, P.C.; Gareth M. Sampson

(57) **CLAIM**

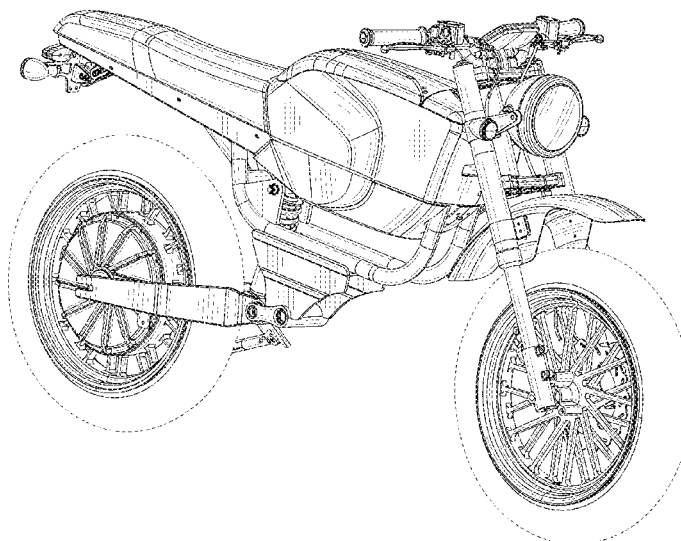
The ornamental design for an electric motorbike, as shown and described.

**DESCRIPTION**

FIG. 1 is a front and right side perspective view of an electric motorbike embodying our new design; FIG. 2 is a front elevational view thereof; FIG. 3 is a rear elevational view thereof; FIG. 4 is left side elevational view thereof; FIG. 5 is right side elevational view thereof; and, FIG. 6 is a top plan view thereof.

The broken lines are included for the purpose of illustrating portions of the article and form no part of the claimed design.

**1 Claim, 6 Drawing Sheets**



(56)

References Cited

U.S. PATENT DOCUMENTS

D821,269	S	*	6/2018	Sasanami .....	D12/110
D847,031	S	*	4/2019	Kobayashi .....	D12/110
D849,602	S	*	5/2019	Oyanagi .....	D12/110
D871,976	S	*	1/2020	Martin .....	D12/110
D874,985	S	*	2/2020	Shigihara .....	D12/110
D875,615	S	*	2/2020	Martin .....	D12/110
D875,616	S	*	2/2020	Martin .....	D12/110
D875,617	S	*	2/2020	Nagase .....	D12/110
D876,990	S	*	3/2020	Yoshitomi .....	D12/110
D884,562	S	*	5/2020	Usami .....	D12/110
D902,083	S	*	11/2020	Arru .....	D12/110
D911,223	S	*	2/2021	Kinoshita .....	D12/110

OTHER PUBLICATIONS

Chris Randall. "Niu presents new electric motorbike & 3-wheeler." Electrive., Jan. 8, 2020 [online], [retrieved on Oct. 9, 2023].

Retrieved from the Internet <URL: <https://www.electrive.com/2020/01/08/niu-presents-new-electric-motorbike-3-wheeler/>>.\*

"Fuel Flow—Electric Motorcycle Specs Review." All Electric Motorcycle., Aug. 13, 2020 [online], [retrieved on Oct. 9, 2023]. Retrieved from the Internet <URL: <https://allelectricmotorcycle.com/electric-naked-standard/fuell-flow-electric-motorcycle-review/>>.\*

"RAY." CHGC International Holdings Limited., Jan. 19, 2020 [online], [retrieved on Oct. 9, 2023]. Retrieved from the Internet <URL: <http://www.chgcgroup.com/electric-motorcycle/73.html>>.\*

"Monday motorbikes M1 is a minimalist e-bike built for city commutes." Design Boom., Aug. 15, 2017 [online], [retrieved on Oct. 9, 2023]. Retrieved from the Internet <URL: <https://www.designboom.com/technology/monday-motorbikes-m1-8-14-2017/>>.\*

\* cited by examiner

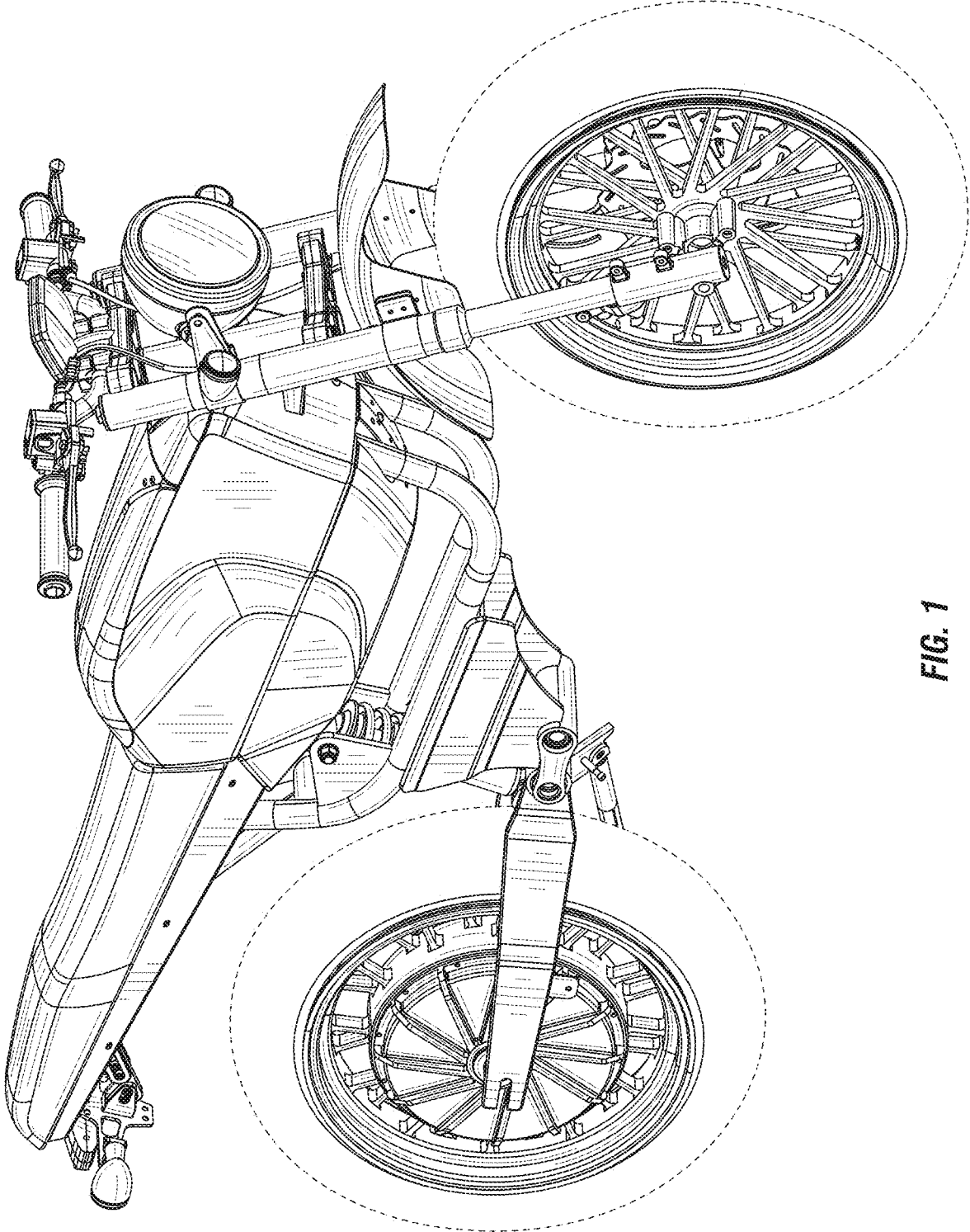


FIG. 1

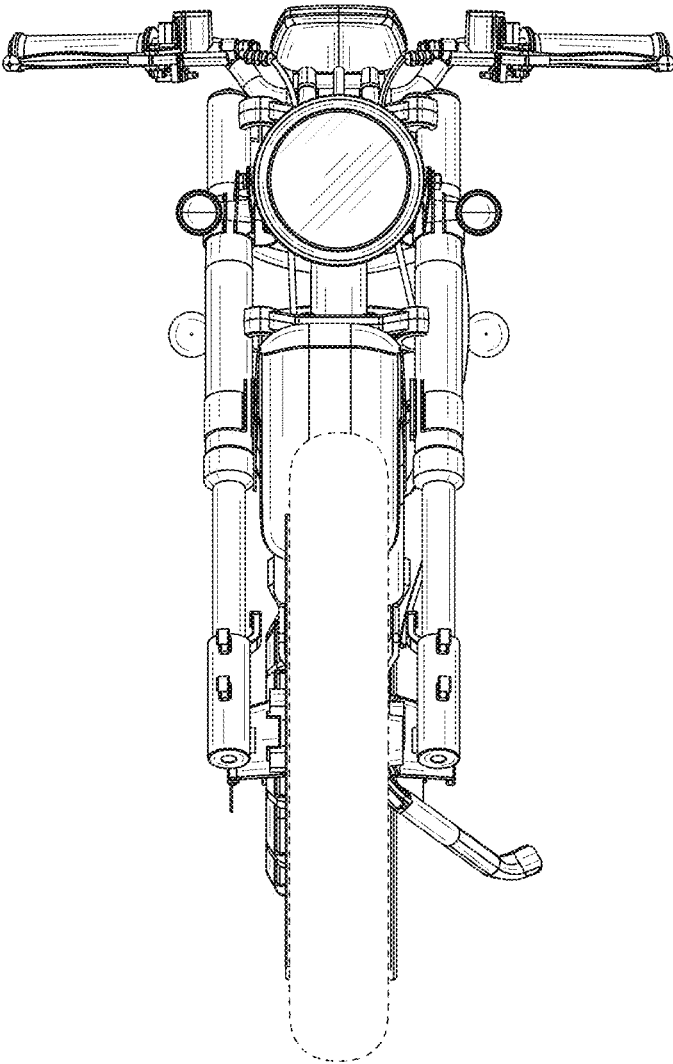
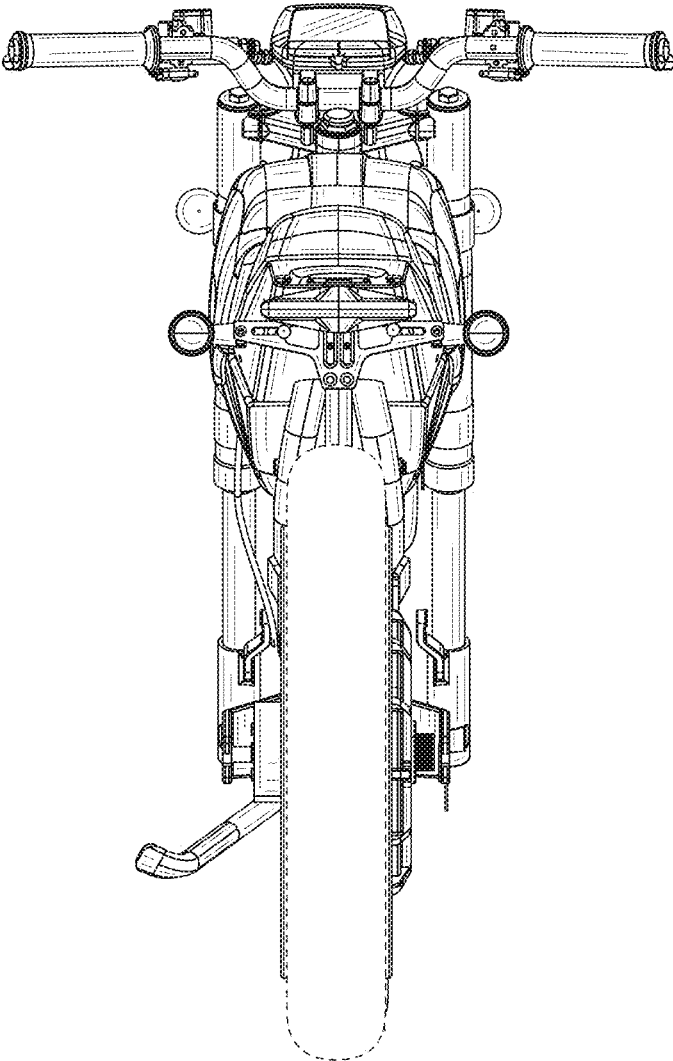


FIG. 2



**FIG. 3**

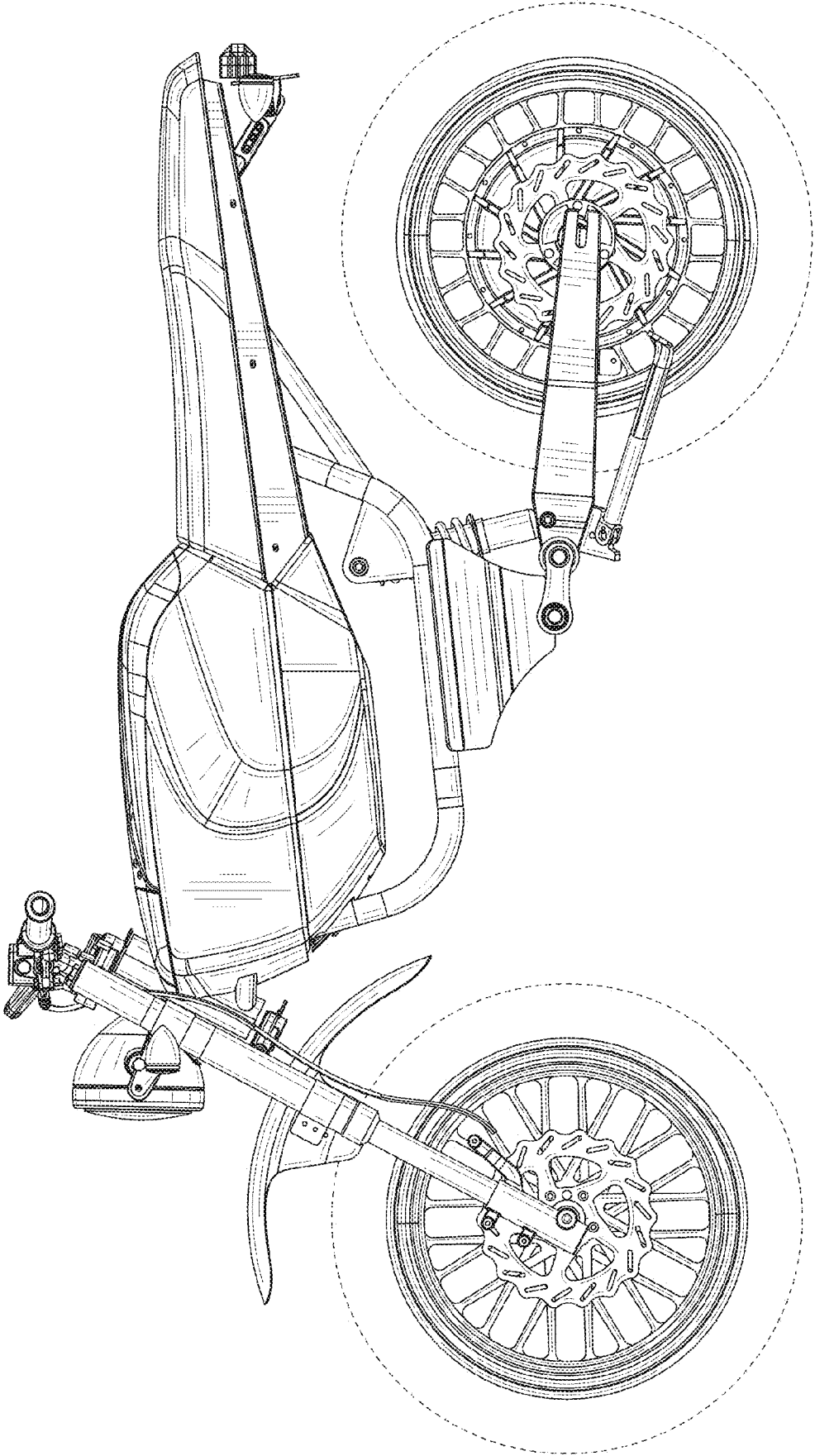


FIG. 4

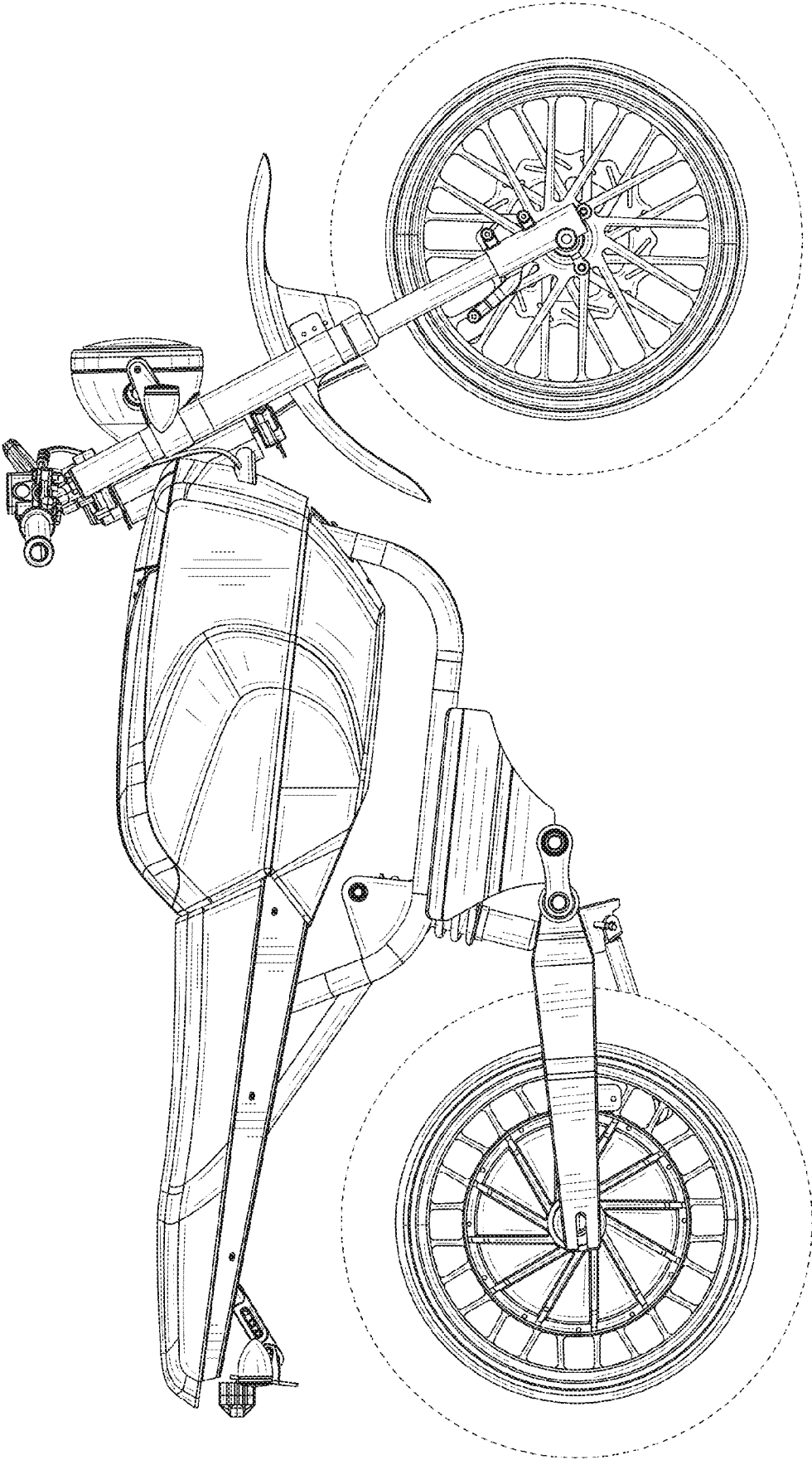


FIG. 5

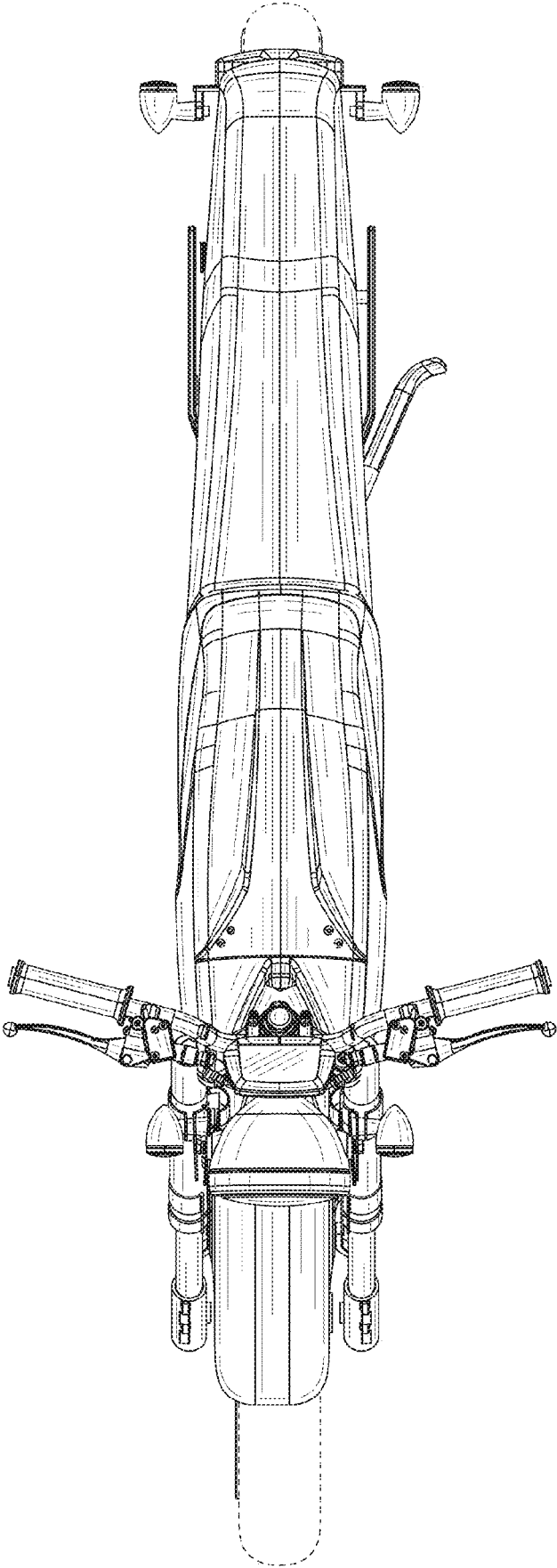


FIG. 6