

March 13, 1951

L. G. MEYERS
DISPLAY RACK

Des. 162,425

Filed Nov. 20, 1950

2 Sheets-Sheet 1

FIG. 1.

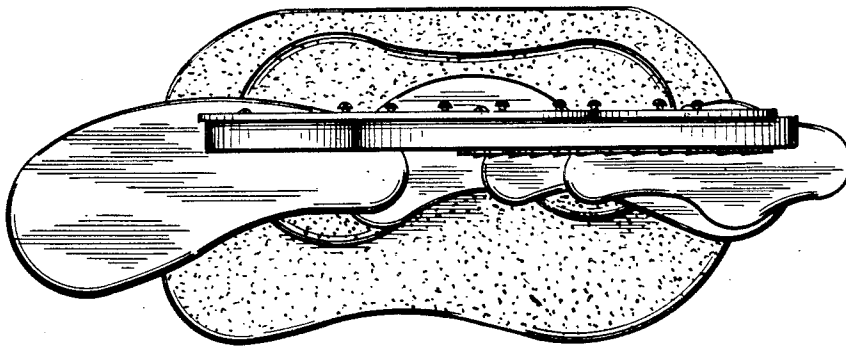
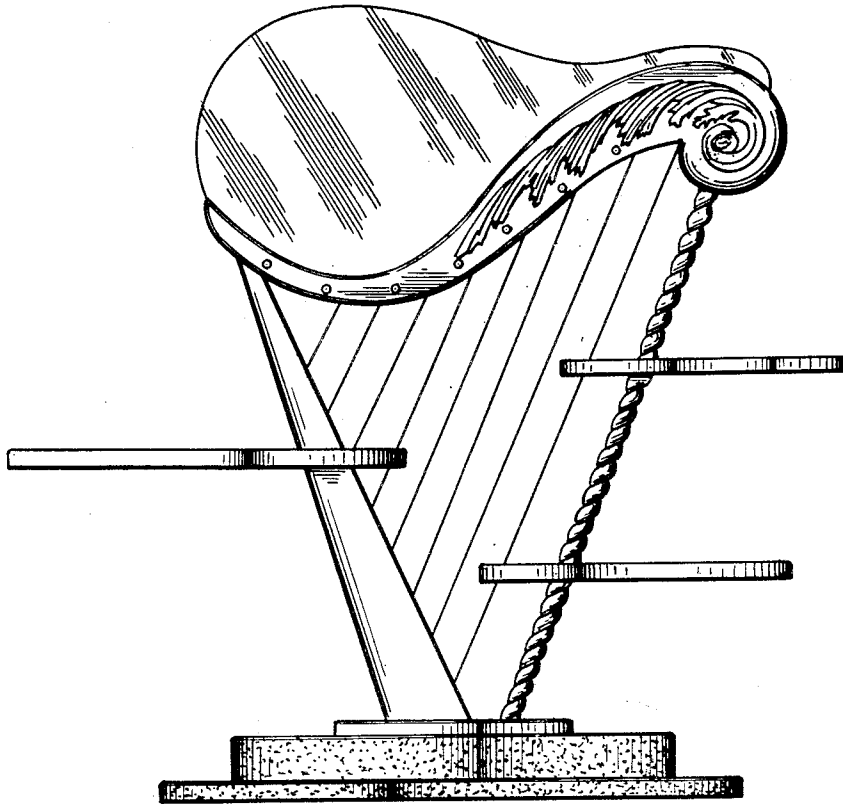


FIG. 2.

INVENTOR

L.G. Meyers

BY *Kimmel & Crowell*
ATTORNEYS

March 13, 1951

L. G. MEYERS
DISPLAY RACK

Des. 162,425

Filed Nov. 20, 1950

2 Sheets-Sheet 2

FIG. 2

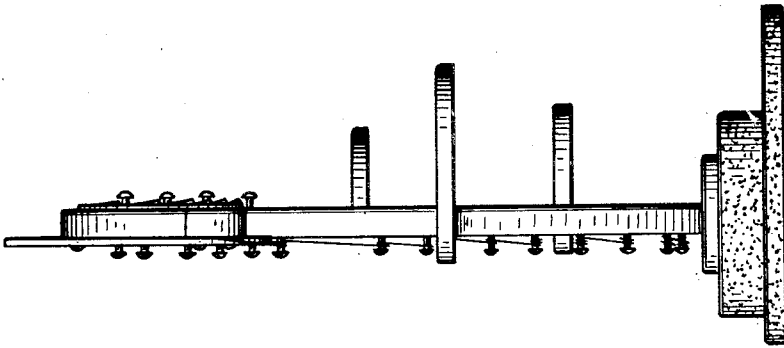
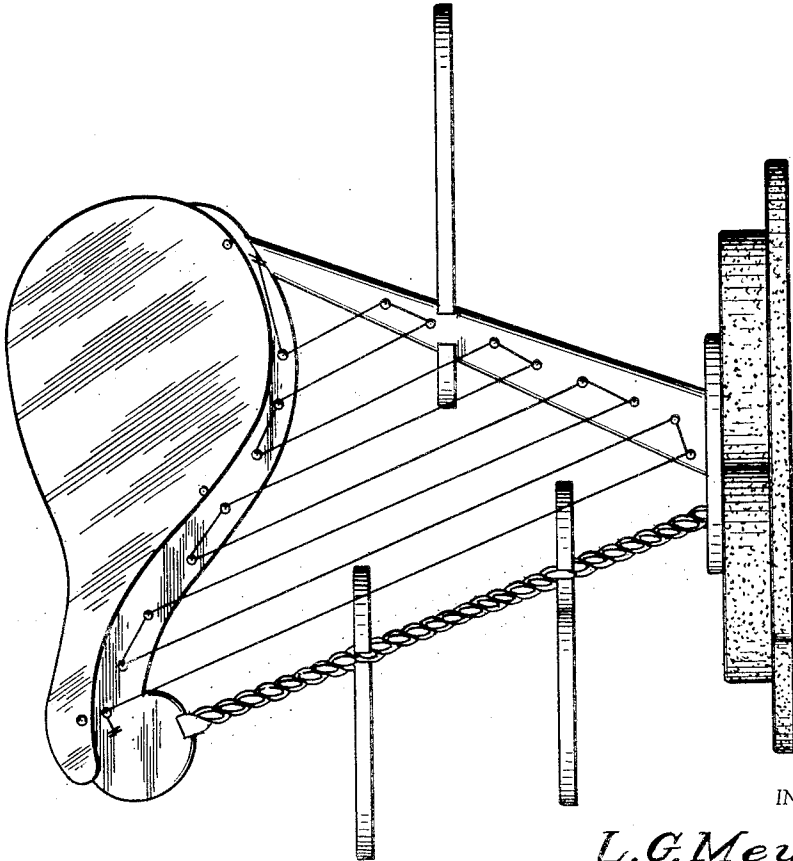


FIG. 3



INVENTOR

L. G. Meyers

BY *Kimmel & Crowell*
ATTORNEYS

UNITED STATES PATENT OFFICE

162,425

DISPLAY RACK

Louis G. Meyers, New York, N. Y.

Application November 20, 1950, Serial No. 13,062

Term of patent 7 years

(Cl. D80—9)

To all whom it may concern:

Be it known that I, Louis G. Meyers, a citizen of the United States of America, residing at New York city, in the county of New York and State of New York, have invented a new, original, and ornamental Design for a Display Rack, of which the following is a specification, reference being had to the accompanying drawing, forming a part thereof.

In the drawing:

Figure 1 is a front elevational view of a display rack embodying my new design,

Figure 2 is a top plan view thereof,

Figure 3 is a rear elevational view,

Figure 4 is a side elevational view.

I claim:

The ornamental design for a display rack, as shown.

LOUIS G. MEYERS.

REFERENCES CITED

The following references are of record in the file of this patent:

UNITED STATES PATENTS

Number	Name	Date
D. 35,905	Buffum -----	May 13, 1902
D. 61,837	Stockdale -----	Jan. 23, 1923
D. 120,119	Florman -----	Apr. 23, 1940

OTHER REFERENCES

Modern Display, rec'd. May 1941, page 109, item No. J-192.