



US00D744497S

(12) **United States Design Patent**
Kim et al.

(10) **Patent No.:** **US D744,497 S**

(45) **Date of Patent:** **** Dec. 1, 2015**

(54) **DISPLAY SCREEN WITH ANIMATED GRAPHICAL USER INTERFACE**

(71) Applicant: **Samsung Electronics Co., Ltd.**,
Suwon-si (KR)

(72) Inventors: **Sun-Ae Kim**, Seoul (KR); **Mi-Yeon Ahn**, Seoul (KR)

(73) Assignee: **Samsung Electronics Co., Ltd.**,
Suwon-si (KR)

(**) Term: **14 Years**

(21) Appl. No.: **29/466,021**

(22) Filed: **Sep. 4, 2013**

(30) **Foreign Application Priority Data**

Mar. 8, 2013 (KR) 30-2013-0011957

(51) **LOC (10) Cl.** **14-03**

(52) **U.S. Cl.**

USPC **D14/485**

(58) **Field of Classification Search**

USPC D14/485-495; D20/24; D18/26, 31-33;
715/702, 764

CPC G06F 3/016; G06F 3/0481; G06F 3/0482
See application file for complete search history.

(56) **References Cited**

U.S. PATENT DOCUMENTS

D656,157 S *	3/2012	Khan et al.	D14/486
D681,044 S *	4/2013	Sakata	D14/485
D682,292 S *	5/2013	Mori et al.	D14/486
D693,833 S *	11/2013	Inose et al.	D14/485
D695,776 S *	12/2013	Edwards et al.	D14/488
D695,781 S *	12/2013	Edwards et al.	D14/488
D697,932 S *	1/2014	Lee et al.	D14/486
D707,694 S *	6/2014	Satterfield et al.	D14/486
D707,704 S *	6/2014	Capua et al.	D14/488
D708,200 S *	7/2014	Yu et al.	D14/486

D708,210 S *	7/2014	Capua et al.	D14/488
D726,744 S *	4/2015	Park	D14/486
D727,934 S *	4/2015	Jin et al.	D14/486
D730,376 S *	5/2015	Ranz et al.	D14/486
D730,381 S *	5/2015	Zhong et al.	D14/487

* cited by examiner

Primary Examiner — Brandon M Rosati

Assistant Examiner — Rhea Shields

(74) *Attorney, Agent, or Firm* — NSIP Law

(57) **CLAIM**

The ornamental design for a display screen with animated graphical user interface, as shown and described.

DESCRIPTION

FIG. 1 is the first image in a sequence for a display screen with animated graphical user interface showing our new design;

FIG. 2 is the second image thereof;

FIG. 3 is the third image thereof;

FIG. 4 is the fourth image thereof;

FIG. 5 is the fifth image thereof;

FIG. 6 is the first image in a second embodiment sequence for a display screen with animated graphical user interface,

FIG. 7 is the second image thereof;

FIG. 8 is the third image thereof;

FIG. 9 is the fourth image thereof;

FIG. 10 is the fifth image thereof;

FIG. 11 is the sixth image thereof; and,

FIG. 12 is the seventh image thereof.

The appearance of the animated graphical user interface sequentially transitions between the images shown in FIGS. 1-5 and FIGS. 6-12. The process or period in which one image transitions to another forms no part of the claimed design.

In the drawings, the broken lines are for the purpose of illustrating portions of a display screen with animated graphical user interface and environmental structure that form no part of the claimed design.

1 Claim, 12 Drawing Sheets

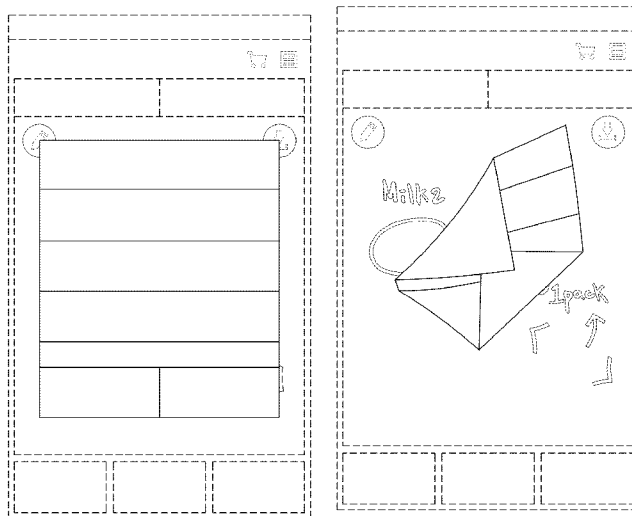


FIG. 1

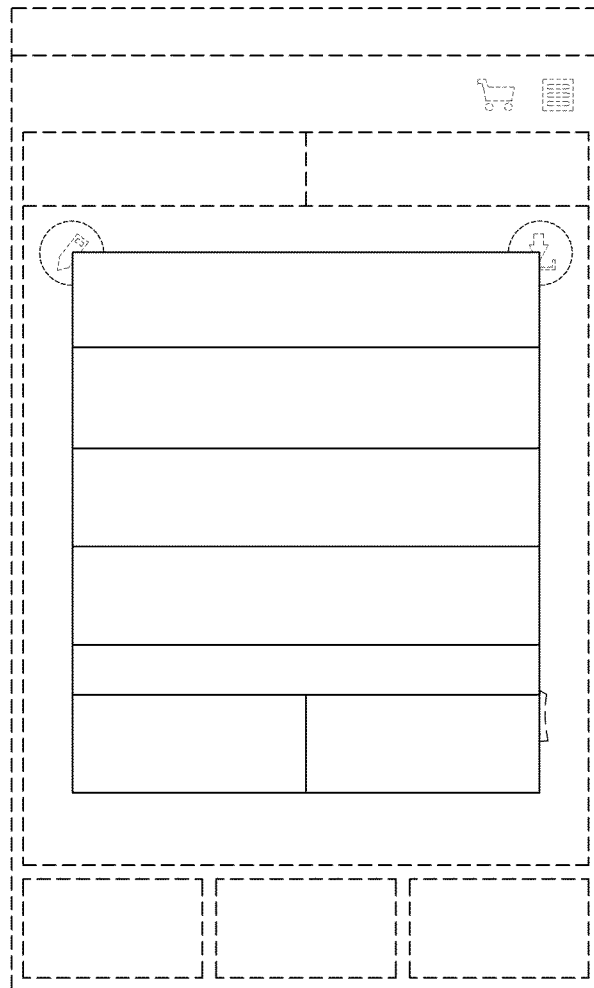


FIG. 2

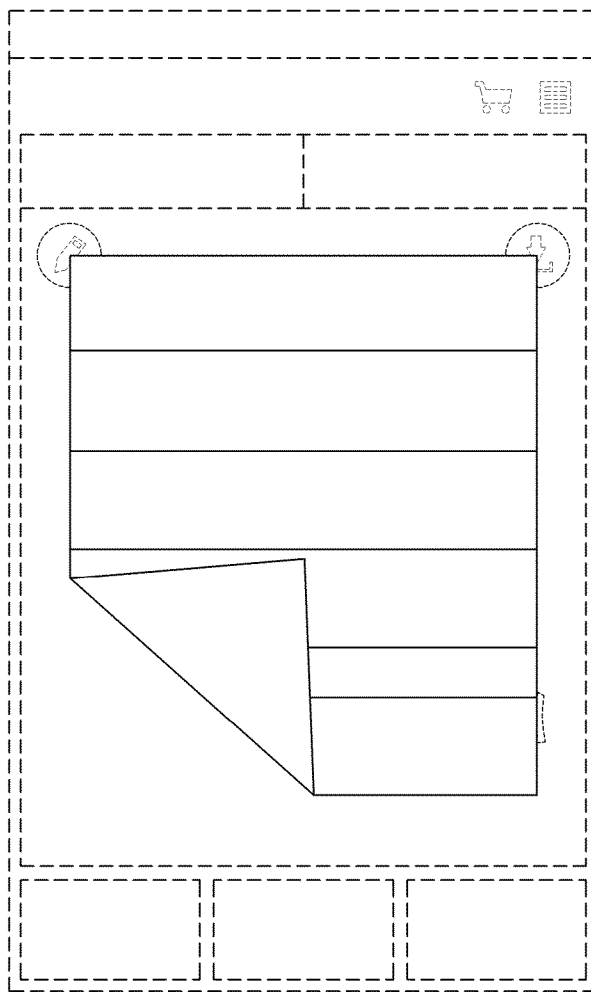


FIG. 3

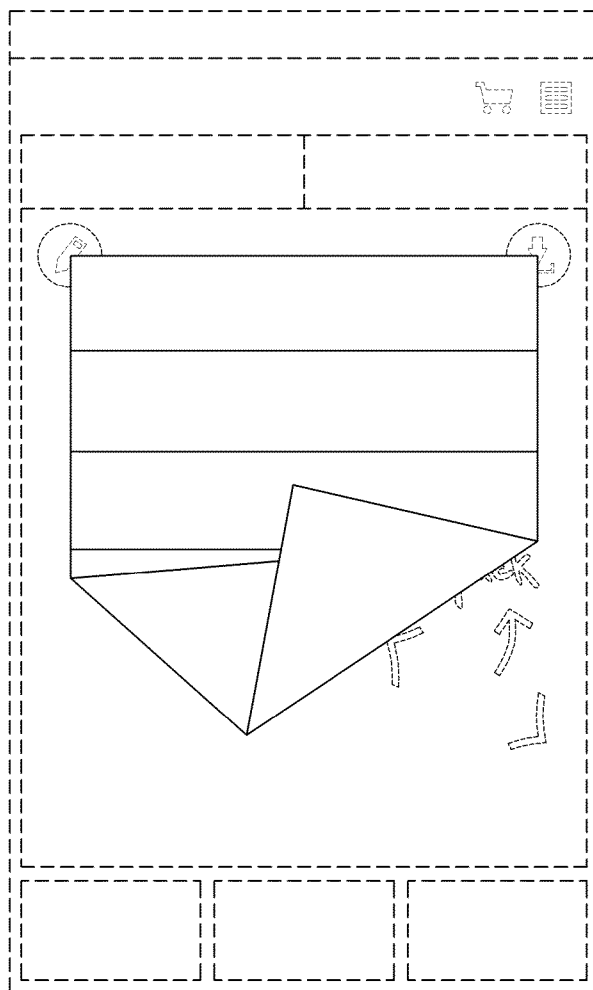


FIG. 4

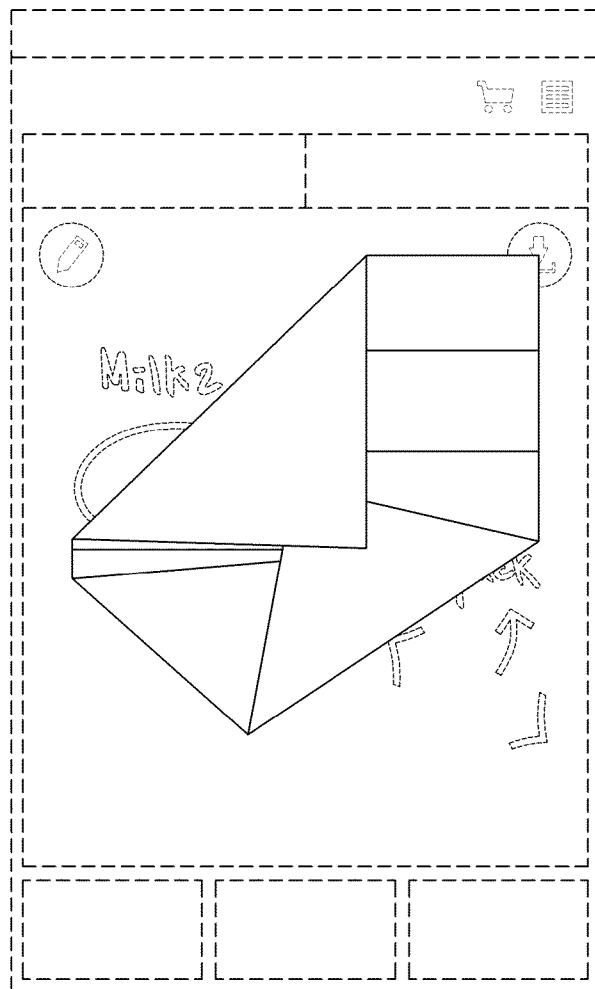


FIG. 5

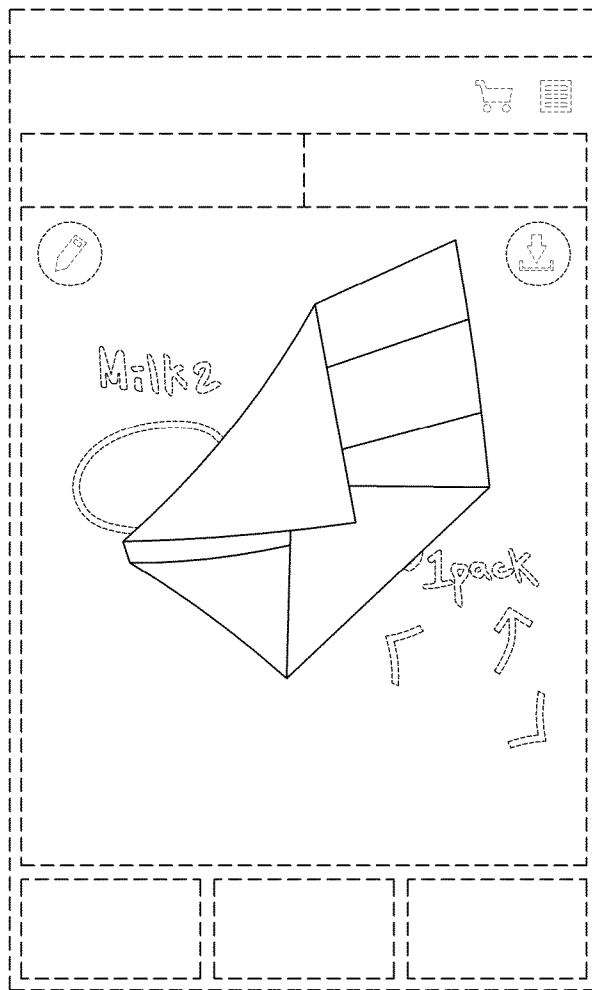


FIG. 6

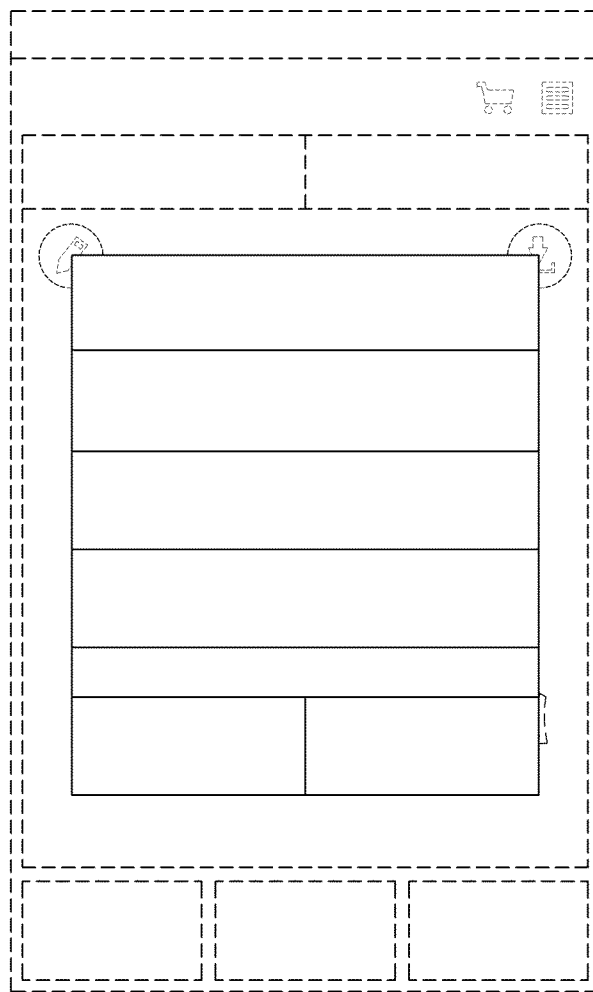


FIG. 7

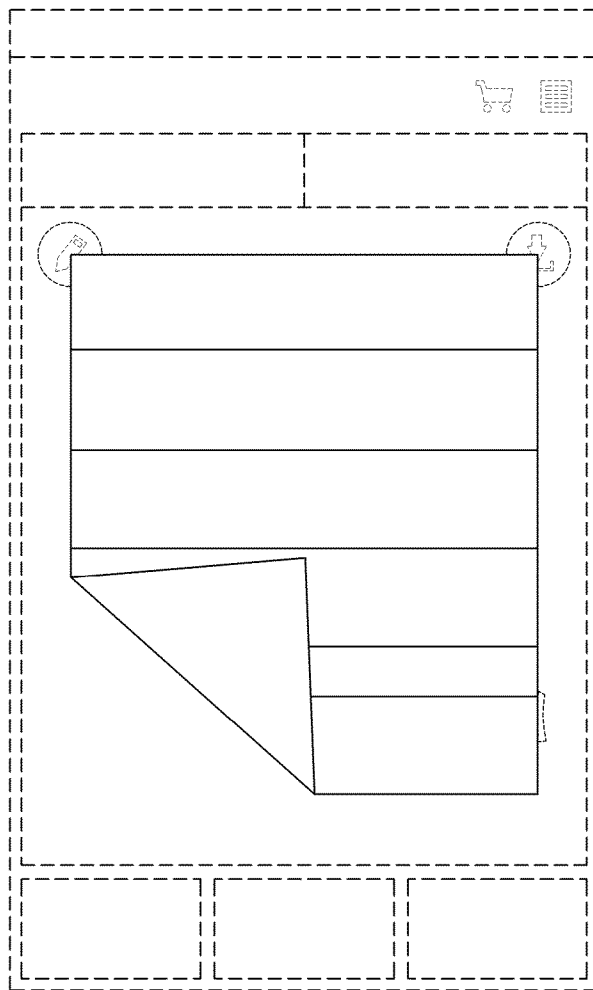


FIG. 8

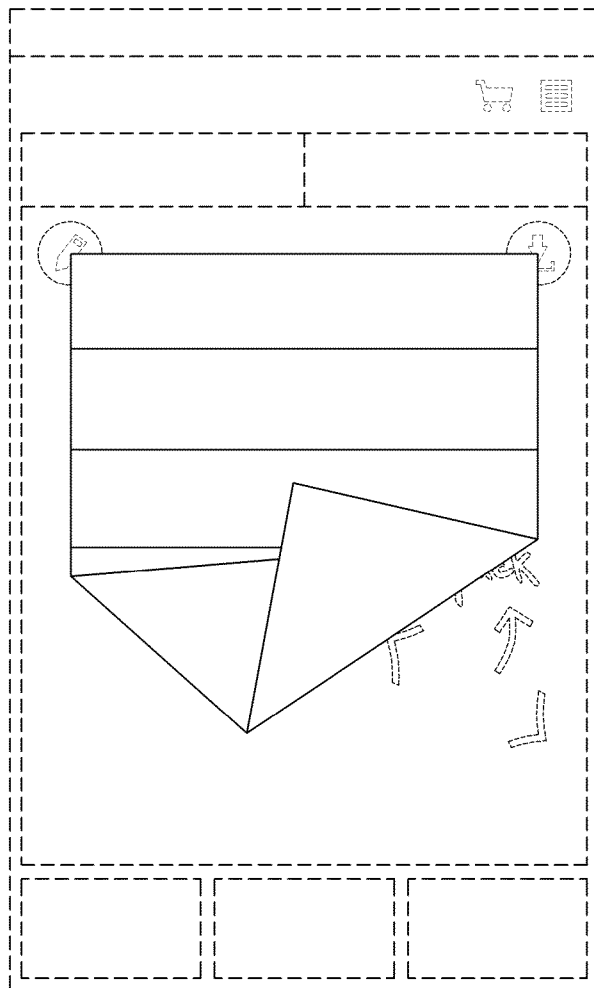


FIG. 9

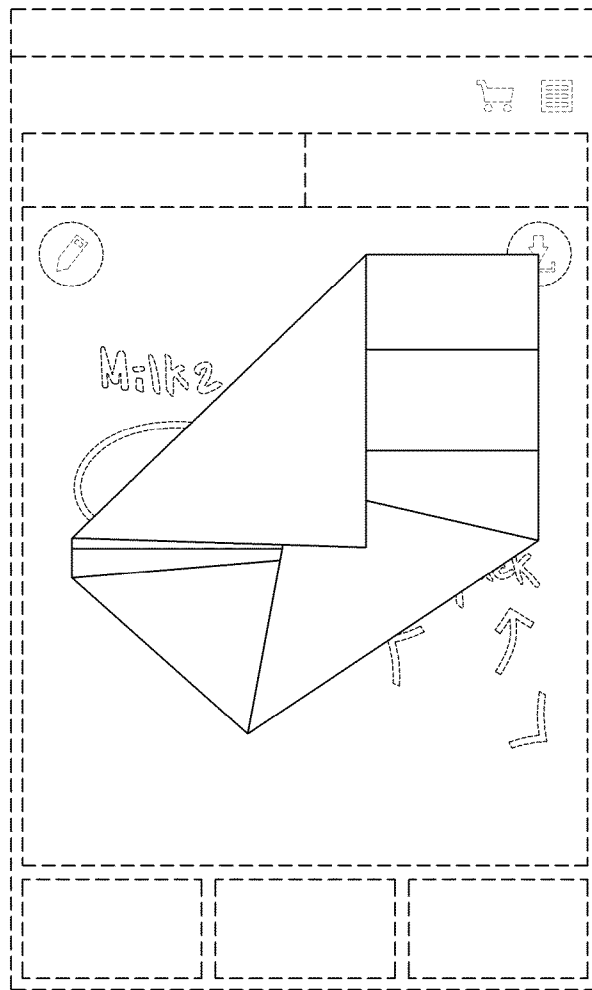


FIG. 10

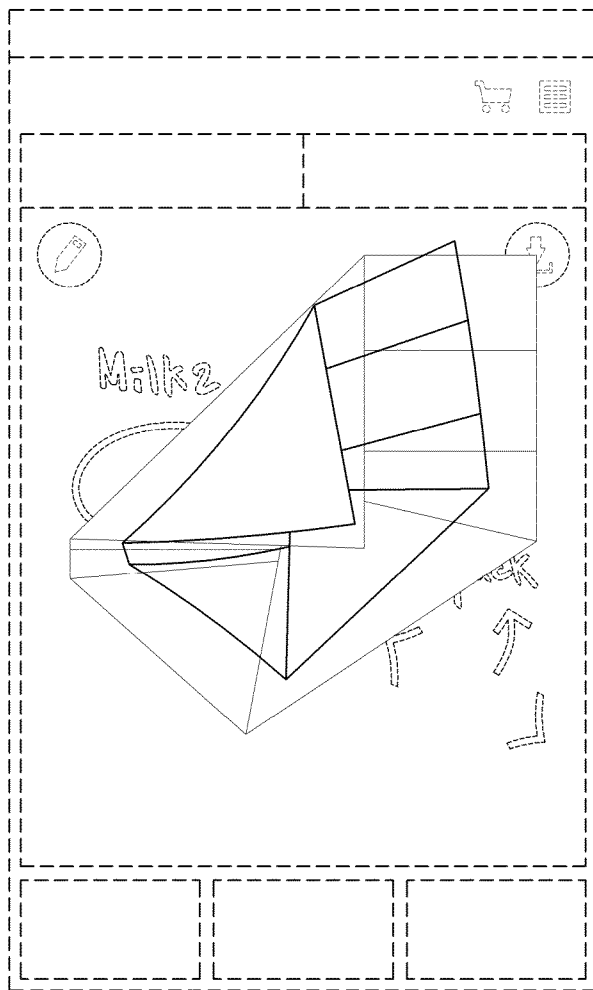


FIG. 11

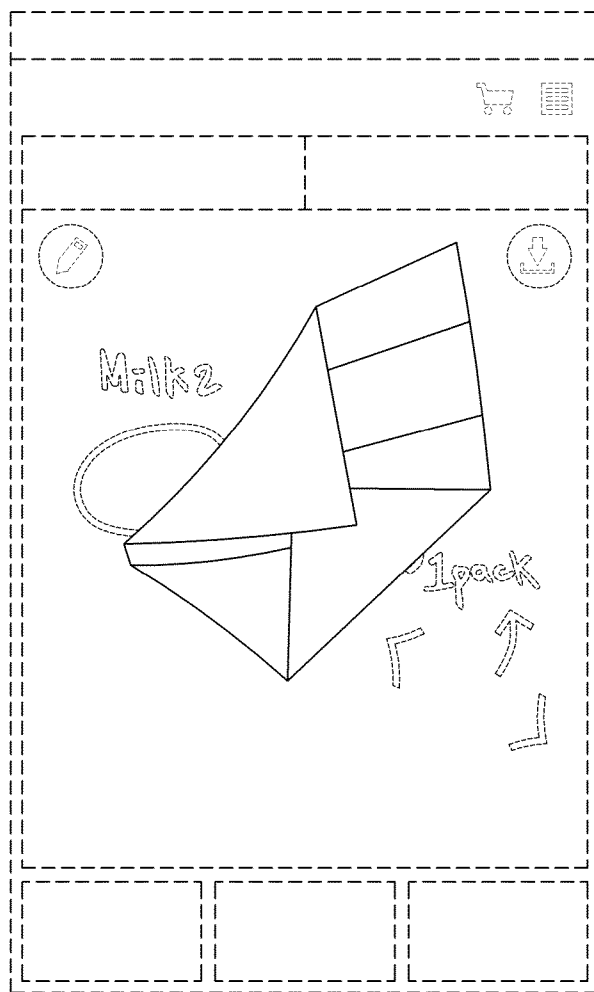


FIG. 12

