



US00D923736S

(12) **United States Design Patent**
Zamperla

(10) **Patent No.:** **US D923,736 S**

(45) **Date of Patent:** **** Jun. 29, 2021**

- (54) **AMUSEMENT RIDE**
- (71) Applicant: **ANTONIO ZAMPERLA S.p.A.**,
Altavilla Vicentina (IT)
- (72) Inventor: **Alberto Zamperla**, Altavilla Vicentina
(IT)
- (73) Assignee: **ANTONIO ZAMPERLA S.P.A.**,
Altavilla Vicentina Vi (IT)
- (**) Term: **15 Years**
- (21) Appl. No.: **29/690,638**
- (22) Filed: **May 9, 2019**

Foreign Application Priority Data

Nov. 12, 2018 (EM) 005822491-0001

(51) **LOC (13) Cl.** **21-03**

(52) **U.S. Cl.**
USPC **D21/828**

(58) **Field of Classification Search**
USPC D21/828-833, 811, 814
CPC A63G 21/00-22; A63G 27/00; A63G 1/00;
A63G 1/24-38; A63G 1/08; A63G 1/12;
A63G 3/00; A63G 9/00-08; A63G 27/02;
A63G 27/04; A63G 27/06; A63G 27/08;
A47C 31/11

See application file for complete search history.

(56) **References Cited**

U.S. PATENT DOCUMENTS

- 853,155 A * 5/1907 Boardman A63G 27/02
472/46
- 862,365 A * 8/1907 Winnett A63G 27/02
472/30
- 862,366 A * 8/1907 Winnett A63G 27/02
472/30

- 900,820 A * 10/1908 Becker A63G 27/02
472/46
- 946,639 A * 1/1910 Lewis A63G 27/02
472/30
- D69,335 S * 1/1926 Tunley D21/530
- 1,867,996 A * 7/1932 Baer A63G 27/00
472/3
- 2,294,166 A * 8/1942 Eyerly A63G 27/02
472/1
- 2,384,237 A * 9/1945 Clark A63G 27/02
472/30
- 2,397,857 A * 4/1946 Hall A63G 27/04
472/30
- 2,423,283 A * 7/1947 Austin A63G 27/02
472/16
- 2,432,709 A * 12/1947 Austin A63G 27/02
472/44
- D158,746 S * 5/1950 Hickman D20/29
- D159,220 S * 7/1950 Nemiroff D21/530
- D174,295 S * 3/1955 Sneed D21/830
- 2,728,574 A * 12/1955 Lyles A63G 1/00
472/40
- 2,828,128 A * 3/1958 Castille A63G 27/02
472/30

(Continued)

Primary Examiner — Mitchell I. Siegel
(74) *Attorney, Agent, or Firm* — Lucas & Mercanti, LLP

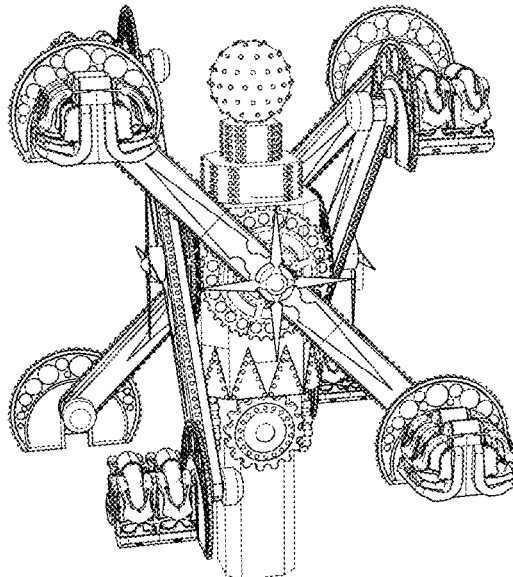
(57) **CLAIM**

The ornamental design for the amusement ride, as shown and described.

DESCRIPTION

FIG. 1 is a front perspective view of the amusement ride according to the design, all other sides having an identical view;
FIG. 2 is a top front perspective view thereof;
FIG. 3 is a top plan view thereof; and,
FIG. 4 is an elevational view thereof; the undisclosed sides are identical.

1 Claim, 4 Drawing Sheets



(56)

References Cited

U.S. PATENT DOCUMENTS

2,864,614	A *	12/1958	Castille	A63G 27/00	D332,186	S *	1/1993	Bellaflares	D21/829
				472/30	D379,777	S *	6/1997	Segan	D11/121
2,934,341	A *	4/1960	Shepherd	A63G 27/02	6,037,679	A *	3/2000	Pirillo	H05B 47/185
				472/44					307/125
D199,744	S *	12/1964	McDonald	D21/530	D572,317	S *	7/2008	Lam	D21/530
D205,366	S *	7/1966	Lakin	D21/530	D587,777	S *	3/2009	Chu	D21/829
3,294,398	A *	12/1966	Buechler	A63G 27/02	D696,372	S *	12/2013	Martin	D21/830
				472/30	D731,019	S *	6/2015	Fabbri	D21/830
3,471,143	A *	10/1969	Lakin	A63H 13/20	D731,020	S *	6/2015	Fabbri	D21/830
				472/7	D731,021	S *	6/2015	Fabbri	D21/830
D225,880	S *	1/1973	Spiegel	D21/530	D733,826	S *	7/2015	Fabbri	D21/830
D285,592	S *	9/1986	Kushner	D21/493	D769,999	S *	10/2016	Serventi	D21/830
4,815,728	A *	3/1989	O'Keefe	A63G 27/00	D770,000	S *	10/2016	Serventi	D21/830
				472/3	D788,248	S *	5/2017	Fabbri	D21/830
D303,692	S *	9/1989	Jones	D21/530	D800,862	S *	10/2017	Easler	D21/829
4,878,869	A *	11/1989	Yamane	A63H 13/20	D867,510	S *	11/2019	Boifava	D21/830
				446/130	D886,224	S *	6/2020	Martin	D21/830
D331,430	S *	12/1992	Nolan	D21/412	D886,932	S *	6/2020	Srihari	D21/830
					D902,326	S *	11/2020	Kamiyama	D21/530
					2006/0035715	A1 *	2/2006	Threlkel	A63G 27/04
									472/47

* cited by examiner

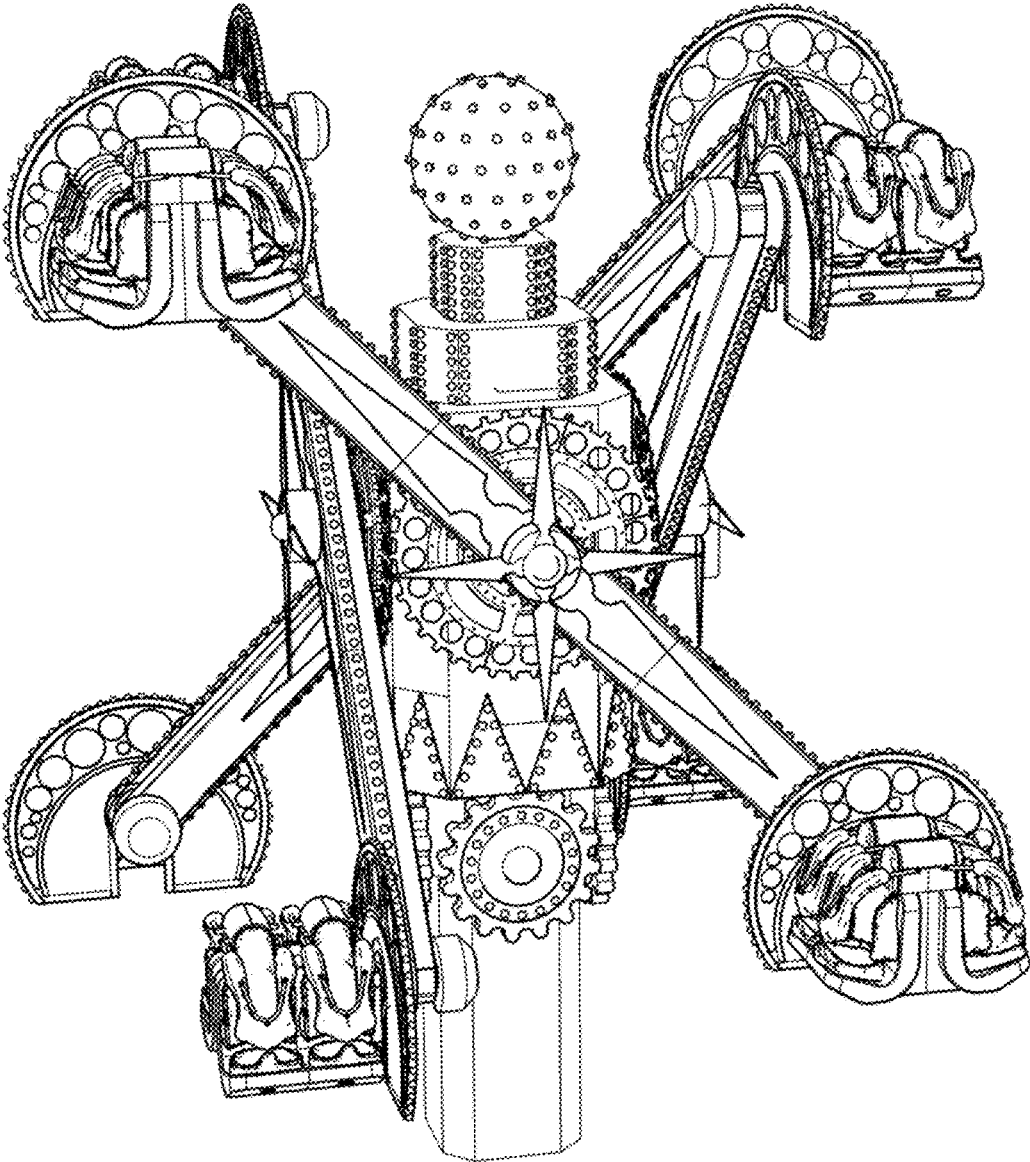


FIG. 1

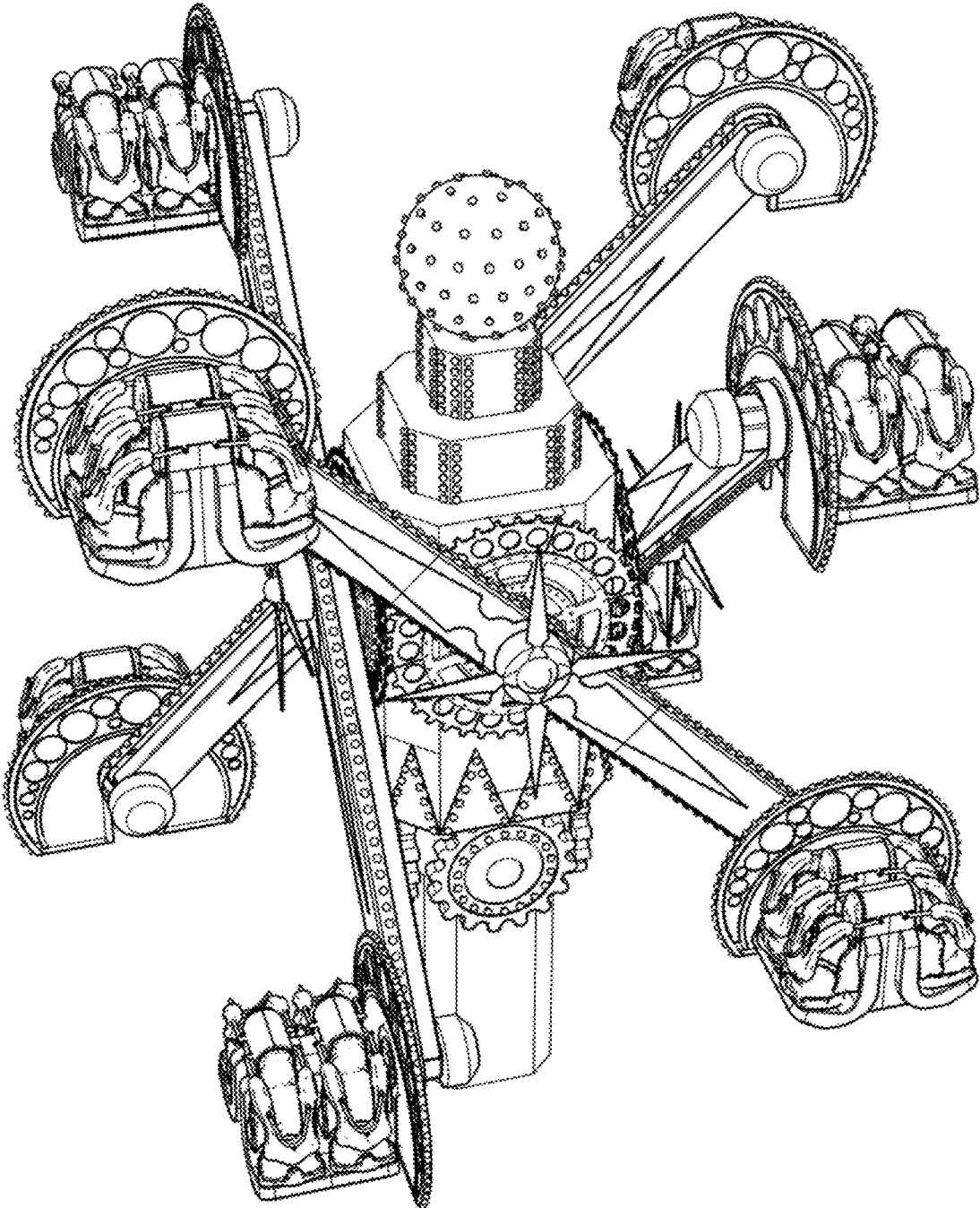


FIG. 2

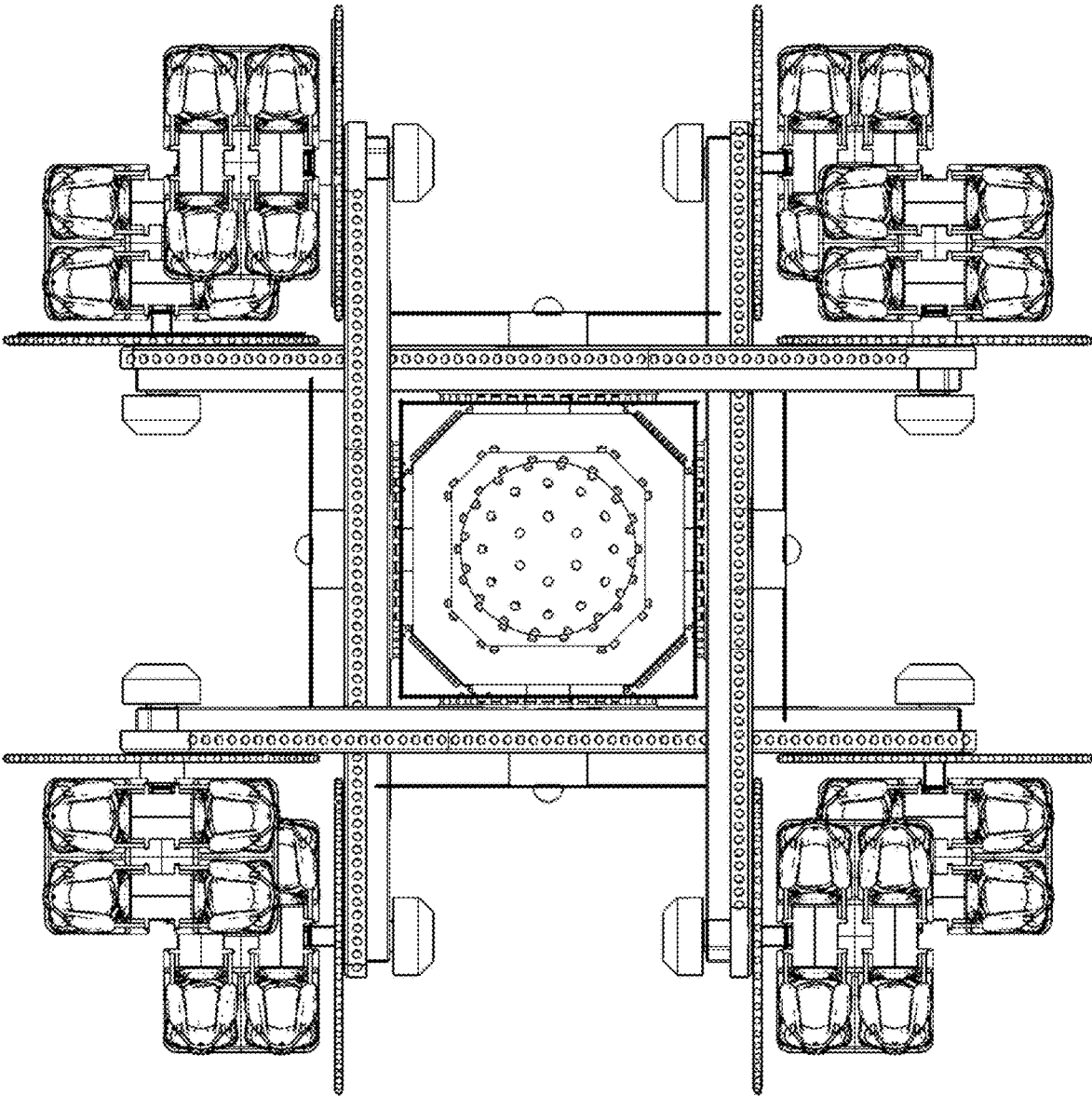


FIG. 3

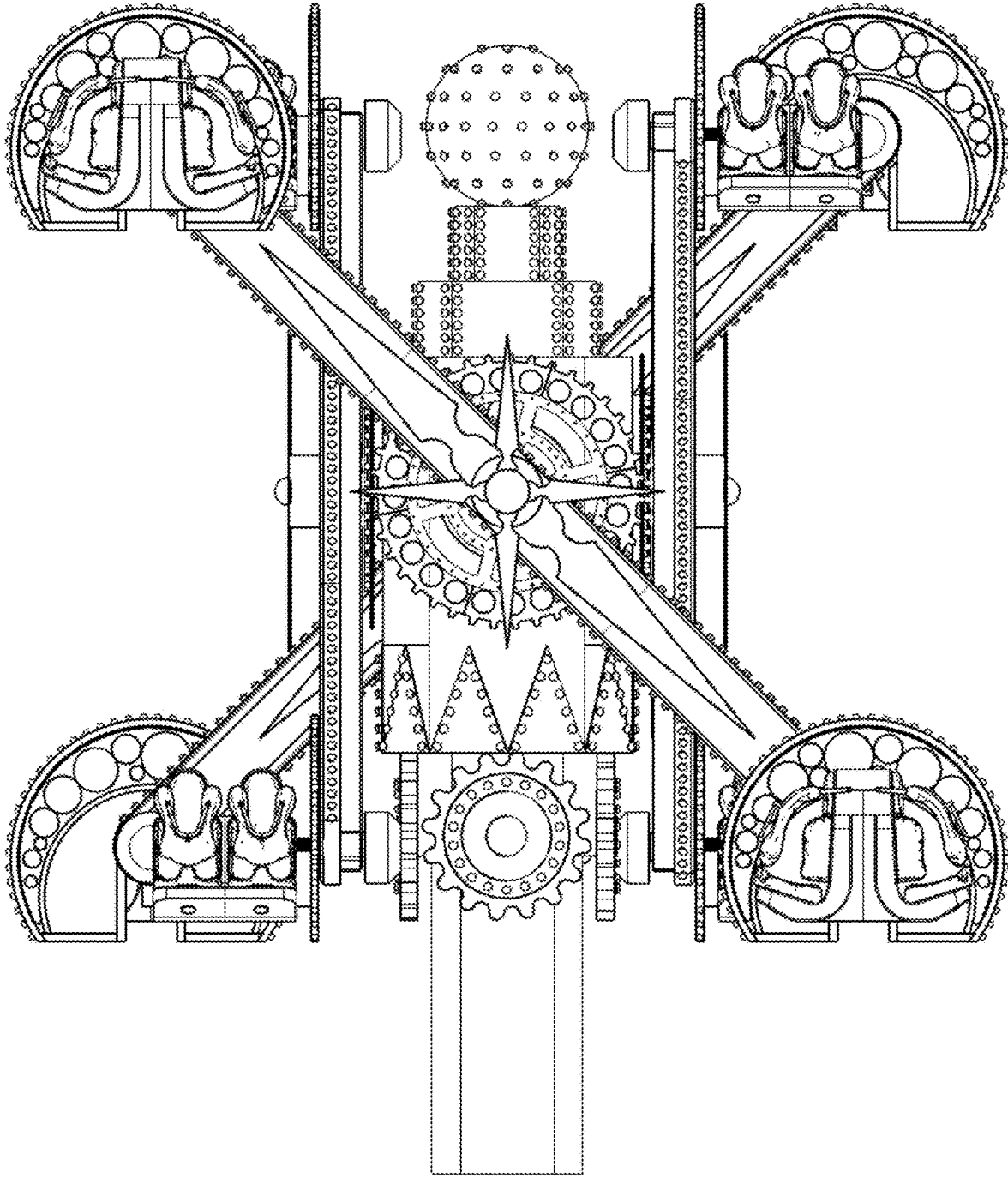


FIG. 4