



US00D748843S

(12) **United States Design Patent**
Thompson et al.

(10) **Patent No.:** **US D748,843 S**

(45) **Date of Patent:** **** Feb. 2, 2016**

(54) **STEP TOP FLAMELESS WAX CANDLE**

(71) Applicant: **Luminara Worldwide, LLC**, Eden Prairie, MN (US)

(72) Inventors: **Jeffrey Thompson**, Huntington Beach, CA (US); **Douglas Patton**, Irvine, CA (US); **James LaBelle**, Orange, CA (US)

(73) Assignee: **Luminara Worldwide, LLC**, Eden Prairie, MN (US)

(**) Term: **14 Years**

(21) Appl. No.: **29/496,539**

(22) Filed: **Jul. 14, 2014**

(51) **LOC (10) Cl.** **26-03**

(52) **U.S. Cl.**

USPC **D26/96**

(58) **Field of Classification Search**

USPC D26/4, 5, 6, 7, 9, 96
CPC F21S 6/00; F21S 6/001; F21S 10/04; F21S 10/10; F21S 10/043; F21S 8/08; F21S 48/115; F21V 21/00; F21V 35/00; F21W 2121/00; C11C 5/002; C11C 5/004
See application file for complete search history.

(56) **References Cited**

U.S. PATENT DOCUMENTS

3,424,540 A * 1/1969 Swedenberg C11C 5/004 431/126
D397,459 S * 8/1998 Hsu D26/6
D406,379 S * 3/1999 Andrews D26/96
5,927,964 A * 7/1999 Fawcett C11C 5/002 431/126

D481,142 S * 10/2003 Leeds D26/6
D488,582 S * 4/2004 Connelly D26/96
D569,541 S * 5/2008 Shiu D26/96
7,387,411 B1 * 6/2008 Tsai F21S 6/001 362/392
D669,615 S * 10/2012 Delcotto D26/6
D706,963 S * 6/2014 Thompson D26/4
8,789,986 B2 * 7/2014 Li F21S 6/001 362/393
D739,573 S * 9/2015 Li D26/4

* cited by examiner

Primary Examiner — Brian N Vinson

(74) *Attorney, Agent, or Firm* — Fish & Tsang LLP

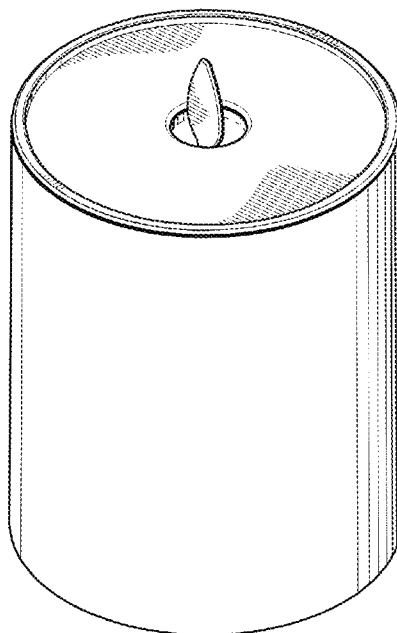
(57) **CLAIM**

The ornamental design for a step top flameless wax candle, as shown and described.

DESCRIPTION

FIG. 1 is a top and front perspective view of a step top flameless wax candle showing our new design; FIG. 2 is a front elevational view thereof; FIG. 3 is a rear elevational view thereof; FIG. 4 is a left side elevational view thereof, the right side being a mirror image of that shown; FIG. 5 is a top plan view thereof; and, FIG. 6 is a bottom plan view thereof. The broken-line disclosure in FIGS. 1 and 5 represents portions of the candle which form no part of the claimed design, and the broken-line disclosure in FIG. 6 represents an unclaimed boundary between the claimed design, shown in unbroken lines and provided with surface shading, and the unclaimed portions of the candle.

1 Claim, 2 Drawing Sheets



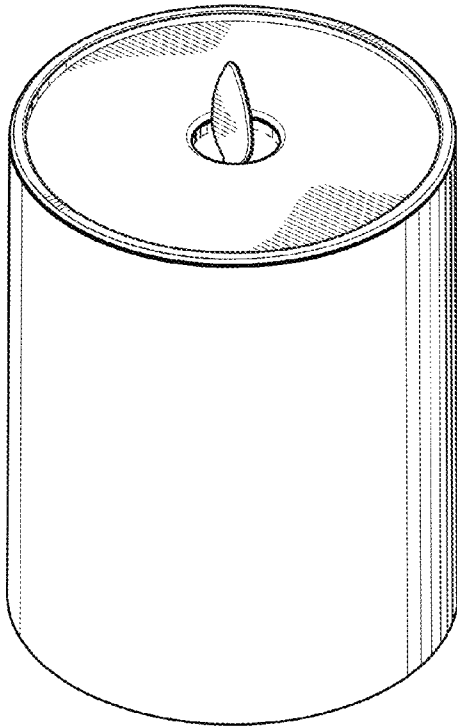


FIG. 1

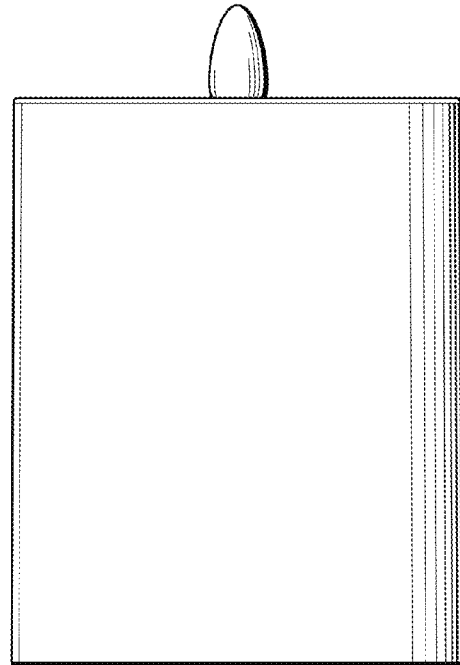


FIG. 2

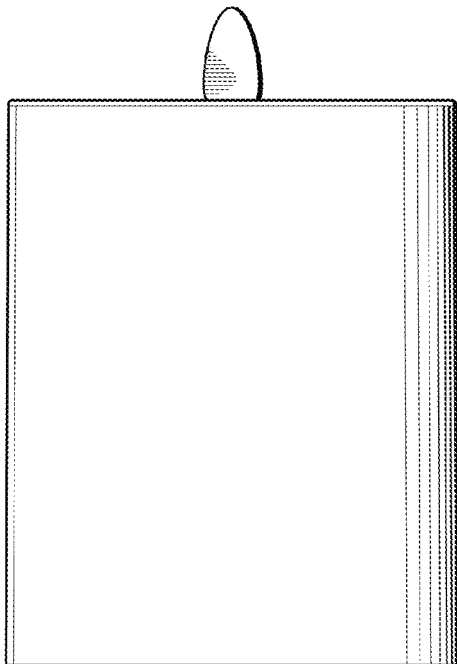


FIG. 3

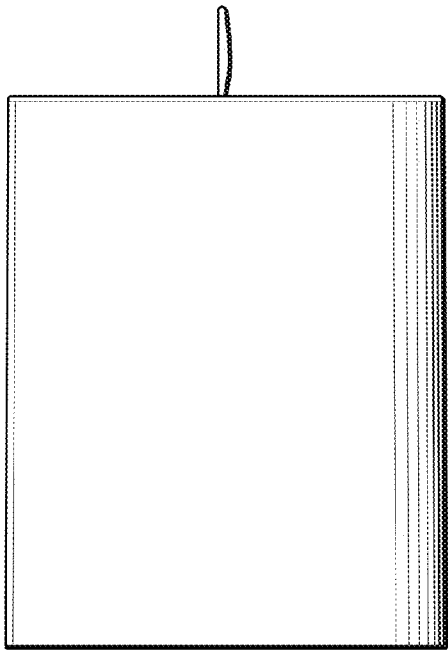


FIG. 4

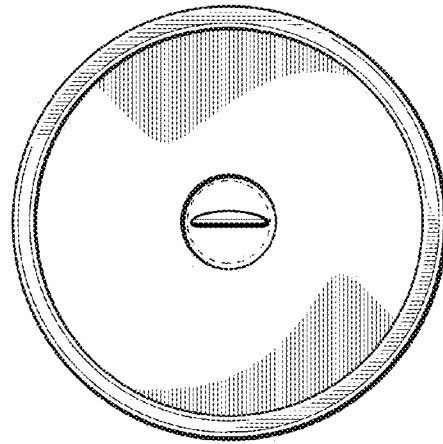


FIG. 5

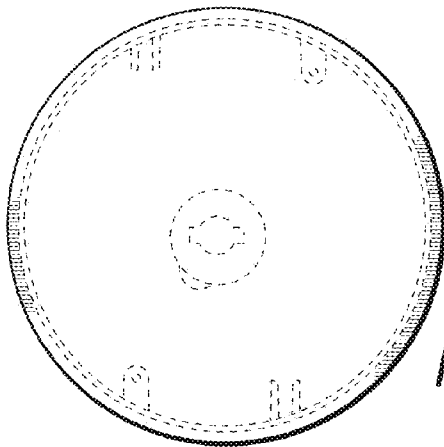


FIG. 6