

United States Patent [19]
Castel

[11] **Patent Number: Des. 295,232**

[45] **Date of Patent: ** Apr. 19, 1988**

- [54] **TRAY FOR SPOOLS**
[75] **Inventor: Lawrence Castel, Stamford, Conn.**
[73] **Assignee: Coats & Clark, Inc., Yorktown Heights, N.Y.**
[**] **Term: 14 Years**
[21] **Appl. No.: 772,324**
[22] **Filed: Sep. 4, 1985**
[52] **U.S. Cl. D3/24; D6/408**
[58] **Field of Search D6/408, 449, 515, 476, D6/467; D3/23, 24, 25; 211/59.2, 74, 13; 223/106**

- D. 277,154 1/1985 Nasgowitz D6/408
1,389,973 9/1921 O'Connor 211/59.2
3,545,176 12/1970 Wheelock 211/13 X

Primary Examiner—Carmen H. Vales
Attorney, Agent, or Firm—Burgess, Ryan & Wayne

[57] **CLAIM**

The ornamental design for a tray for spools, substantially as shown and described.

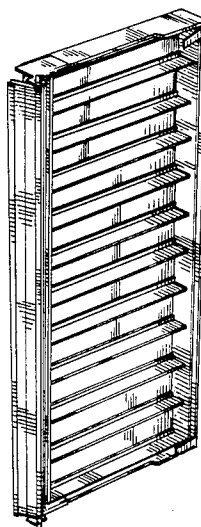
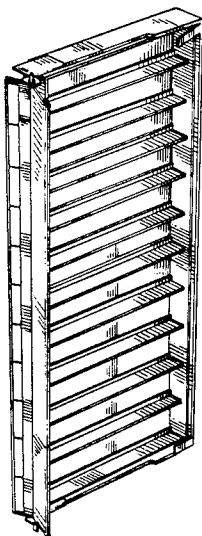
DESCRIPTION

FIG. 1 is a perspective view of a tray for spools showing my new design;
FIG. 2 is a front elevational view thereof;
FIG. 3 is a rear elevational view thereof;
FIG. 4 is a left side elevational view thereof;
FIG. 5 is a right side elevational view thereof;
FIG. 6 is a top plan view thereof;
FIG. 7 is a bottom plan view thereof; and
FIG. 8 is a perspective view with the front indicator panel in open position.

[56] **References Cited**

U.S. PATENT DOCUMENTS

- D. 19,086 5/1889 Wilson D3/24
D. 165,797 1/1952 Shanahan D6/476 X
D. 191,082 8/1961 Tigner D6/408
D. 275,058 8/1984 Flum D6/467



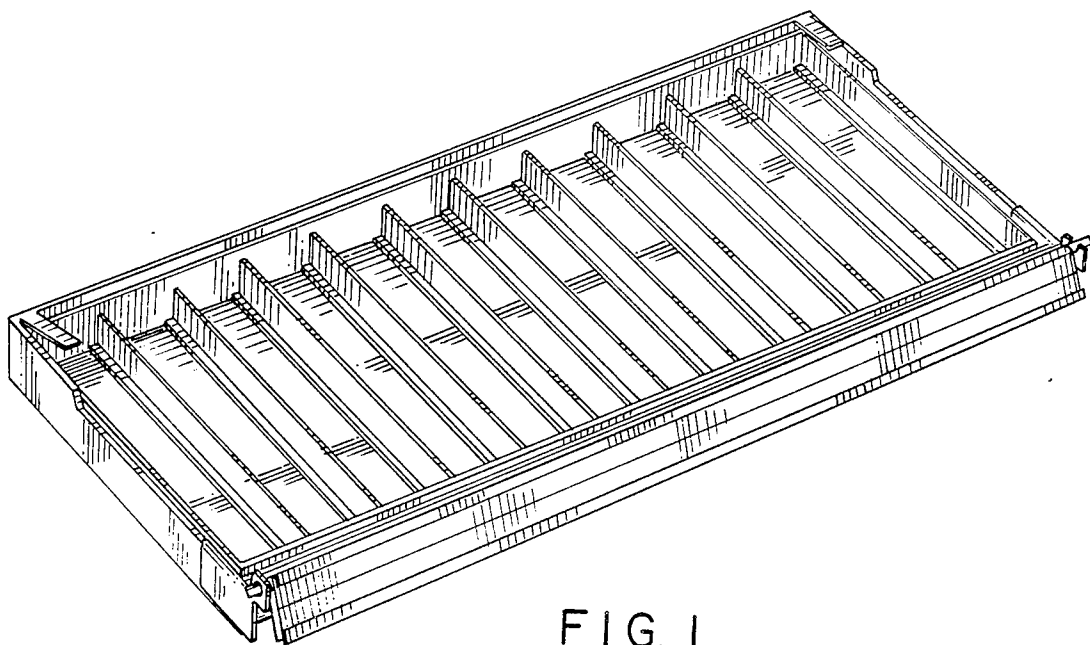


FIG. 1

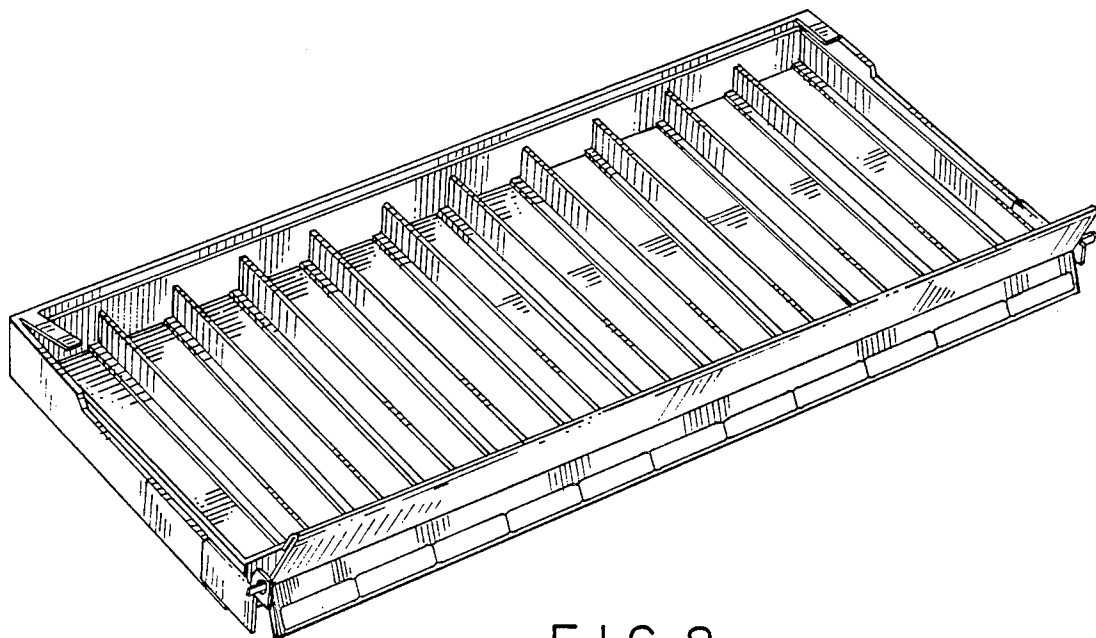


FIG. 8

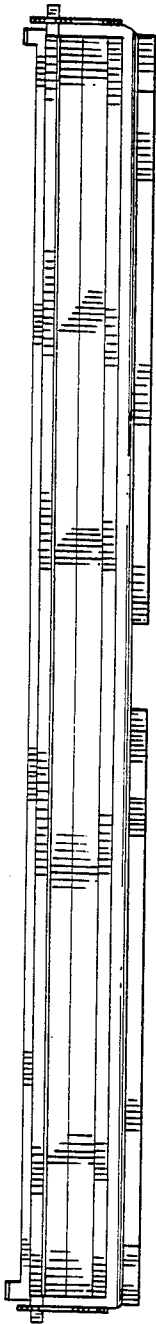


FIG. 2

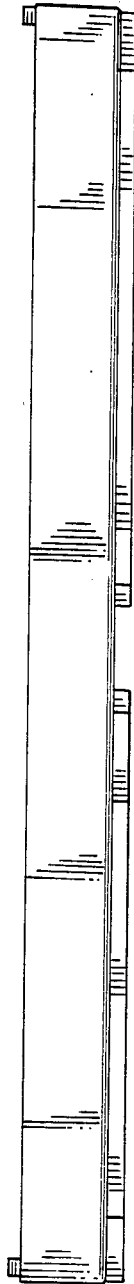


FIG. 3



FIG. 4

FIG. 5

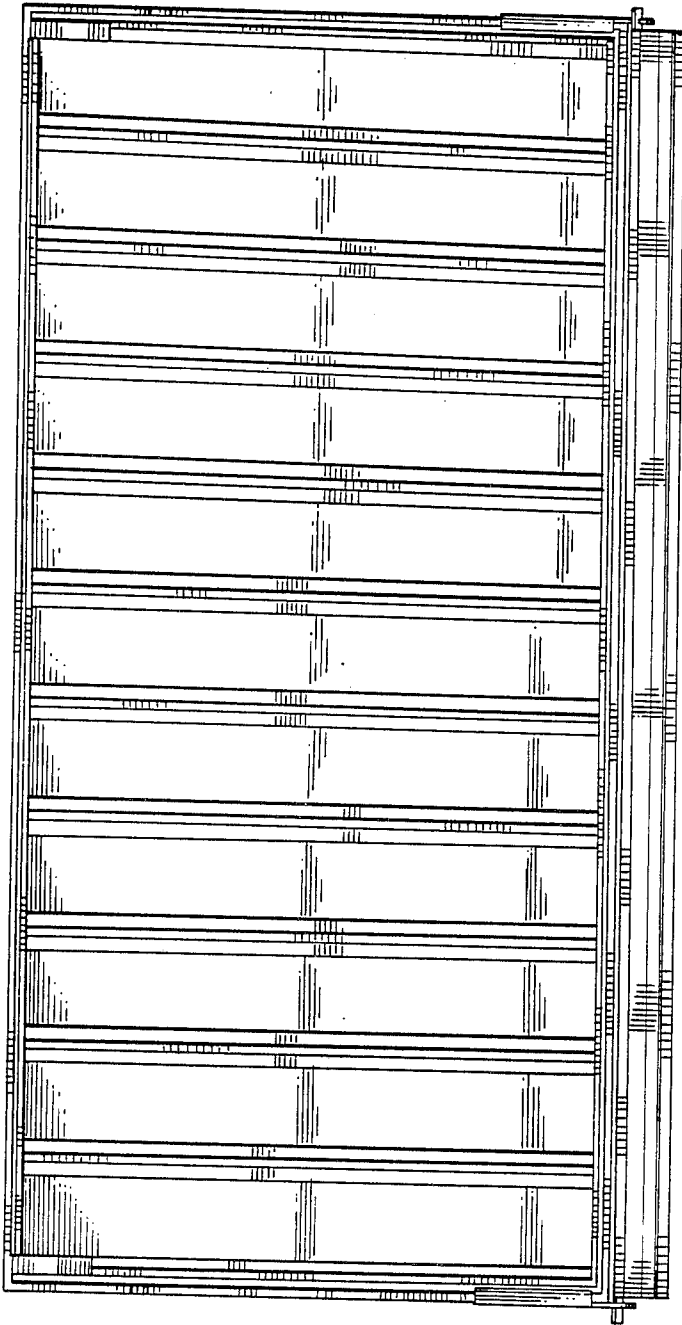


FIG. 6

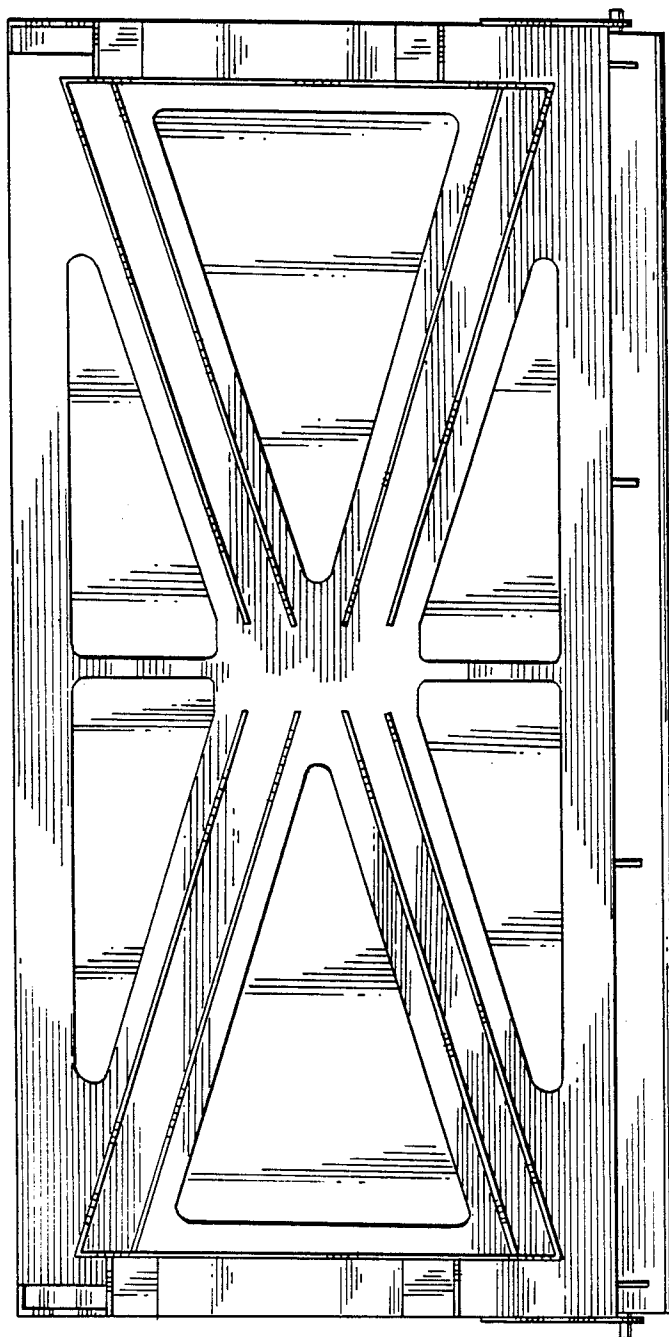


FIG. 7