



US00D598331S

(12) **United States Design Patent**  
**Tongish et al.**

(10) **Patent No.:** **US D598,331 S**

(45) **Date of Patent:** **\*\* Aug. 18, 2009**

(54) **TRICYCLE**

(75) Inventors: **Sabrina Tongish**, Chicago, IL (US);  
**Timothy Seckel**, Streamwood, IL (US)

(73) Assignee: **Radio Flyer, Inc.**, Chicago, IL (US)

(\*\*) Term: **14 Years**

(21) Appl. No.: **29/317,939**

(22) Filed: **May 9, 2008**

(51) **LOC (9) Cl.** ..... **12-11**

(52) **U.S. Cl.** ..... **D12/112**

(58) **Field of Classification Search** ..... D12/112,  
D12/113; 280/278, 282, 287, 281.1, 288.1-288.3,  
280/62, 263, 270, 271, 202, 259, 211; D21/432,  
D21/435, 423; 446/440

See application file for complete search history.

(56) **References Cited**

**U.S. PATENT DOCUMENTS**

- D355,870 S \* 2/1995 Dieudonne ..... D12/112
- D402,596 S \* 12/1998 Liu ..... D12/113
- D494,509 S \* 8/2004 Chiappetta et al. .... D12/112

\* cited by examiner

*Primary Examiner*—Cathron C Brooks

*Assistant Examiner*—Linda Brooks

(74) *Attorney, Agent, or Firm*—DLA Piper LLP (US); R. Blake Johnston, Esq.

(57) **CLAIM**

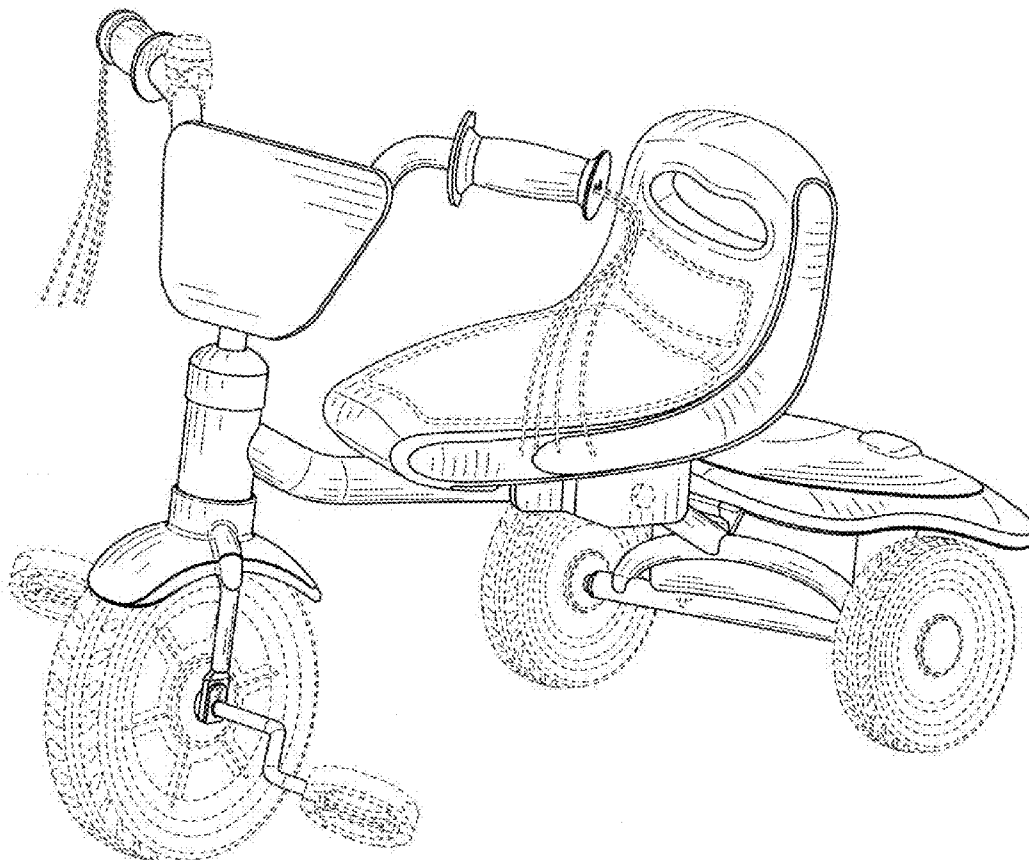
The ornamental design for a tricycle, as shown and described.

**DESCRIPTION**

- FIG. 1 is a perspective view of the tricycle;
- FIG. 2 is a front elevational view of the tricycle;
- FIG. 3 is a rear elevational view of the tricycle;
- FIG. 4 is a left side elevational view of the tricycle;
- FIG. 5 is a right side elevational view of the tricycle;
- FIG. 6 is a top plan view of the tricycle; and,
- FIG. 7 is a bottom plan view of the tricycle.

The portions of the tricycle that are shown in broken lines form no part of the claimed design.

**1 Claim, 7 Drawing Sheets**



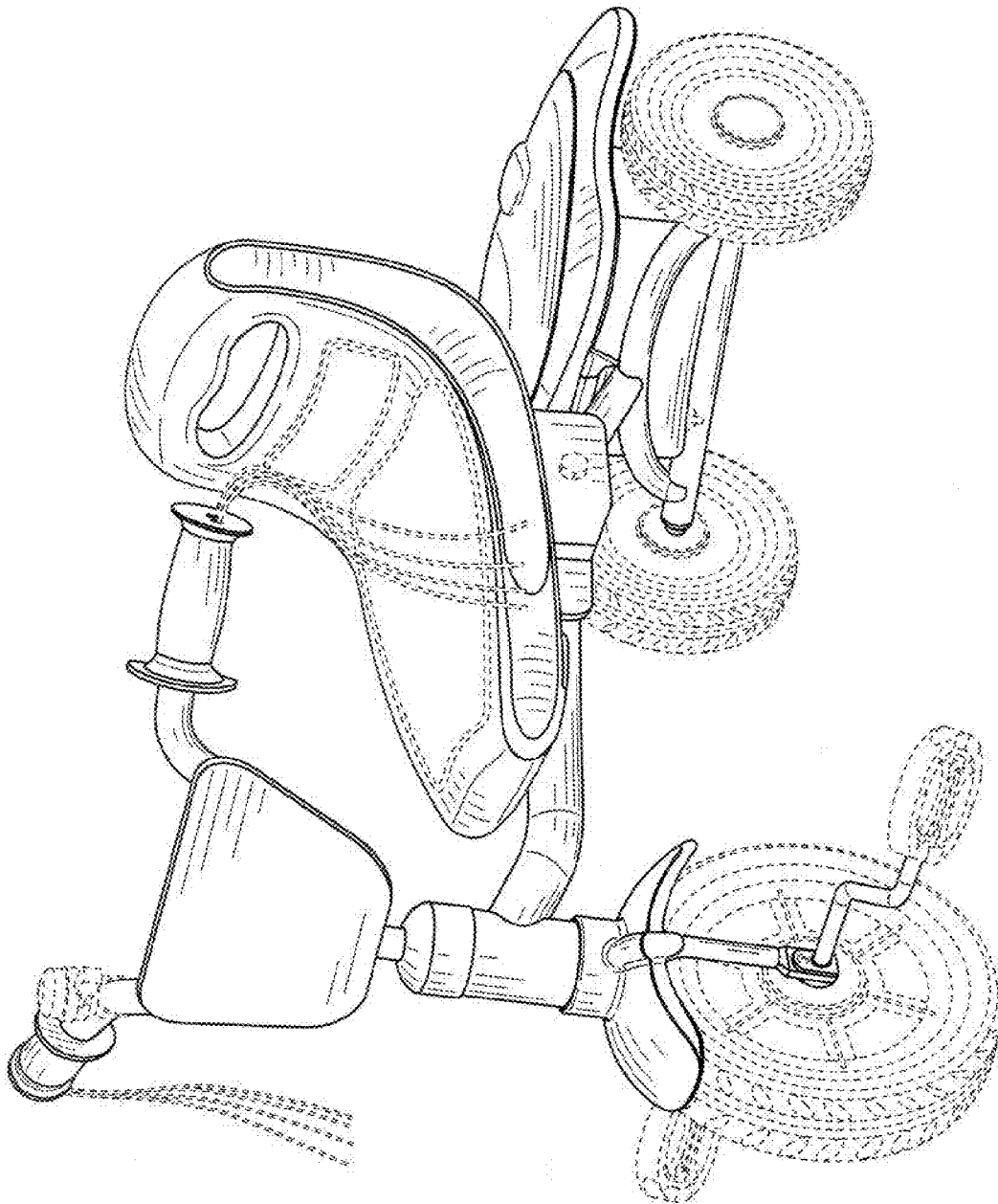


FIG. 1

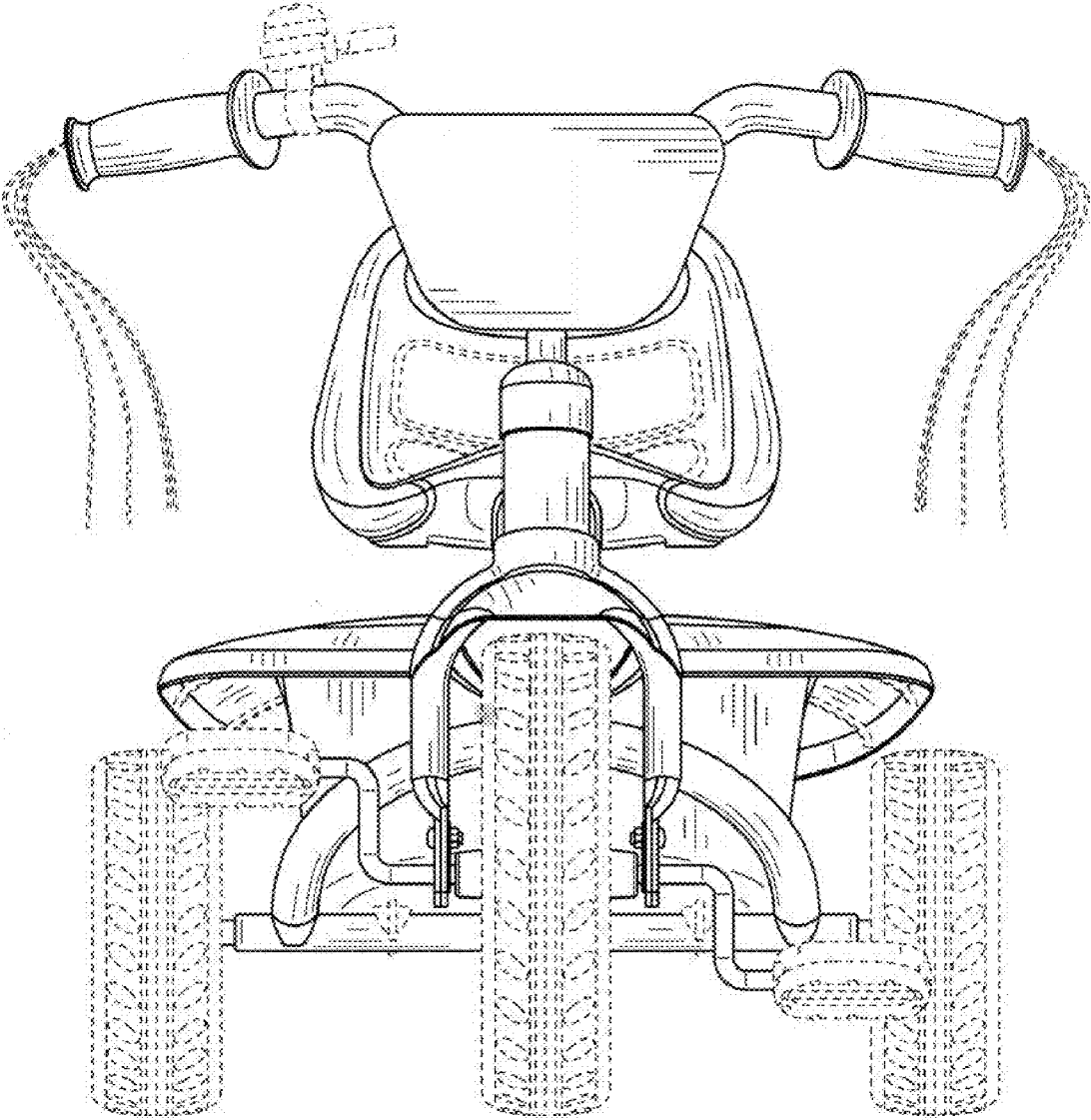


FIG. 2

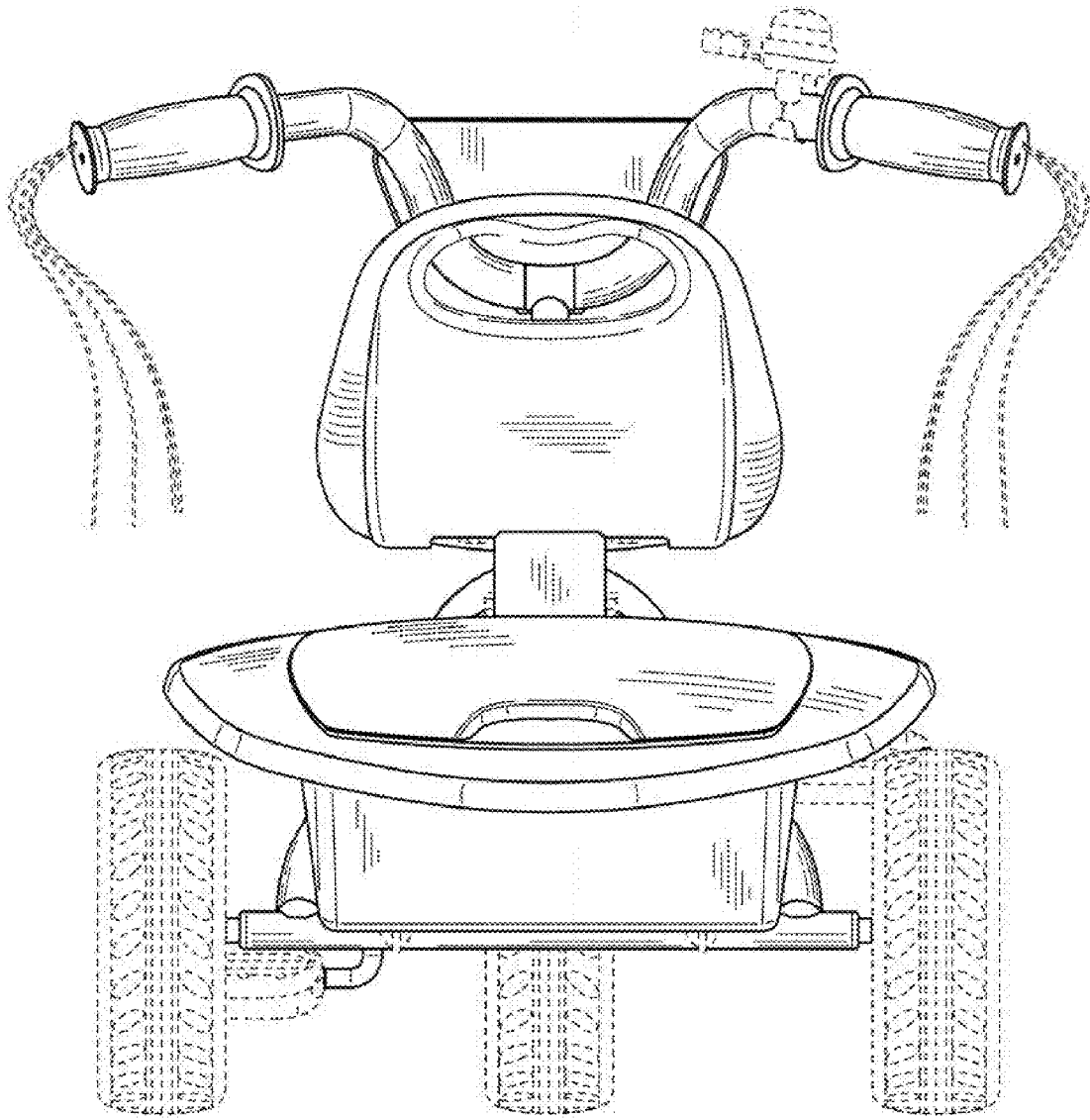


FIG. 3

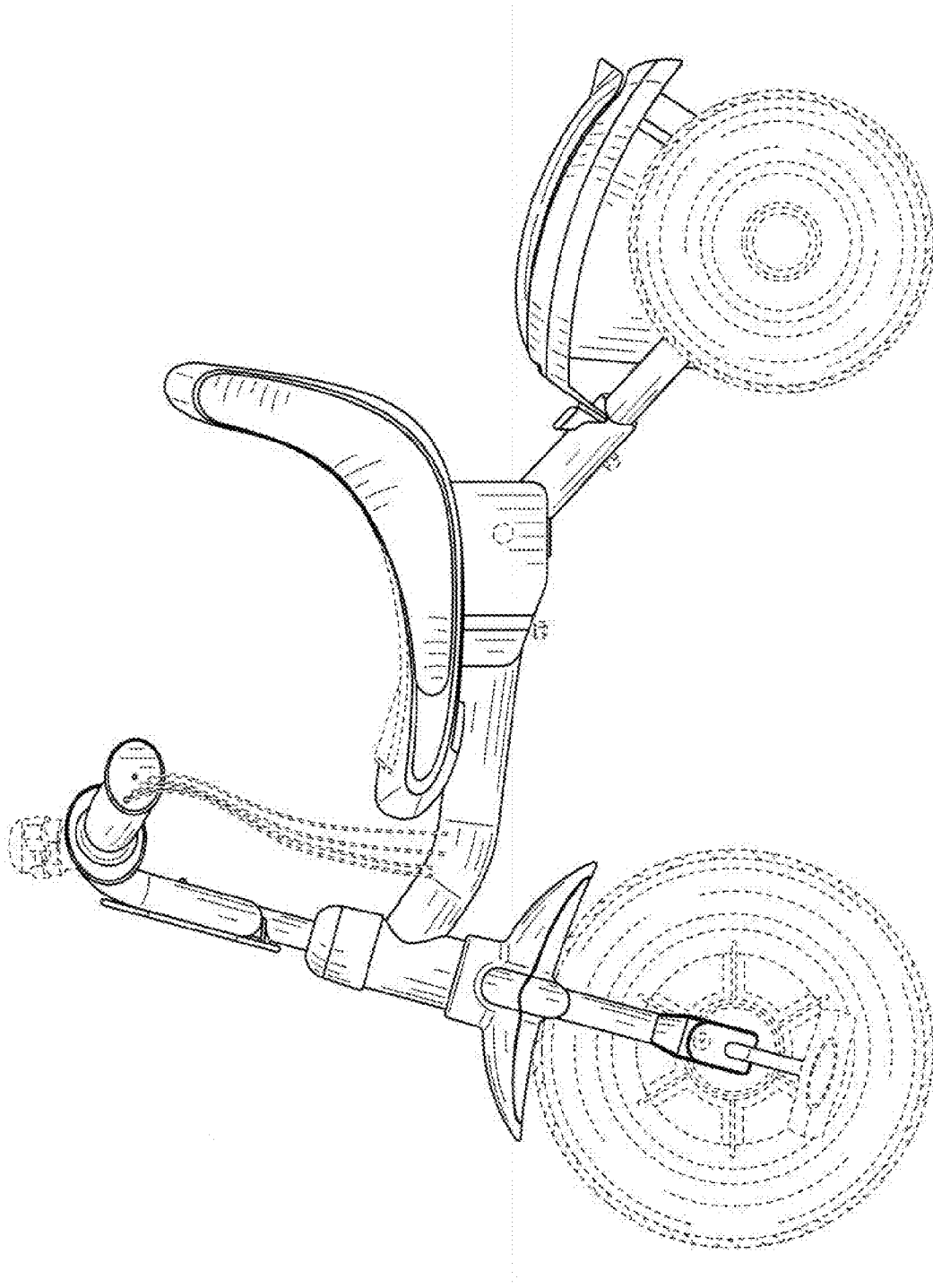


FIG. 4

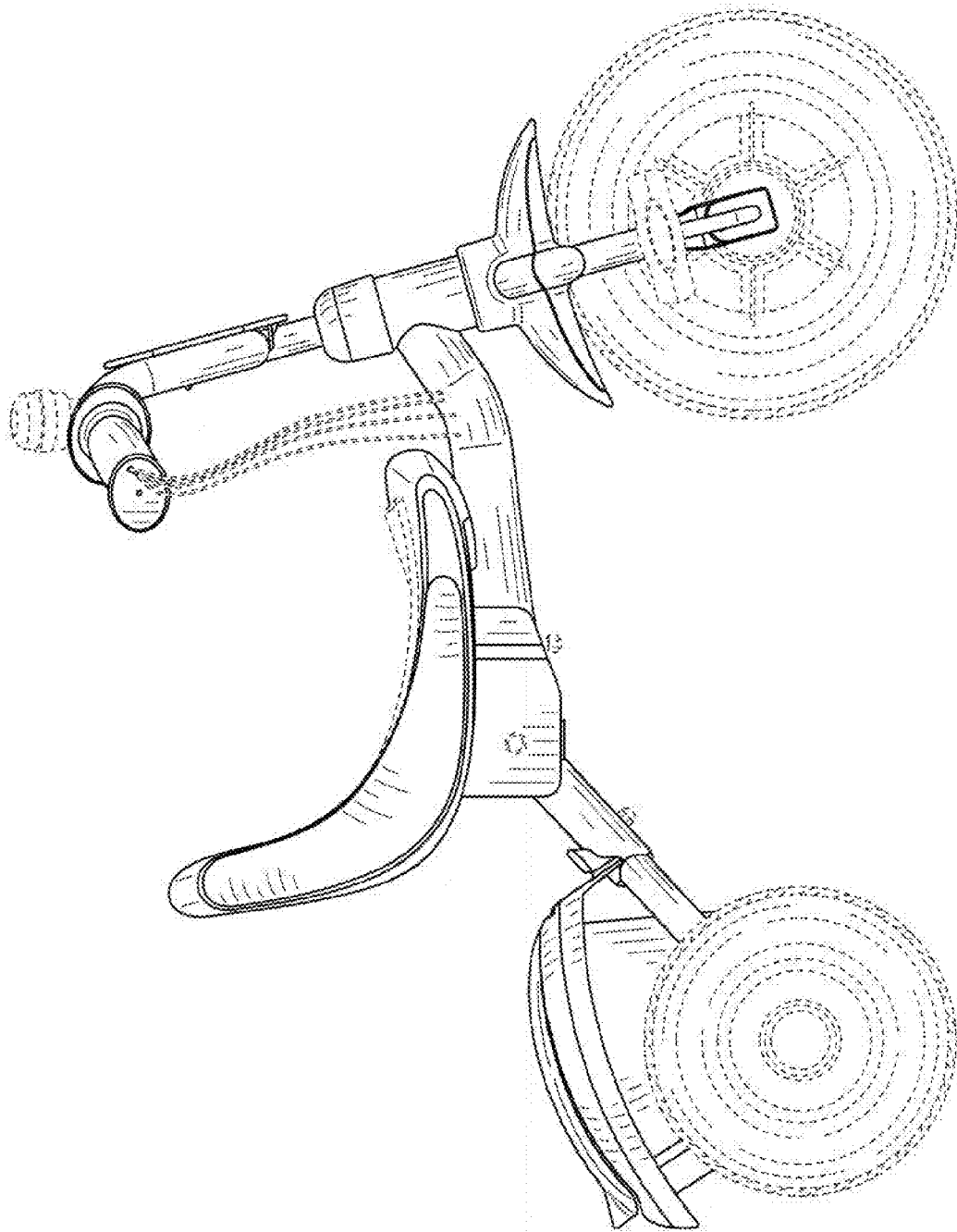


FIG. 5

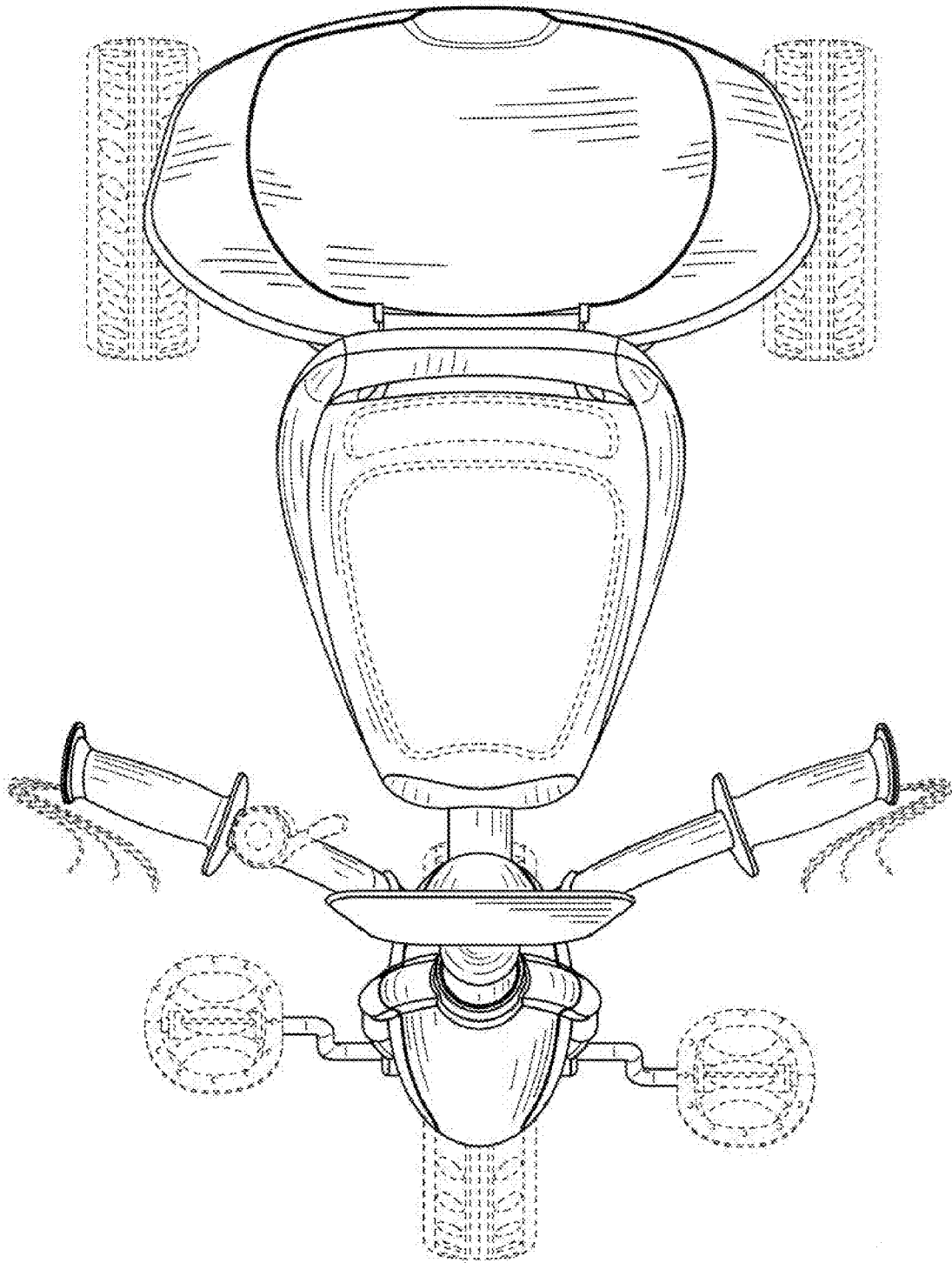


FIG. 6

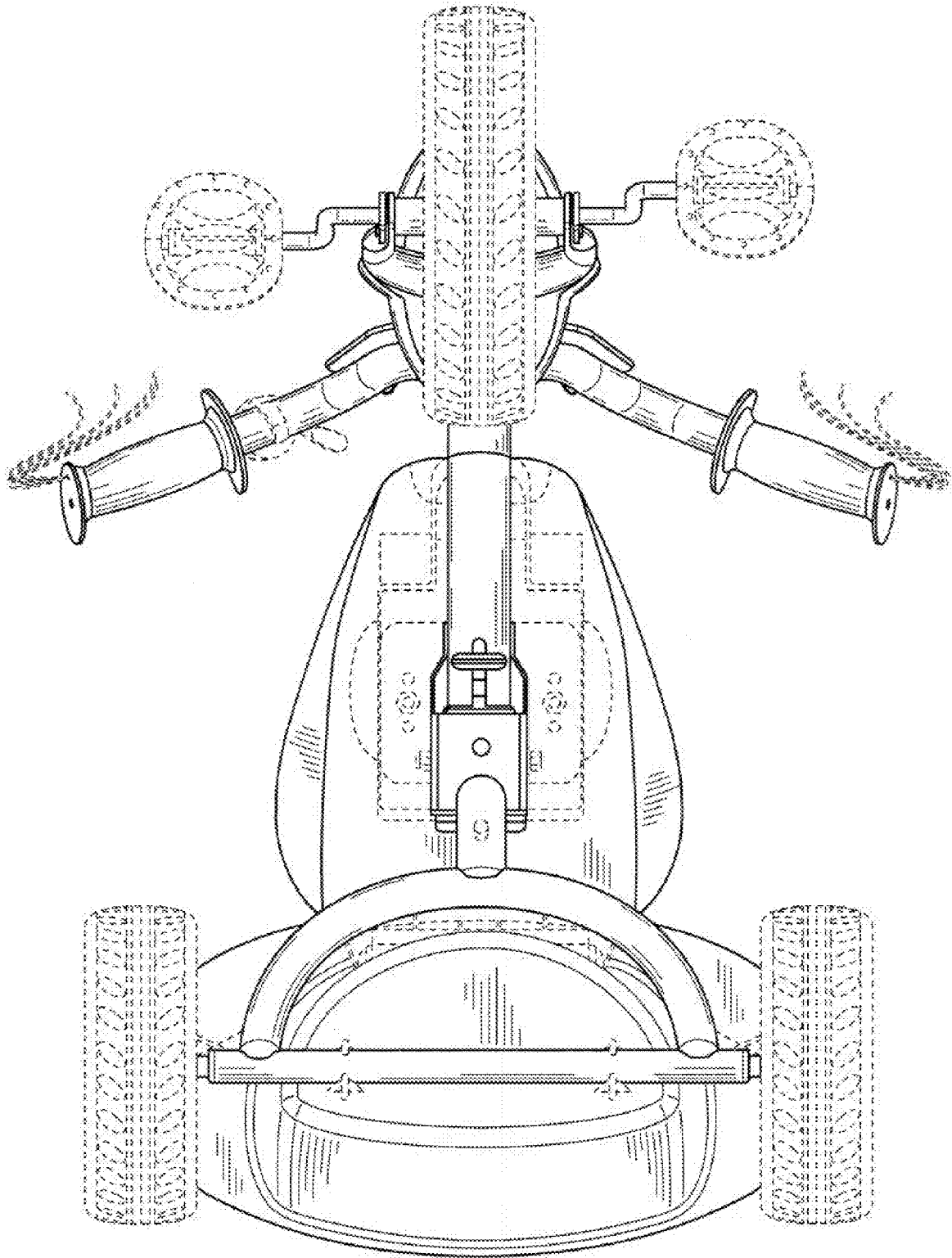


FIG. 7