



US0D1079693S

(12) **United States Design Patent**  
**Keizer**

(10) **Patent No.:** **US D1,079,693 S**

(45) **Date of Patent:** **\*\* Jun. 17, 2025**

(54) **DATA PROCESSING UNIT**

FOREIGN PATENT DOCUMENTS

(71) Applicant: **SITA B.V.**, Rotterdam (NL)

EM 000284039-0001 4/2005  
EM 002548677-0001 10/2014

(72) Inventor: **Mathieu Eduard Keizer**, Rotterdam (NL)

(Continued)

(73) Assignee: **SITA B.V.**, The Hague (NL)

OTHER PUBLICATIONS

(\*\*) Term: **15 Years**

Star Alliance biometrics platform goes live in Hamburg Airport, first available Apr. 2022, futuretravelexperience.com, [online], [site visited Jun. 12, 2024], Available from internet URL: <https://www.futuretravelexperience.com/2022/04/star-alliance-biometrics-platform-goes-live-in-hamburg-airport/> (Year: 2022).\*

(21) Appl. No.: **29/868,710**

(Continued)

(22) Filed: **Dec. 12, 2022**

(30) **Foreign Application Priority Data**

*Primary Examiner* — Justin M Jonaitis

Jun. 13, 2022 (EM) ..... 009060056-0008

*Assistant Examiner* — Holly M Rodriguez

(51) **LOC (15) Cl.** ..... **14-02**

(74) *Attorney, Agent, or Firm* — Bradley Arant Boult Cummings LLP; Adam J. Thompson, Esq.; Daniel E. Sineway, Esq.

(52) **U.S. Cl.**

USPC ..... **D14/356**

(58) **Field of Classification Search**

USPC ..... D14/388, 393, 399, 391, 455, 496, 247, D14/125–126, 204–216; D16/237; D18/4.4

CPC ..... B41J 5/00; B41J 5/10; B41J 5/12; F16M 11/10; G06F 3/0219; G06F 1/1632; G06F 3/02; G03B 17/00; G03B 17/02; G03B 17/30; G03B 2217/268; H04R 1/02; H04R 1/021; H04R 1/025; H04R 1/026; H04R 1/028; H04R 1/06; H04R 1/105; H04R 1/323; H04R 1/403; H04R 1/2803; H04R 1/2834

See application file for complete search history.

(57)

**CLAIM**

The ornamental design for a data processing unit as shown and described.

**DESCRIPTION**

FIG. 1 is a top front perspective view of a data processing unit.

FIG. 2 is a top back perspective view thereof.

FIG. 3 is a back left bottom perspective view thereof.

FIG. 4 is a back right bottom perspective view thereof.

FIG. 5 is a back bottom perspective view thereof.

FIG. 6 is a front view thereof.

FIG. 7 is a back view thereof.

FIG. 8 is a top view of thereof.

FIG. 9 is a bottom view thereof.

FIG. 10 is a left view thereof; and,

FIG. 11 is a right view thereof.

The broken lines shown in the drawings illustrate portions of the data processing unit that form no part of the claimed design.

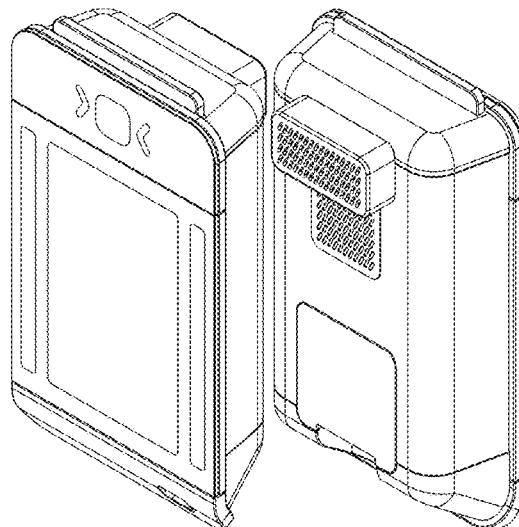
(56) **References Cited**

U.S. PATENT DOCUMENTS

D609,727 S \* 2/2010 Adolfsson ..... D16/203  
D844,607 S \* 4/2019 Fredette ..... D18/4.6

(Continued)

**1 Claim, 11 Drawing Sheets**



(56)

**References Cited**

U.S. PATENT DOCUMENTS

D880,580	S *	4/2020	Wang	.....	D18/4.6
D907,097	S *	1/2021	Suurmeijer	.....	D16/206
D940,232	S *	1/2022	Kangasmaa	.....	D18/4.1
11,373,159	B2 *	6/2022	Nieuwborg	.....	G06K 7/1417
D969,129	S *	11/2022	Kayama	.....	D14/356
D1,011,336	S *	1/2024	Oles	.....	D18/4.1
D1,024,987	S *	4/2024	Deng	.....	D14/125

FOREIGN PATENT DOCUMENTS

EM	002548677-0002	10/2014
EM	003119908-0001	5/2016
EM	003119908-0002	5/2016
EM	003507565-0001	1/2017
EM	003507565-0002	1/2017
EM	003507565-0003	1/2017
EM	003507565-0004	1/2017
EM	003507565-0005	1/2017
EM	003507565-0006	1/2017
EM	004009363-0001	6/2017
EM	004009363-0002	6/2017
EM	005910783-0001	2/2019

EM	005910783-0002	2/2019
EM	005910783-0003	2/2019
EM	005910783-0004	2/2019
EM	005910783-0005	2/2019
EM	005941887-0001	2/2019
EM	005941887-0002	2/2019
EM	007216221-0001	11/2019
EM	007216247-0001	11/2019
EM	007216734-0001	11/2019
EM	007216742-0001	11/2019
EP	4244119 A1	11/2021
EP	4285335 A1	1/2022
GB	2600982 A	11/2021
GB	2612090 A	4/2023

OTHER PUBLICATIONS

Complex Biometric Travel Ecosystems Require an Experienced Hand, first available Mar. 7, 2024, [airportindustry-news.com](https://airportindustry-news.com), [online], [site visited Sep. 4, 2024], Available from internet URL: <https://airportindustry-news.com/complex-biometric-travel-ecosystems-require-an-experienced-hand/> (Year: 2024).\*

\* cited by examiner

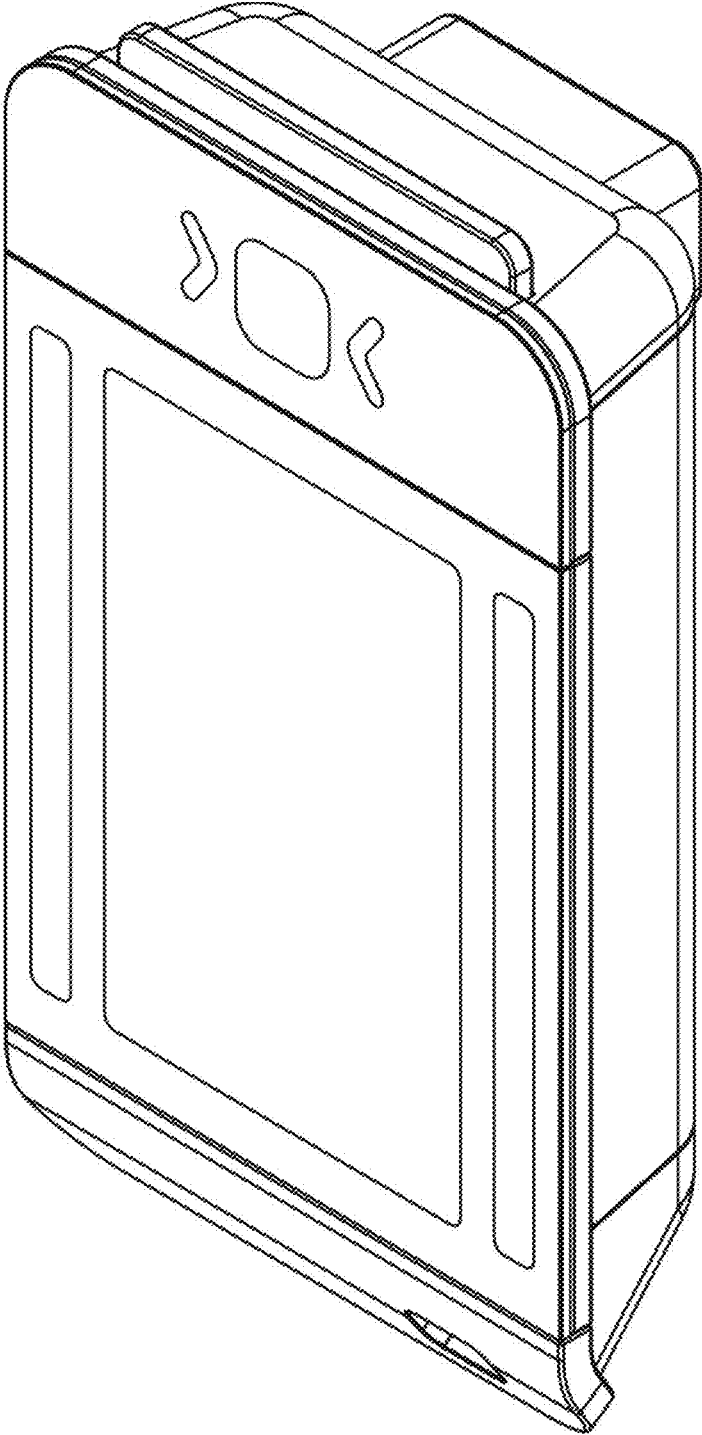


FIG. 1

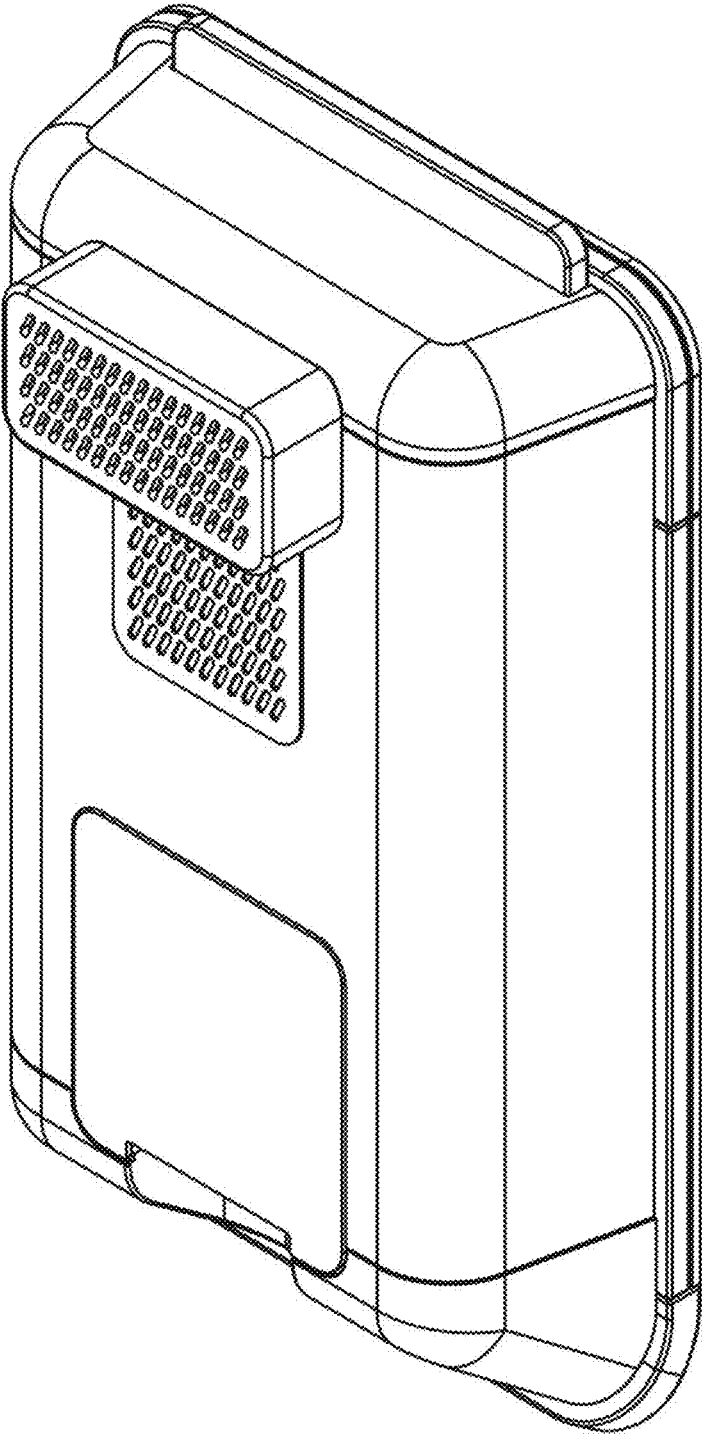


FIG. 2

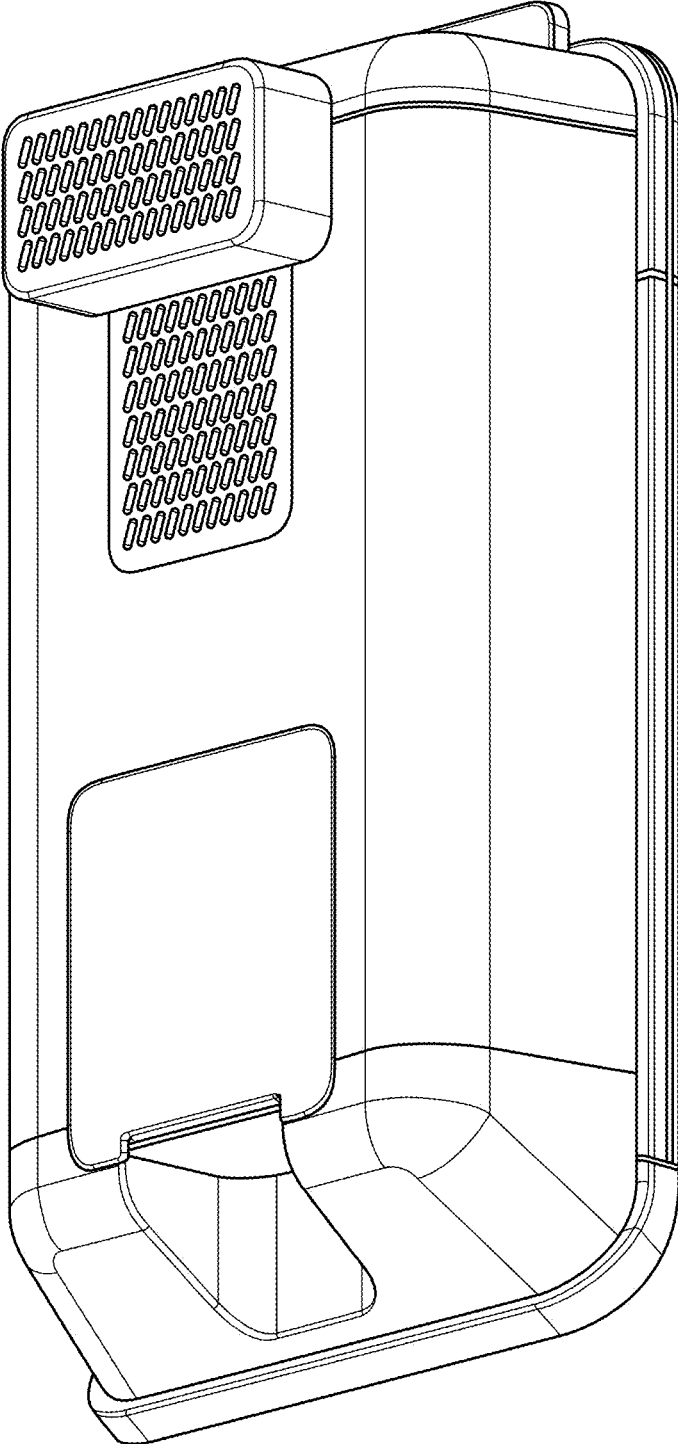


FIG. 3

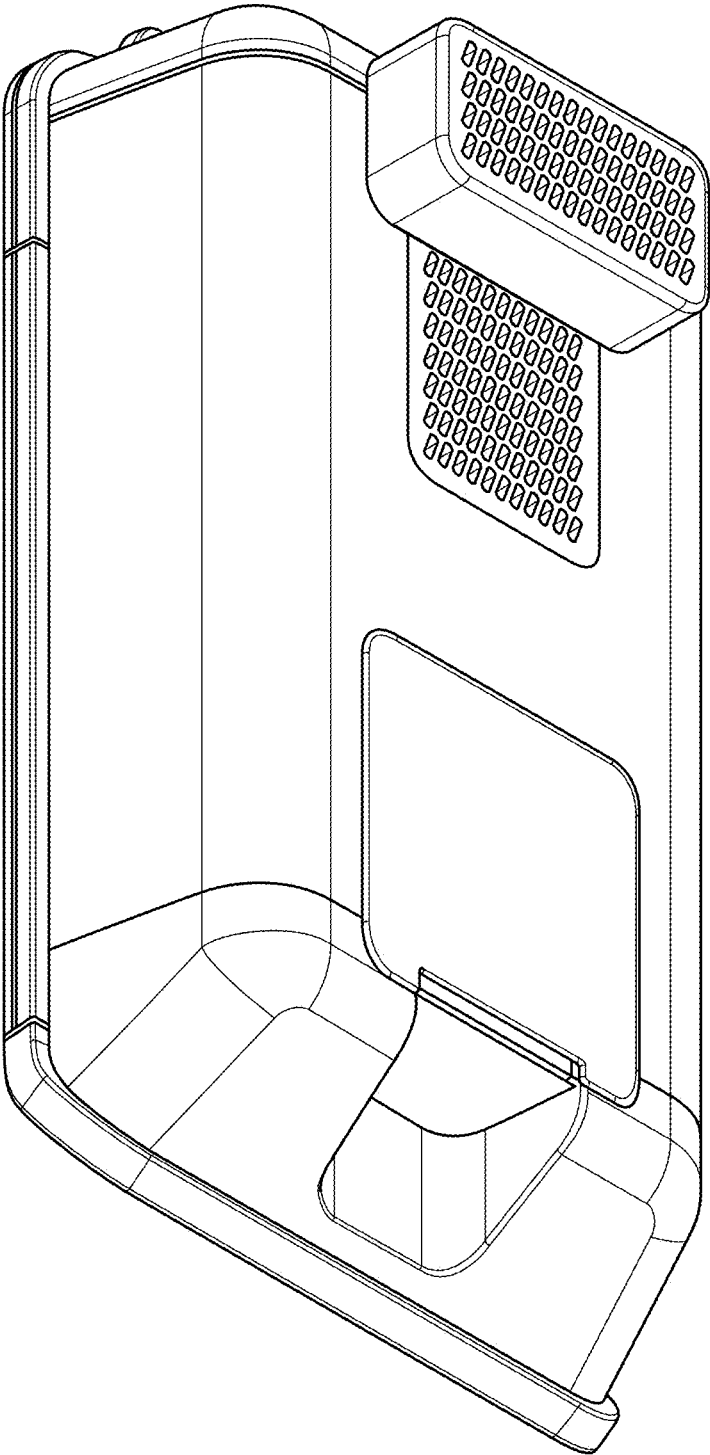


FIG. 4

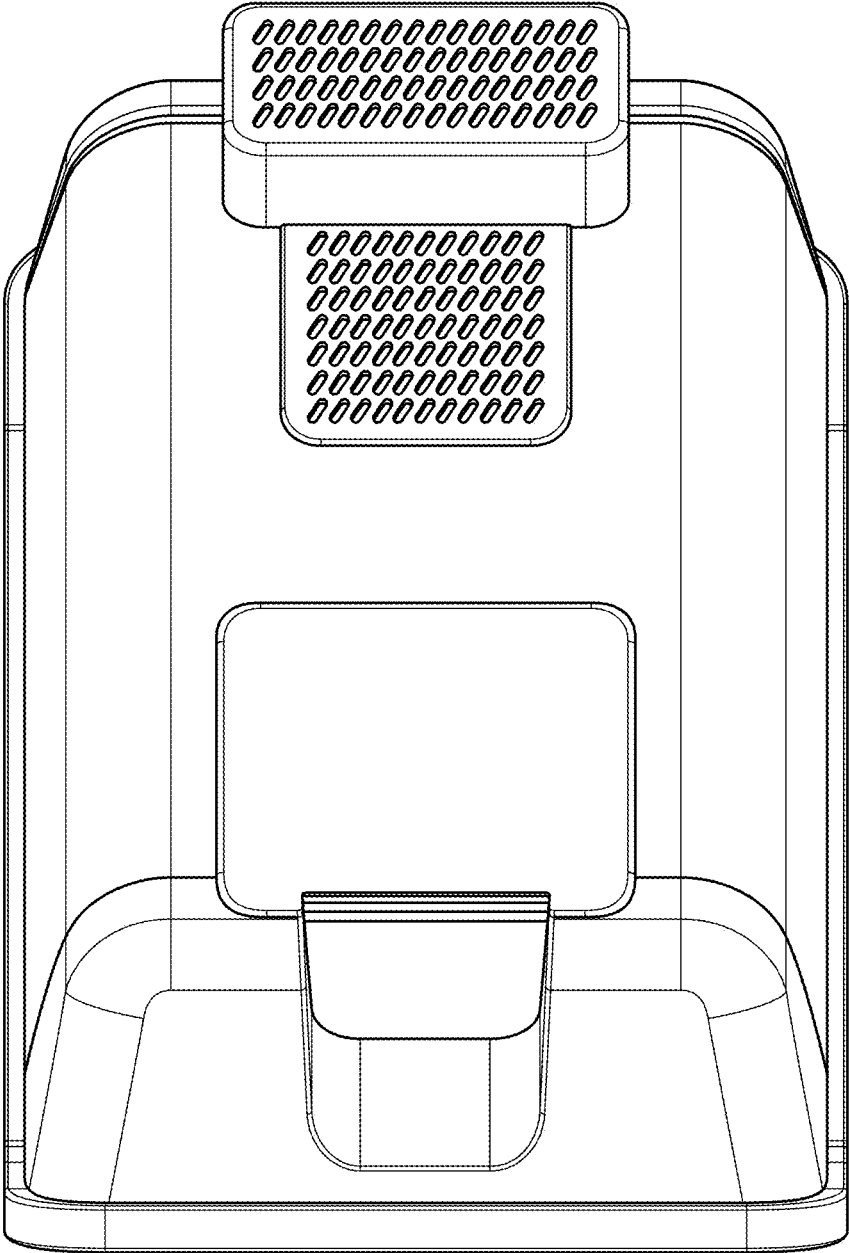


FIG. 5

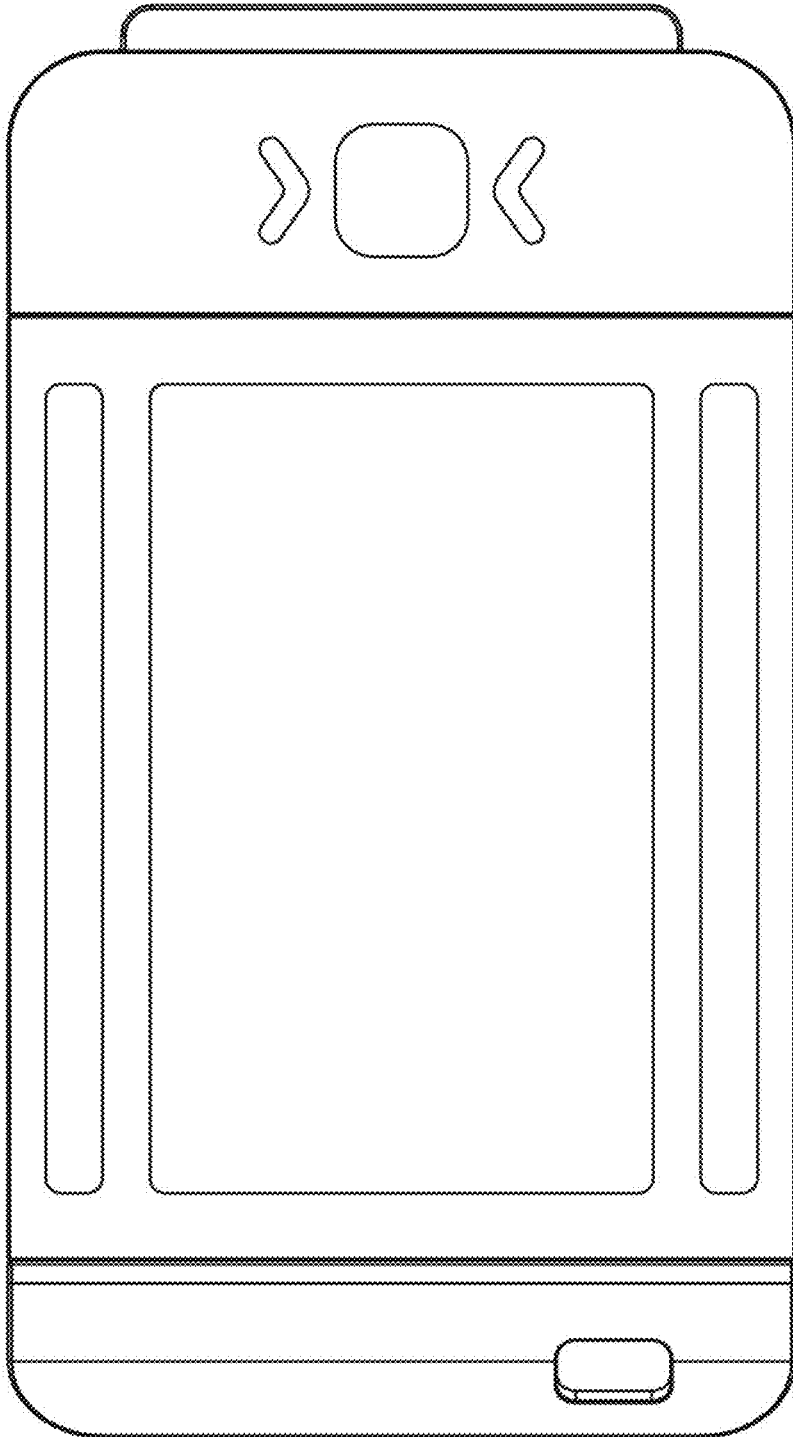


FIG. 6

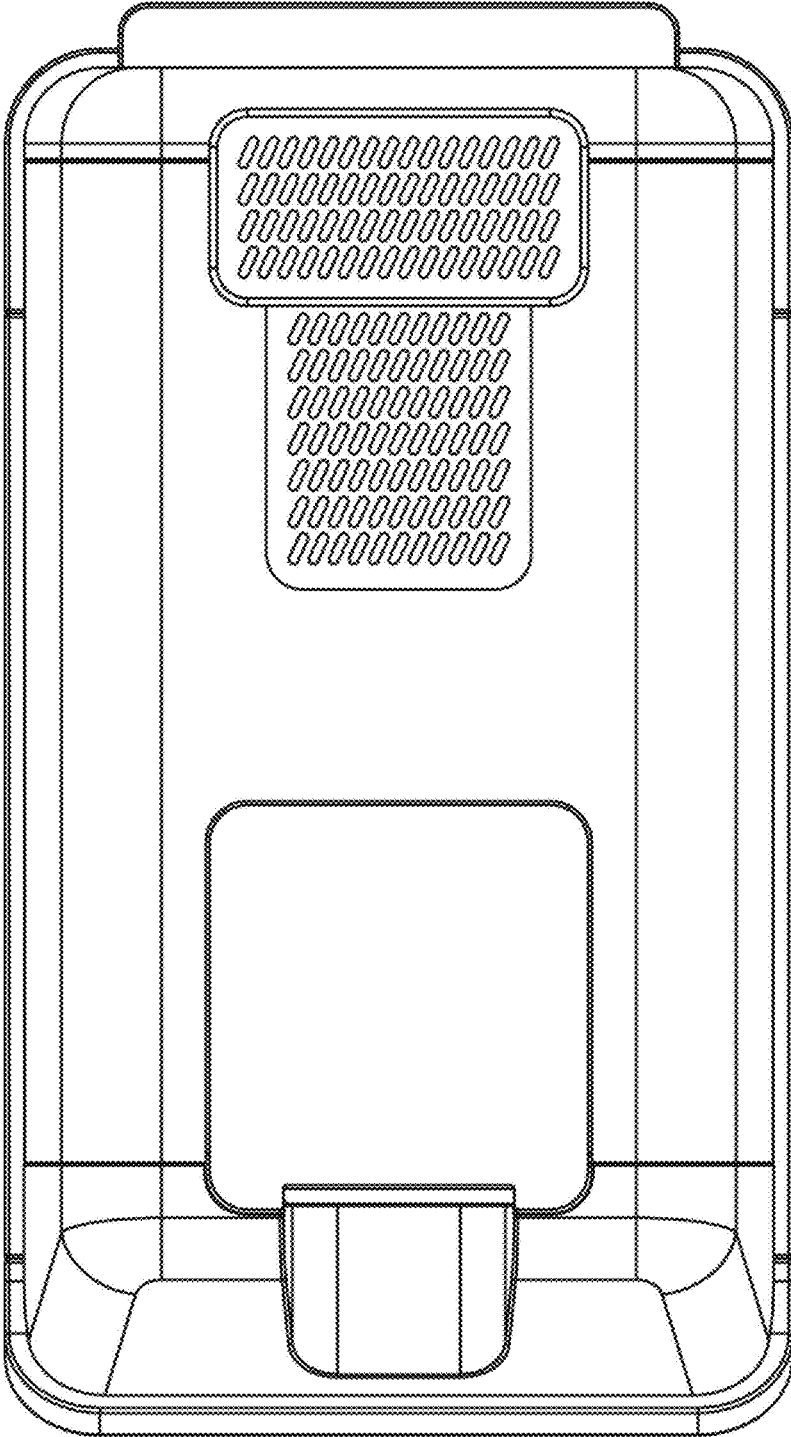


FIG. 7

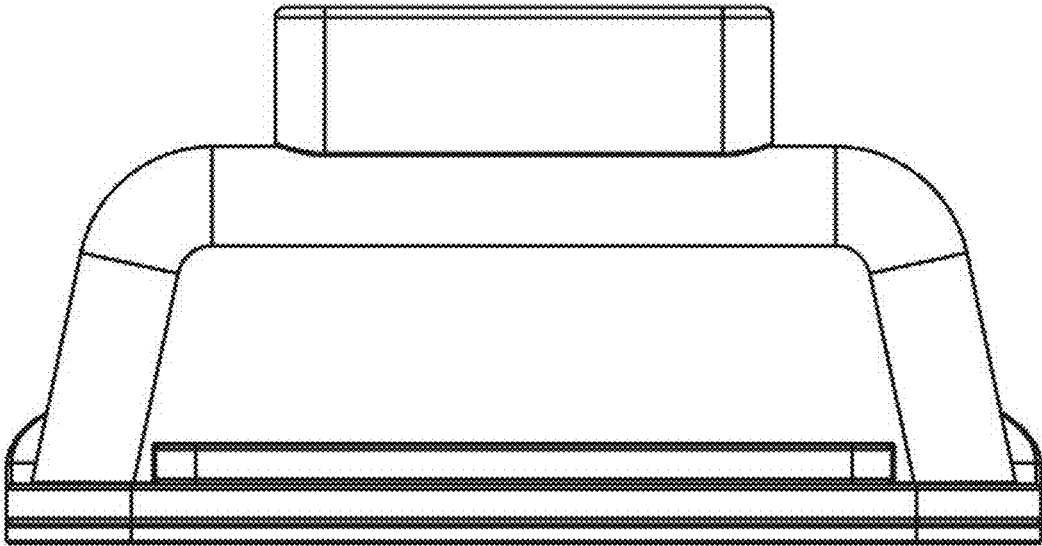


FIG. 8

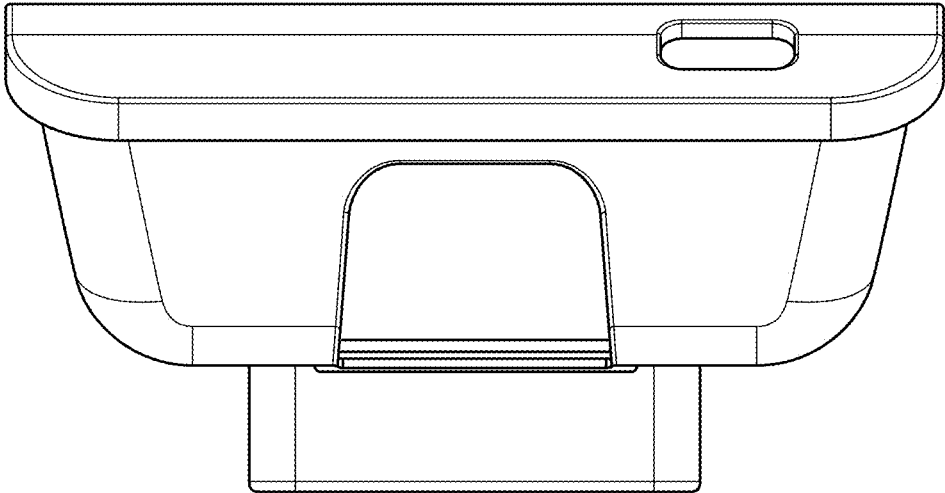


FIG. 9

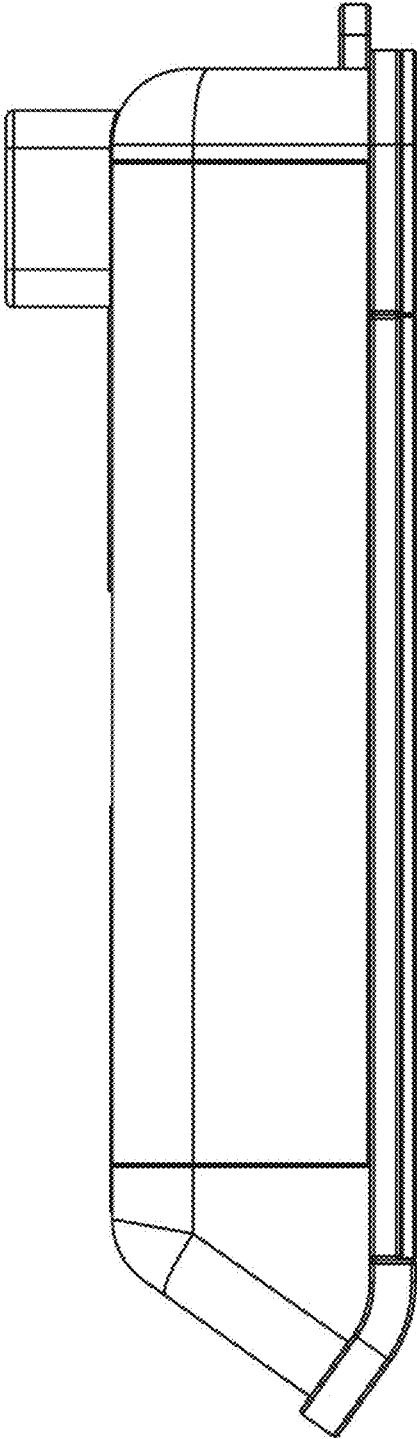


FIG. 10

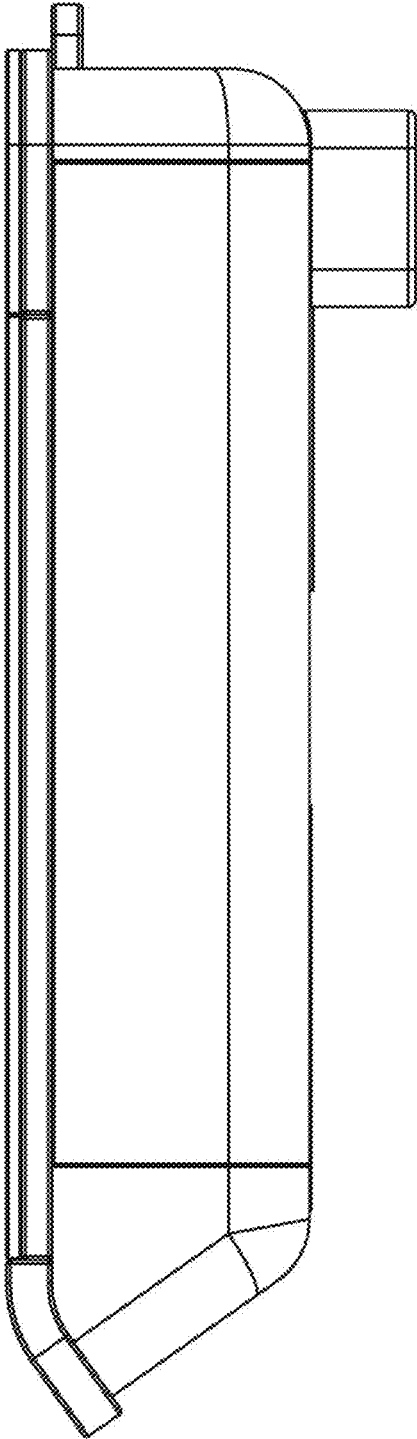


FIG. 11