



US0D1024693S

(12) **United States Design Patent**
Zhang et al.

(10) **Patent No.:** **US D1,024,693 S**

(45) **Date of Patent:** **** Apr. 30, 2024**

(54) **BAKING TRAY WITH LID**

(71) Applicant: **Shijiazhuang Far East Import & Export Trading Co., Ltd, Shijiazhuang (CN)**

(72) Inventors: **Jianzhong Zhang, Handan (CN); Xiaojia Liu, Handan (CN)**

(73) Assignee: **Shijiazhuang Far East Import & Export Trading Co., Ltd, Shijiazhuang (CN)**

(**) Term: **15 Years**

(21) Appl. No.: **29/825,942**

(22) Filed: **Feb. 8, 2022**

(51) **LOC (14) Cl.** **09-07**

(52) **U.S. Cl.**
USPC **D7/629; D7/538**

(58) **Field of Classification Search**
USPC D3/201, 273, 294; D7/391, 538, D7/601-602, 605, 608, 612, 629, 703, D7/705, 709; D9/420, 425-426, 432
CPC A45C 11/20; A47G 23/04; A47G 23/0683; A47J 41/00; A47J 47/02; A47J 47/14; B65D 1/34; B65D 1/36; B65D 24/04; B65D 43/02; B65D 51/00; B65D 51/24
See application file for complete search history.

(56) **References Cited**

U.S. PATENT DOCUMENTS

- 3,056,525 A * 10/1962 Deinert B65D 25/04 206/508
- 3,797,693 A * 3/1974 Baker A47J 36/064 D7/391
- D241,703 S * 10/1976 Ashton D7/629
- D336,018 S * 6/1993 Smith D9/425
- 6,305,546 B1 * 10/2001 Saunders B65D 43/164 206/541
- D669,305 S * 10/2012 Smyers D7/392

- D750,423 S * 3/2016 Shirley D7/391
- 2002/0148840 A1 * 10/2002 Torniainen B65D 43/0214 220/657
- 2005/0236293 A1 * 10/2005 Turvey A47J 47/02 206/459.1

FOREIGN PATENT DOCUMENTS

- CN 304459285 * 1/2018
- CN 307567160 * 9/2022

OTHER PUBLICATIONS

Nonstick Baking Pan, Sherchpry, available in Amazon.com, date first available May 11, 2023 [online], [site visited Oct. 18, 2023], available from the internet URL: <https://www.amazon.com/> (Year: 2023).*

Recipe Right Non-Stick 9-Inch Square Baking Pan with Lid, Wilson, available in Amazon.com, date first available Aug. 3, 2015 [online], [site visited Oct. 18, 2023], available from the internet URL: <https://www.amazon.com/> (Year: 2015).*

* cited by examiner

Primary Examiner — Janice Patyk
Assistant Examiner — Ji Sun Yoon

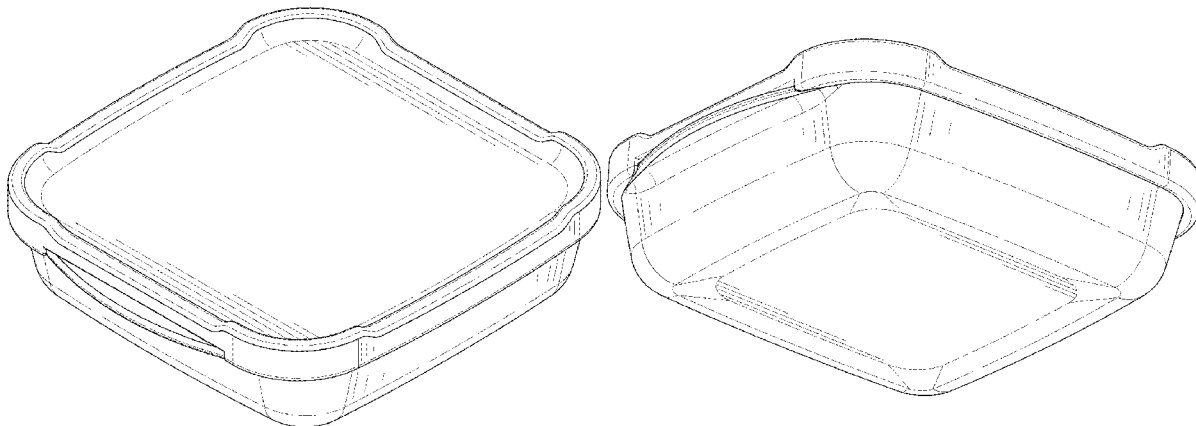
(57) **CLAIM**

The ornamental design for a baking tray with lid, as shown and described.

DESCRIPTION

FIG. 1 is a first perspective view of a baking tray with lid showing our new design;
FIG. 2 is a second perspective view thereof;
FIG. 3 is a front view thereof;
FIG. 4 is a back view thereof;
FIG. 5 is a left side view thereof;
FIG. 6 is a right side view thereof;
FIG. 7 is a top view thereof; and,
FIG. 8 is a bottom view thereof.

1 Claim, 8 Drawing Sheets



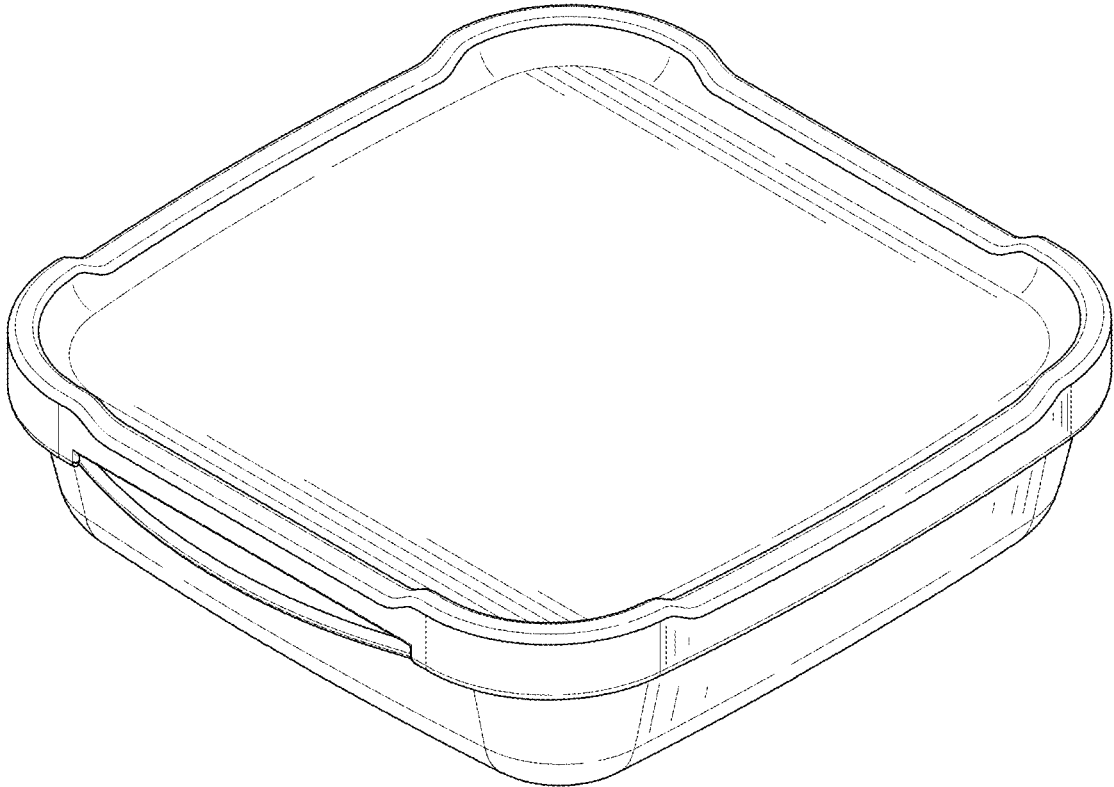


FIG. 1

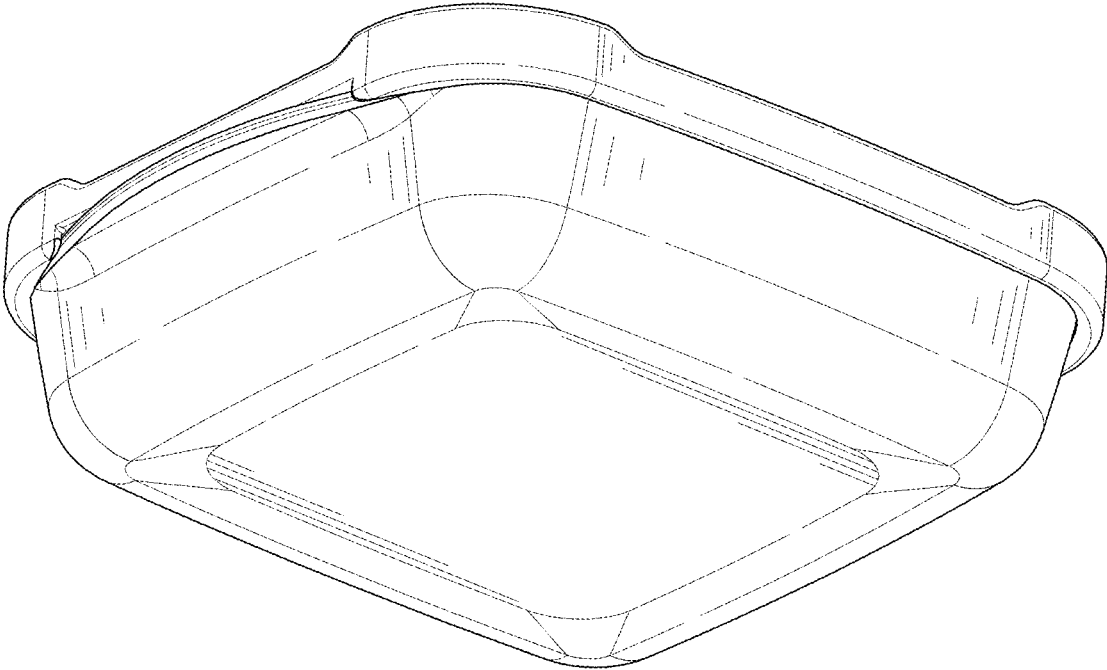


FIG. 2

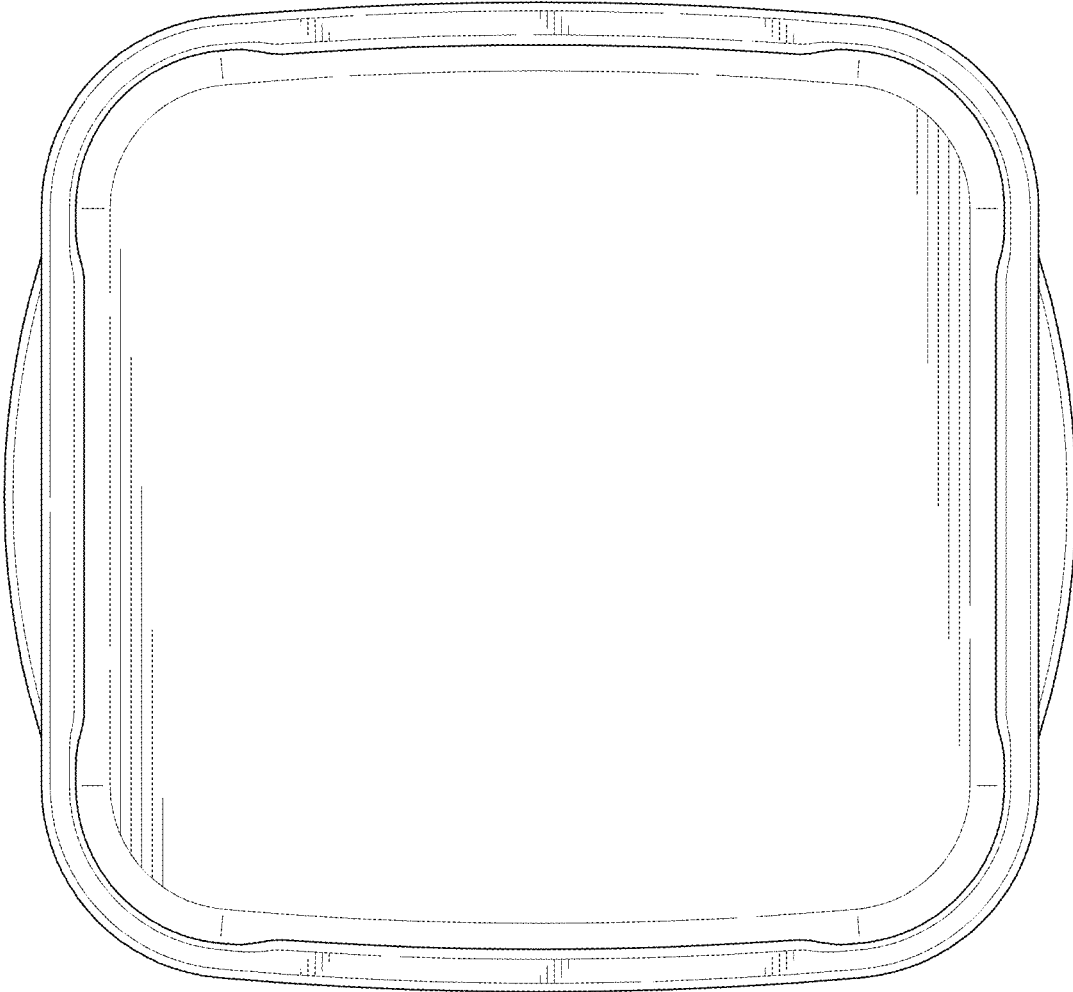


FIG. 3

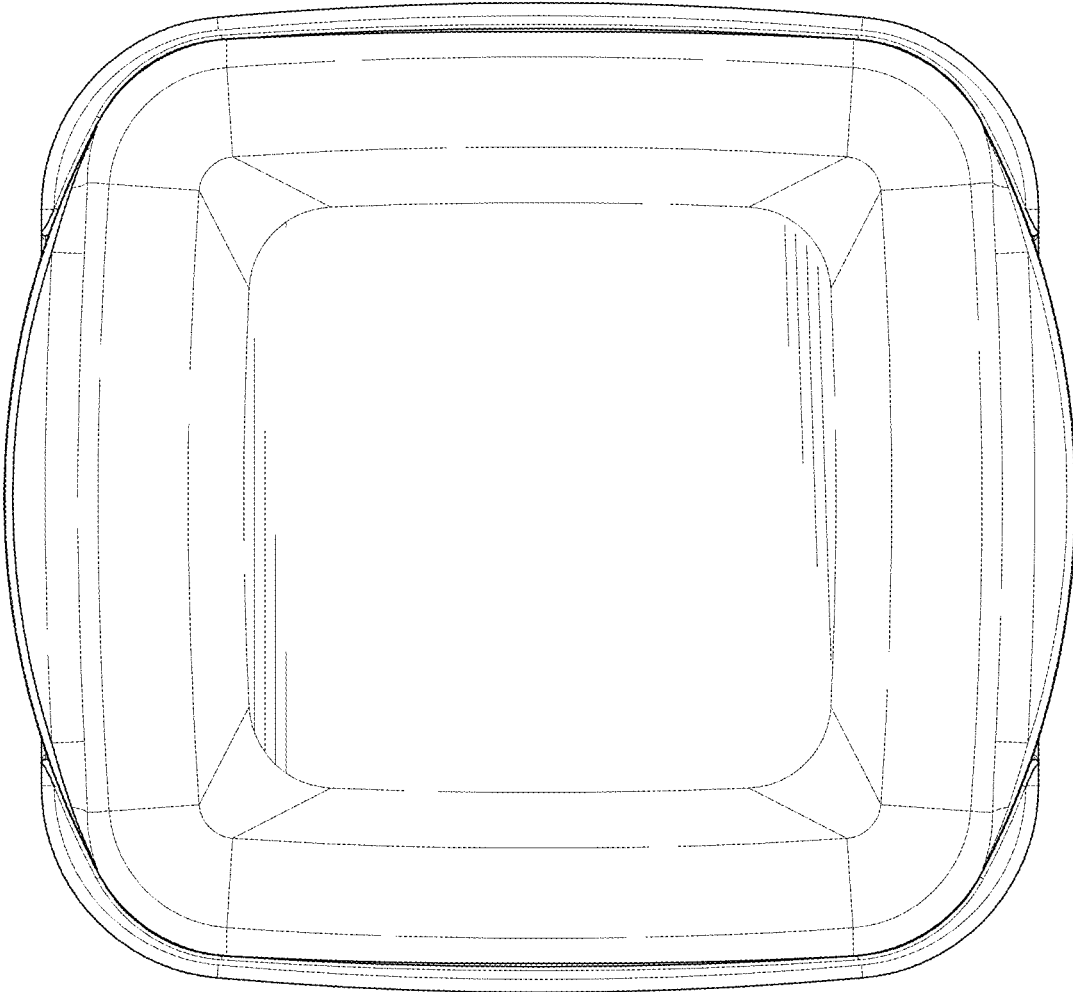


FIG. 4

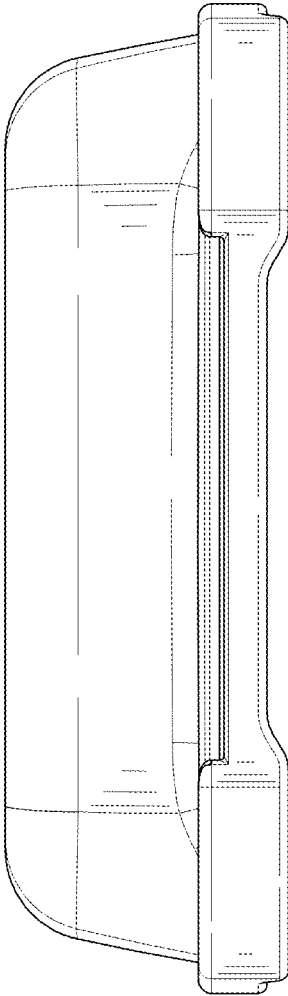


FIG. 5

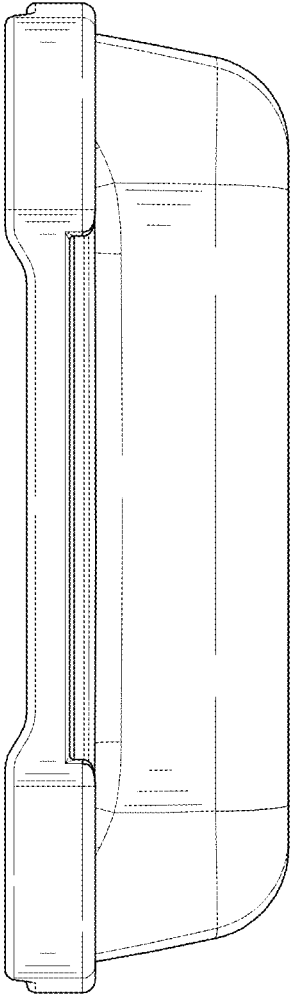


FIG. 6

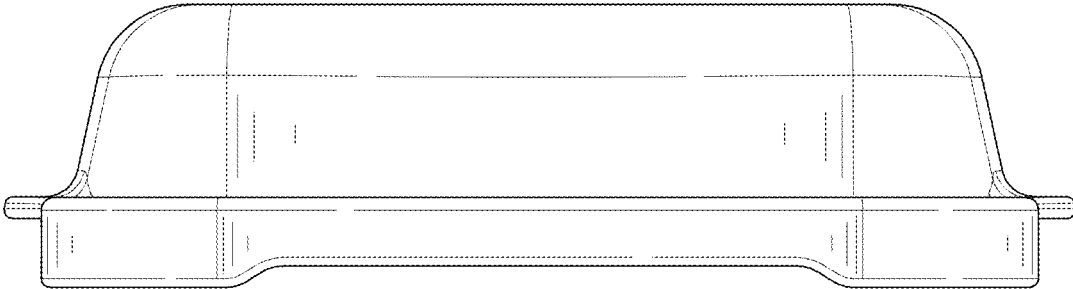


FIG. 7

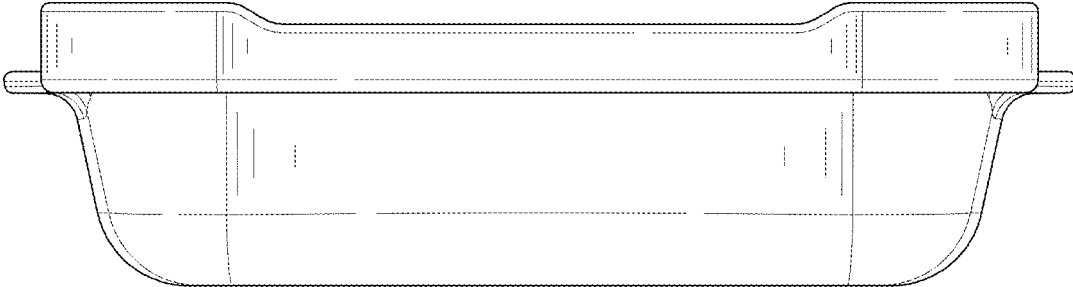


FIG. 8