



US00D481126S

(12) **United States Design Patent**
Hayamizu

(10) **Patent No.:** **US D481,126 S**

(45) **Date of Patent:** **** Oct. 21, 2003**

(54) **REMOTE CONTROL SWITCH FOR ENDOSCOPE**

FOREIGN PATENT DOCUMENTS

JP 932 630 8/1995

(75) Inventor: **Eiji Hayamizu**, Tokyo (JP)

* cited by examiner

(73) Assignee: **Pentax Corporation**, Tokyo (JP)

Primary Examiner—Ian Simmons

(**) Term: **14 Years**

(74) *Attorney, Agent, or Firm*—Sughrue Mion, PLLC

(21) Appl. No.: **29/166,265**

(57) **CLAIM**

(22) Filed: **Aug. 26, 2002**

The ornamental design for a remote control switch for endoscope, as shown and described.

(30) **Foreign Application Priority Data**

DESCRIPTION

Feb. 27, 2002 (JP) 2002-004978

(51) **LOC (7) Cl.** **24-02**

(52) **U.S. Cl.** **D24/138**

(58) **Field of Search** D24/138, 137,
D24/108, 113; 600/158, 160, 163, 111,
132, 167, 168

FIG. 1 is a perspective view of the top, front and one end of a remote control switch for endoscope showing my new design;

FIG. 2 is a front elevational view thereof;

FIG. 3 is a rear elevational view thereof;

FIG. 4 is an end elevational view of said one end thereof;

FIG. 5 is an end elevational view from an opposite end thereof, the remote control switch not being visible;

FIG. 6 is a top plan view thereof; and,

FIG. 7 is a bottom plan view thereof.

(56) **References Cited**

U.S. PATENT DOCUMENTS

5,447,148	A	*	9/1995	Oneda et al.	600/158
5,993,381	A	*	11/1999	Ito	600/167
6,099,466	A	*	8/2000	Sano et al.	600/160
6,443,888	B1	*	9/2002	Ogura et al.	600/132
6,520,908	B1	*	2/2003	Ikeda et al.	600/132

The elements shown in broken lines do not form any part of the claimed design.

1 Claim, 5 Drawing Sheets

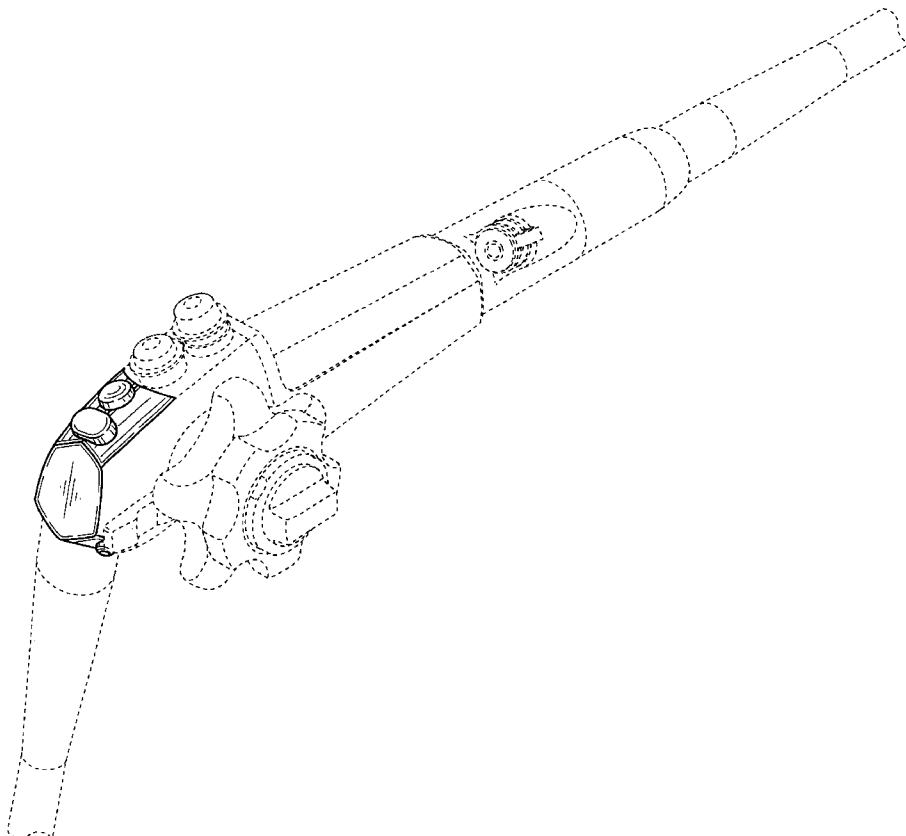


FIG. 1

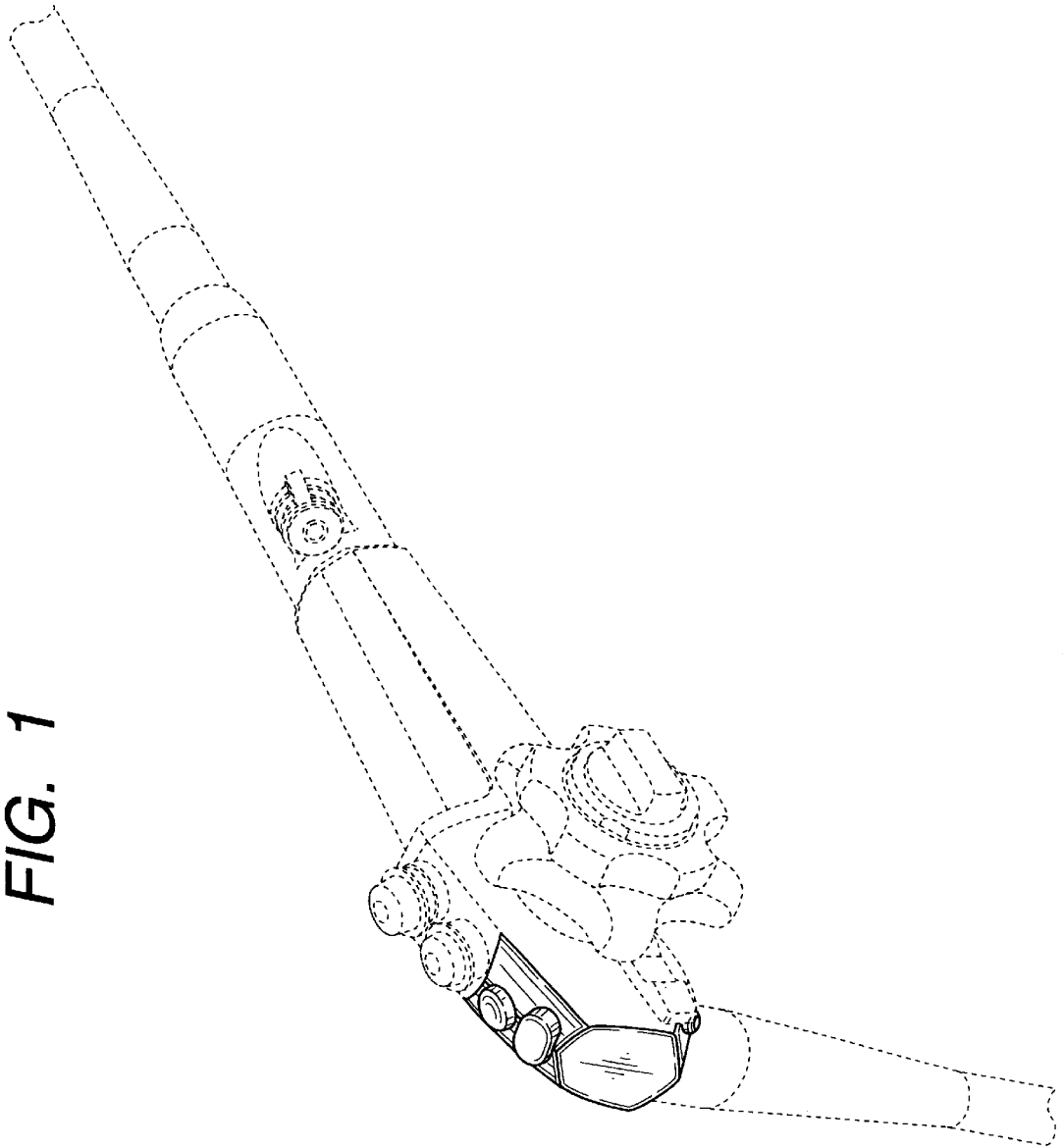


FIG. 2

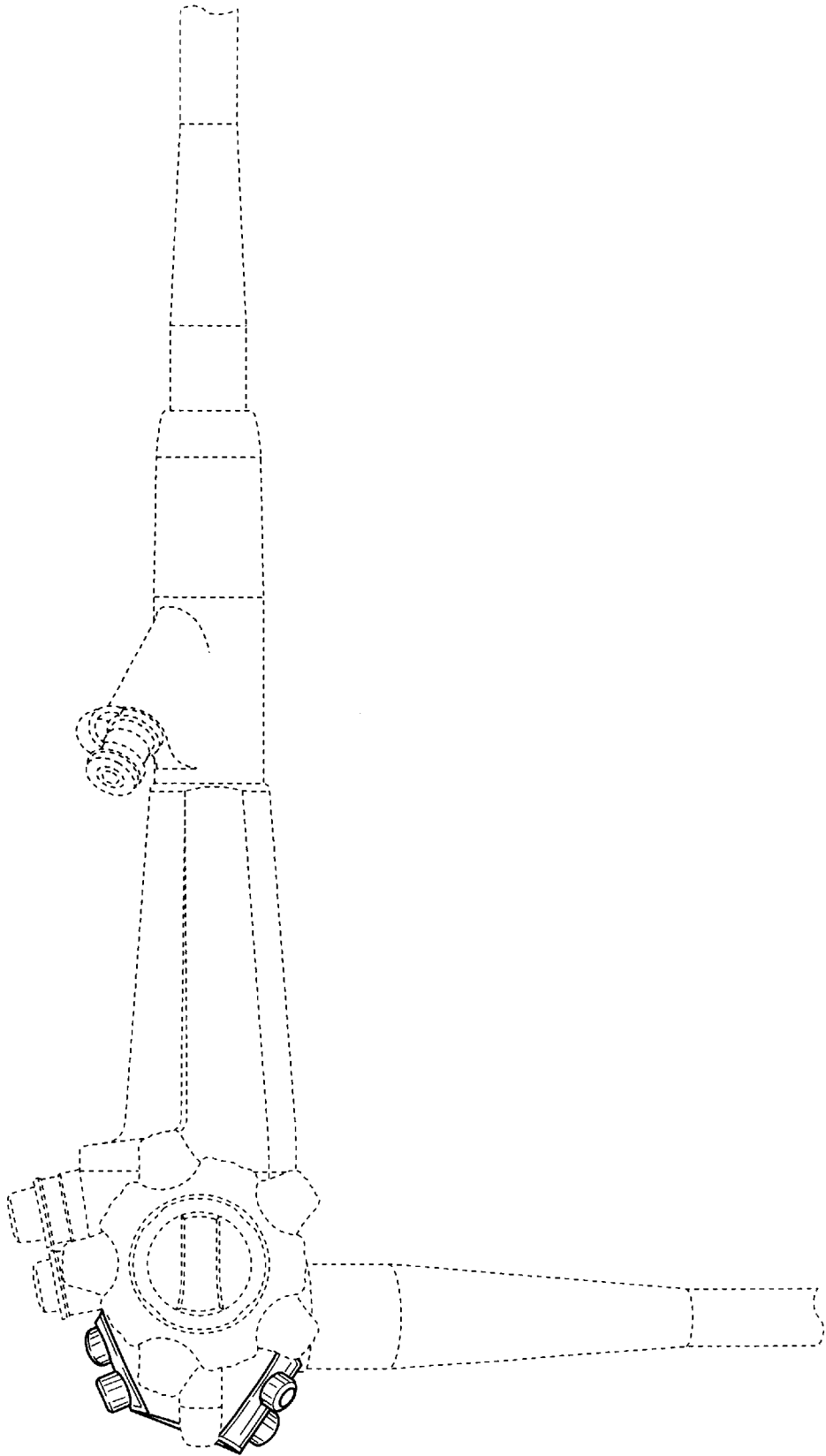


FIG. 3

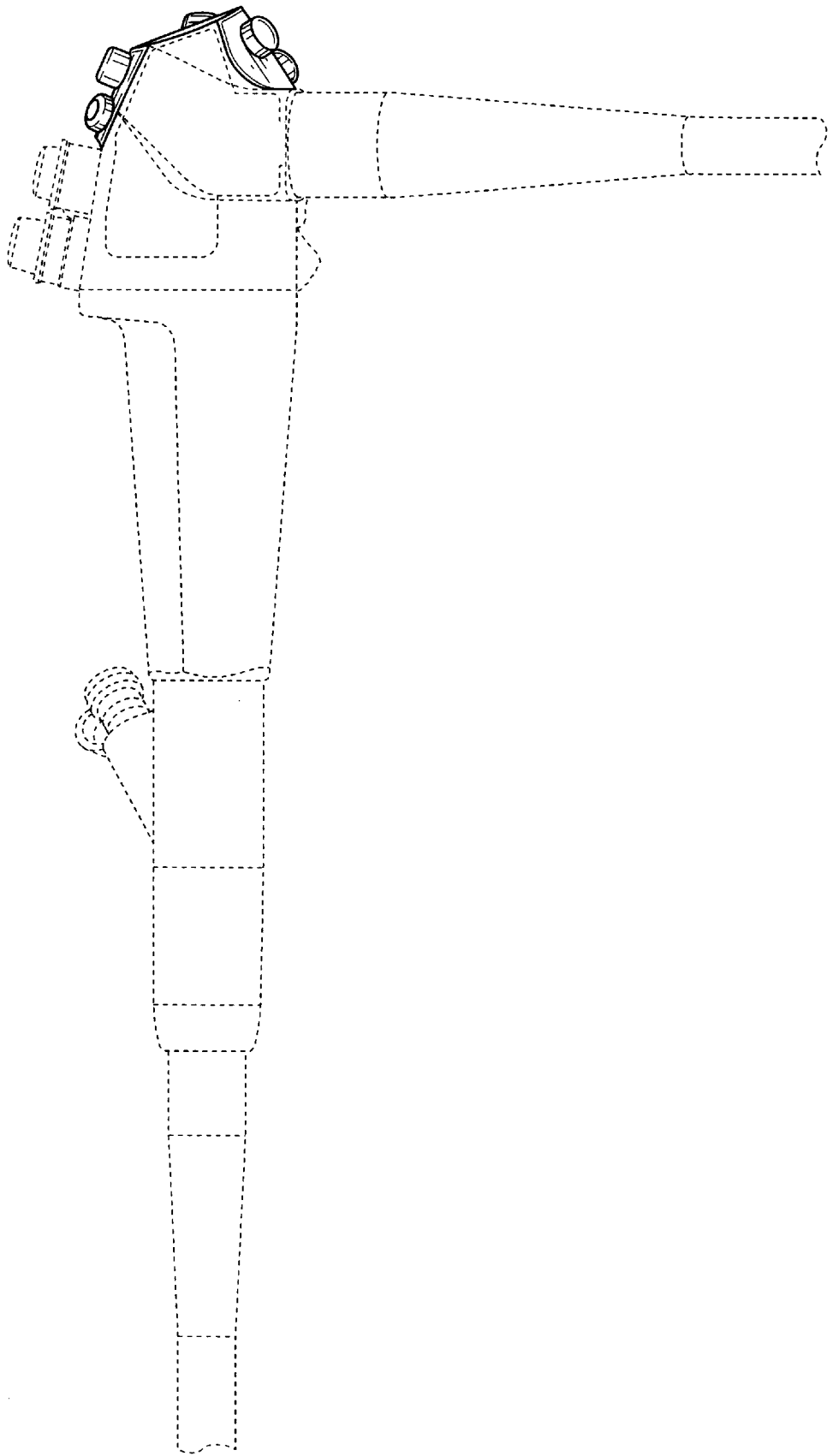


FIG. 4

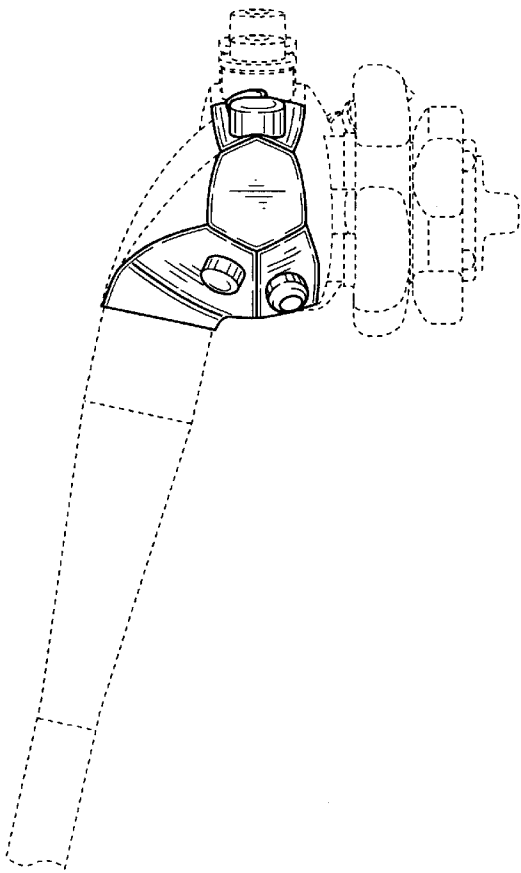


FIG. 5

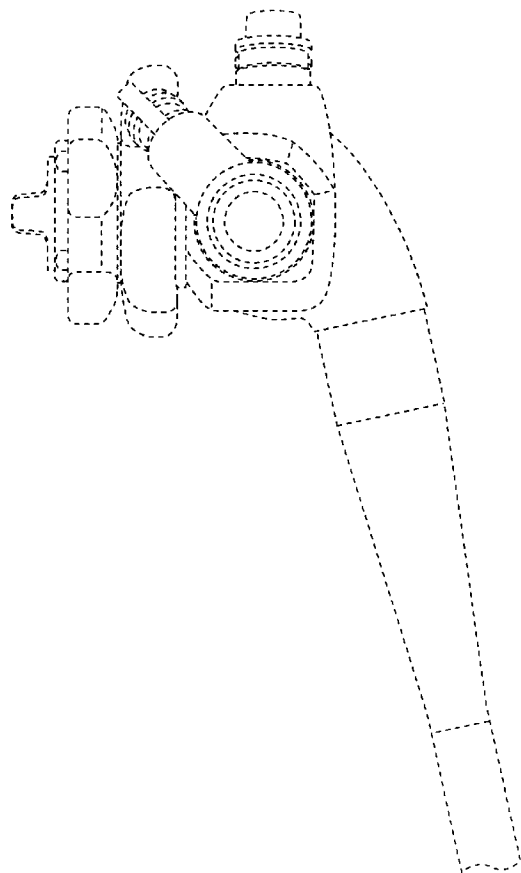


FIG. 6

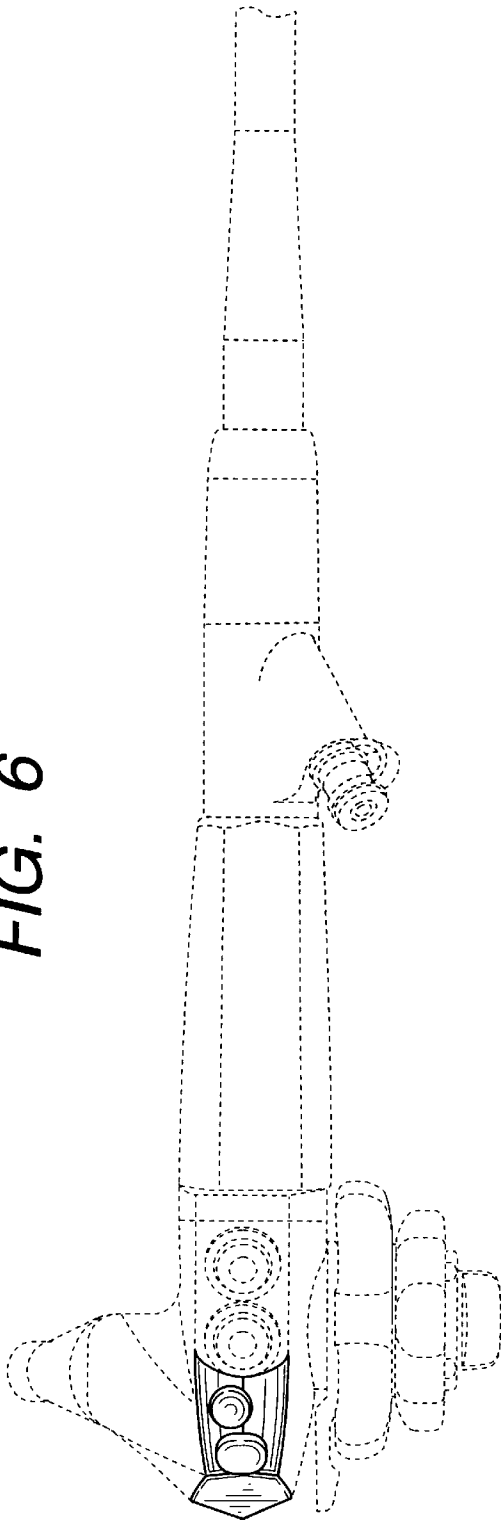


FIG. 7

