

(19) World Intellectual Property Organization  
International Bureau



(43) International Publication Date  
18 January 2007 (18.01.2007)

PCT

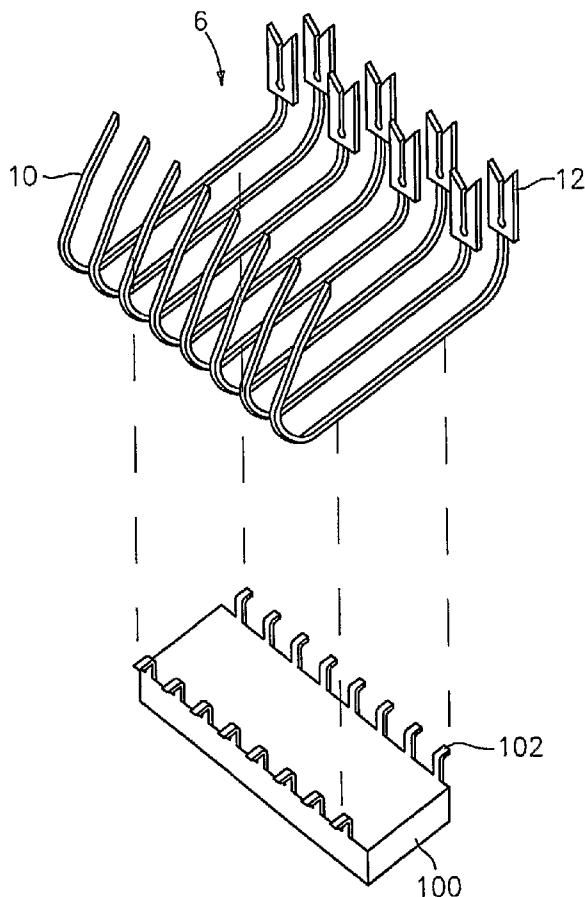
(10) International Publication Number  
**WO 2007/009020 A3**

- (51) **International Patent Classification:**  
H01R 13/66 (2006.01)
- (21) **International Application Number:**  
PCT/US2006/027156
- (22) **International Filing Date:** 12 July 2006 (12.07.2006)
- (25) **Filing Language:** English
- (26) **Publication Language:** English
- (30) **Priority Data:**  
60/698,439 12 July 2005 (12.07.2005) US
- (71) **Applicant (for all designated States except US):** THE SIEMON COMPANY [US/US]; 27 Siemon Company Drive, Watertown, CT 06795 (US).
- (72) **Inventors; and**
- (75) **Inventors/Applicants (for US only):** SIEMON, John, A. [US/US]; 200 Quassuk Road, Woodbury, CT 06798 (US). LO, Denny [US/US]; 74 Ancient Oak Road, Bethlehem, CT 06751 (US).
- (74) **Agent:** FOX, David, A.; Cantor Colburn LLP, 55 Griffin Road South, Bloomfield, CT 06002 (US).

- (81) **Designated States (unless otherwise indicated, for every kind of national protection available):** AE, AG, AL, AM, AT, AU, AZ, BA, BB, BG, BR, BW, BY, BZ, CA, CH, CN, CO, CR, CU, CZ, DE, DK, DM, DZ, EC, EE, EG, ES, FI, GB, GD, GE, GH, GM, HN, HR, HU, ID, IL, IN, IS, JP, KE, KG, KM, KN, KP, KR, KZ, LA, LC, LK, LR, LS, LT, LU, LV, LY, MA, MD, MG, MK, MN, MW, MX, MZ, NA, NG, NI, NO, NZ, OM, PG, PH, PL, PT, RO, RS, RU, SC, SD, SE, SG, SK, SL, SM, SY, TJ, TM, TN, TR, TT, TZ, UA, UG, US, UZ, VC, VN, ZA, ZM, ZW.
  - (84) **Designated States (unless otherwise indicated, for every kind of regional protection available):** ARIPO (BW, GH, GM, KE, LS, MW, MZ, NA, SD, SL, SZ, TZ, UG, ZM, ZW), Eurasian (AM, AZ, BY, KG, KZ, MD, RU, TJ, TM), European (AT, BE, BG, CH, CY, CZ, DE, DK, EE, ES, FI, FR, GB, GR, HU, IE, IS, IT, LT, LU, LV, MC, NL, PL, PT, RO, SE, SI, SK, TR), OAPI (BF, BJ, CF, CG, CI, CM, GA, GN, GQ, GW, ML, MR, NE, SN, TD, TG).
- Published:**  
— with international search report

[Continued on next page]

(54) **Title:** TELECOMMUNICATIONS CONNECTOR WITH MODULAR ELEMENT



(57) **Abstract:** A telecommunications connector includes a housing and a plurality of contacts (6) mounted in the housing, the contacts having a first connection end (12) and a second connection end (10). A modular element (100 having a plurality of leads (102) in electrical contact with the plurality of contacts is removably mounted to the housing.

WO 2007/009020 A3



---

**(88) Date of publication of the international search report:**

7 June 2007

*For two-letter codes and other abbreviations, refer to the "Guidance Notes on Codes and Abbreviations" appearing at the beginning of each regular issue of the PCT Gazette.*

# INTERNATIONAL SEARCH REPORT

International application No.

/US06/27156

**A. CLASSIFICATION OF SUBJECT MATTER**

IPC: **H01R 13/66( 2006.01)**

USPC: 439/620.23

According to International Patent Classification (IPC) or to both national classification and IPC

**B. FIELDS SEARCHED**

Minimum documentation searched (classification system followed by classification symbols)

U.S. : 439/620.23, 620.21, 620.22, 941, 676, 404

Documentation searched other than minimum documentation to the extent that such documents are included in the fields searched

Electronic data base consulted during the international search (name of data base and, where practicable, search terms used)

**C. DOCUMENTS CONSIDERED TO BE RELEVANT**

Category *	Citation of document, with indication, where appropriate, of the relevant passages	Relevant to claim No.
X	US 6,358,093 B1 (Phommachanh et al.) 19 March 2002 (19.03.2002), all	1, 3, 7, 8 and 15
X	US 6,371,793 B1 (Doorhy et al.) 16 April 2002 (16.04.2002), all	1, 3-5, 8 and 15
X,P	US 7057899 B2 (AbuGhazaleh et al.) 06 June 2006 (06.06.2006), all	1, 3-10,11,15 and 16
Y,P		12-14
Y	US 20050125745 A1 (Engestrom et al.) 09 June 2005 (09.06.2005), all	12-14
X	US 6168472 B1 (Arnett) 02 January 2001 (02.01.2001), all	1-2

Further documents are listed in the continuation of Box C.

See patent family annex.

* Special categories of cited documents:	
"A" document defining the general state of the art which is not considered to be of particular relevance	"T" later document published after the international filing date or priority date and not in conflict with the application but cited to understand the principle or theory underlying the invention
"E" earlier application or patent published on or after the international filing date	"X" document of particular relevance; the claimed invention cannot be considered novel or cannot be considered to involve an inventive step when the document is taken alone
"L" document which may throw doubts on priority claim(s) or which is cited to establish the publication date of another citation or other special reason (as specified)	"Y" document of particular relevance; the claimed invention cannot be considered to involve an inventive step when the document is combined with one or more other such documents, such combination being obvious to a person skilled in the art
"O" document referring to an oral disclosure, use, exhibition or other means	"&" document member of the same patent family
"P" document published prior to the international filing date but later than the priority date claimed	

Date of the actual completion of the international search

05 February 2007 (05.02.2007)

Date of mailing of the international search report

**26 FEB 2007**

Name and mailing address of the ISA/US

Mail Stop PCT, Attn: ISA/US  
Commissioner for Patents  
P.O. Box 1450  
Alexandria, Virginia 22313-1450

Facsimile No. (571) 273-3201

Authorized officer

Paula A. Bradley

Telephone No. (703) 308-1782