



US0D1069498S

(12) **United States Design Patent**
Meyers et al.

(10) **Patent No.:** **US D1,069,498 S**

(45) **Date of Patent:** **** Apr. 8, 2025**

- (54) **AGITATOR**
- (71) Applicant: **Runway Blue, LLC**, Lehi, UT (US)
- (72) Inventors: **David O. Meyers**, Layton, UT (US);
John R. Omdahl, II, Lindon, UT (US)
- (73) Assignee: **Runway Blue, LLC**, Lehi, UT (US)
- (**) Term: **15 Years**
- (21) Appl. No.: **29/867,067**
- (22) Filed: **Oct. 7, 2022**
- (51) **LOC (15) Cl.** **07-04**
- (52) **U.S. Cl.**
USPC **D7/412**
- (58) **Field of Classification Search**
USPC D7/368, 376, 377, 412, 413, 415, 669
CPC A21C 11/20; A21C 1/144; A21C 1/06;
A21C 1/02; A47G 19/2272; A47J 43/07;
A47J 43/0711; A47J 43/046; A47J
43/044; A47J 43/06; A47J 43/0722; A47J
43/087; A47J 43/27; B01F 33/5011; B01F
33/25; B01F 35/32021; B01F 33/251;
B01F 35/3202

See application file for complete search history.

(56) **References Cited**

U.S. PATENT DOCUMENTS

4,637,941	A *	1/1987	Rochte	G09F 19/02
				264/318
6,379,032	B1	4/2002	Sorensen	
D705,499	S *	5/2014	Zamarripa	D30/128
D723,325	S *	3/2015	Enghard	D7/397
D725,431	S *	3/2015	Enghard	D7/397
D768,437	S *	10/2016	Lane	D7/412

D782,874	S *	4/2017	Ross	D7/378
D784,760	S *	4/2017	Gilmartin	D7/412
D814,850	S *	4/2018	Polk, III	D7/376
D863,887	S *	10/2019	Sorensen	D7/412
D864,662	S *	10/2019	Sorensen	D7/412
D864,663	S *	10/2019	Meyers	D7/412
D864,664	S *	10/2019	Meyers	D7/412
D865,446	S *	11/2019	Meyers	D7/378
D866,254	S *	11/2019	Sorensen	D7/412
D867,818	S *	11/2019	Meyers	D7/412
D875,470	S	2/2020	Sorensen et al.	
D876,164	S *	2/2020	Sorensen	D7/412
D876,165	S *	2/2020	Sorensen	D7/412
D966,787	S *	10/2022	Parks	B01F 35/32021
				D7/376
2019/0299175	A1 *	10/2019	Sorensen	B01F 33/251
2020/0353429	A1 *	11/2020	Parks	B01F 35/32021

* cited by examiner

Primary Examiner — Joseph Kukella
Assistant Examiner — Darryl J Dardenne
 (74) *Attorney, Agent, or Firm* — Sterne, Kessler,
 Goldstein & Fox P.L.L.C.

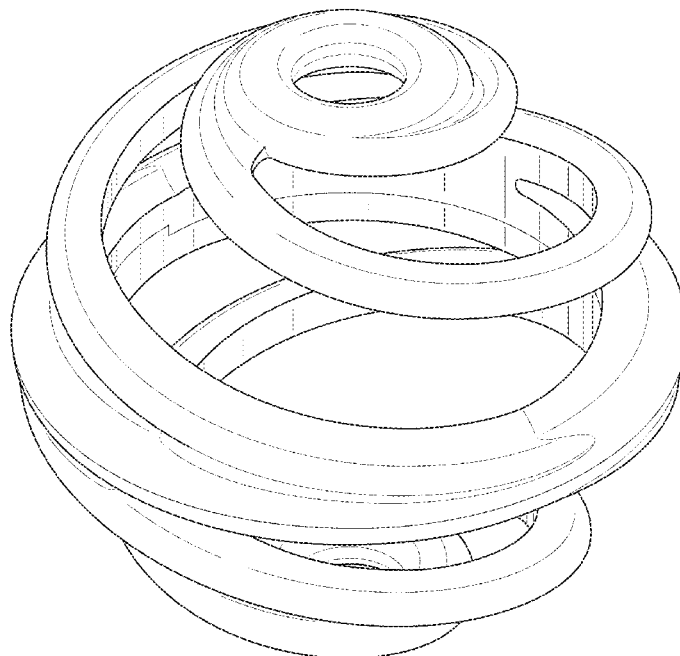
(57) **CLAIM**

The ornamental design for an agitator as shown and described.

DESCRIPTION

FIG. 1 is a top isometric view of an agitator showing the claimed design;
 FIG. 2 is a front elevation view thereof;
 FIG. 3 is a rear elevation view thereof;
 FIG. 4 is a left side elevation view thereof;
 FIG. 5 is a right side elevation view thereof;
 FIG. 6 is a top plan view thereof; and,
 FIG. 7 is a bottom plan view thereof.

1 Claim, 7 Drawing Sheets



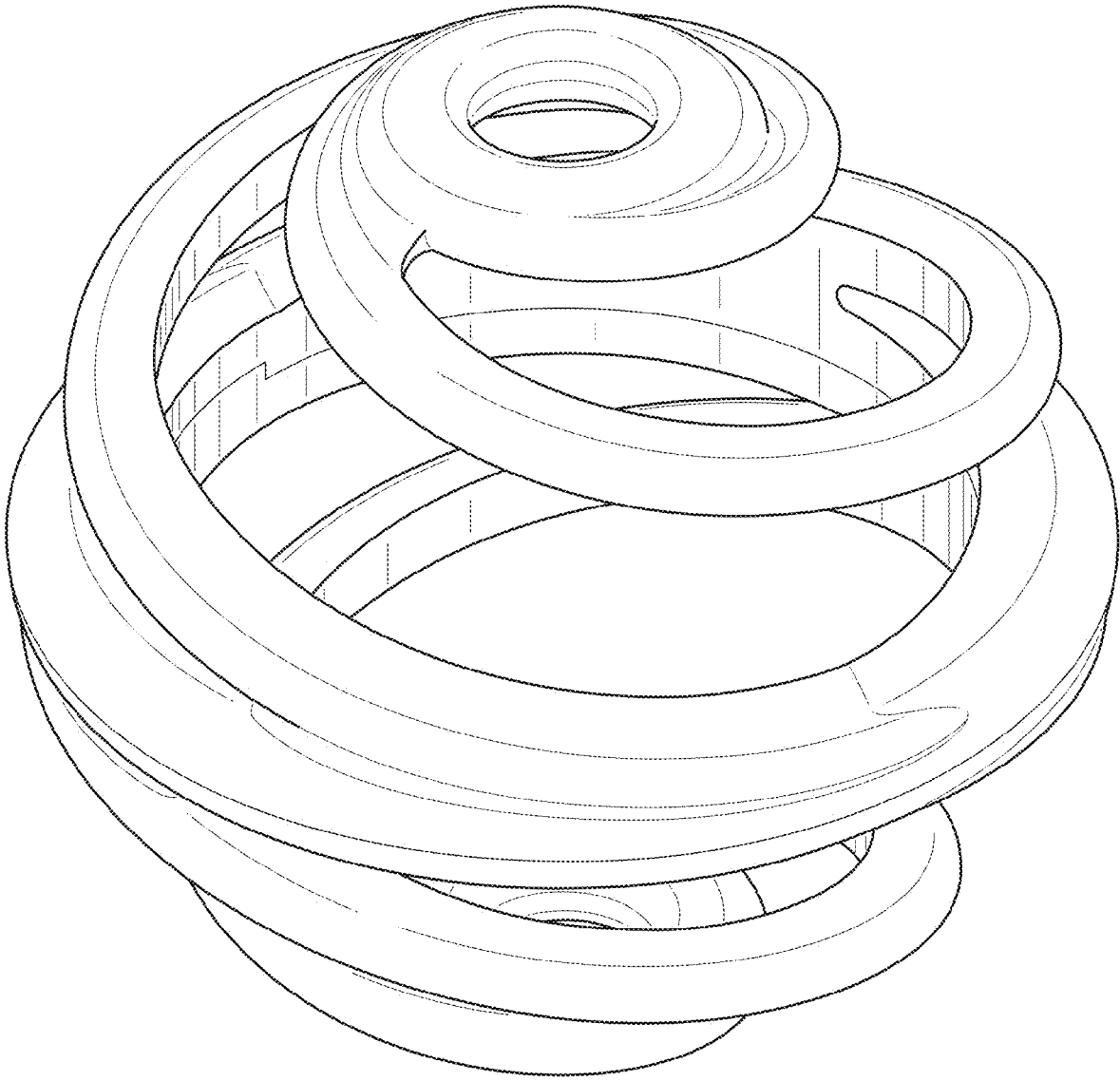


FIG. 1

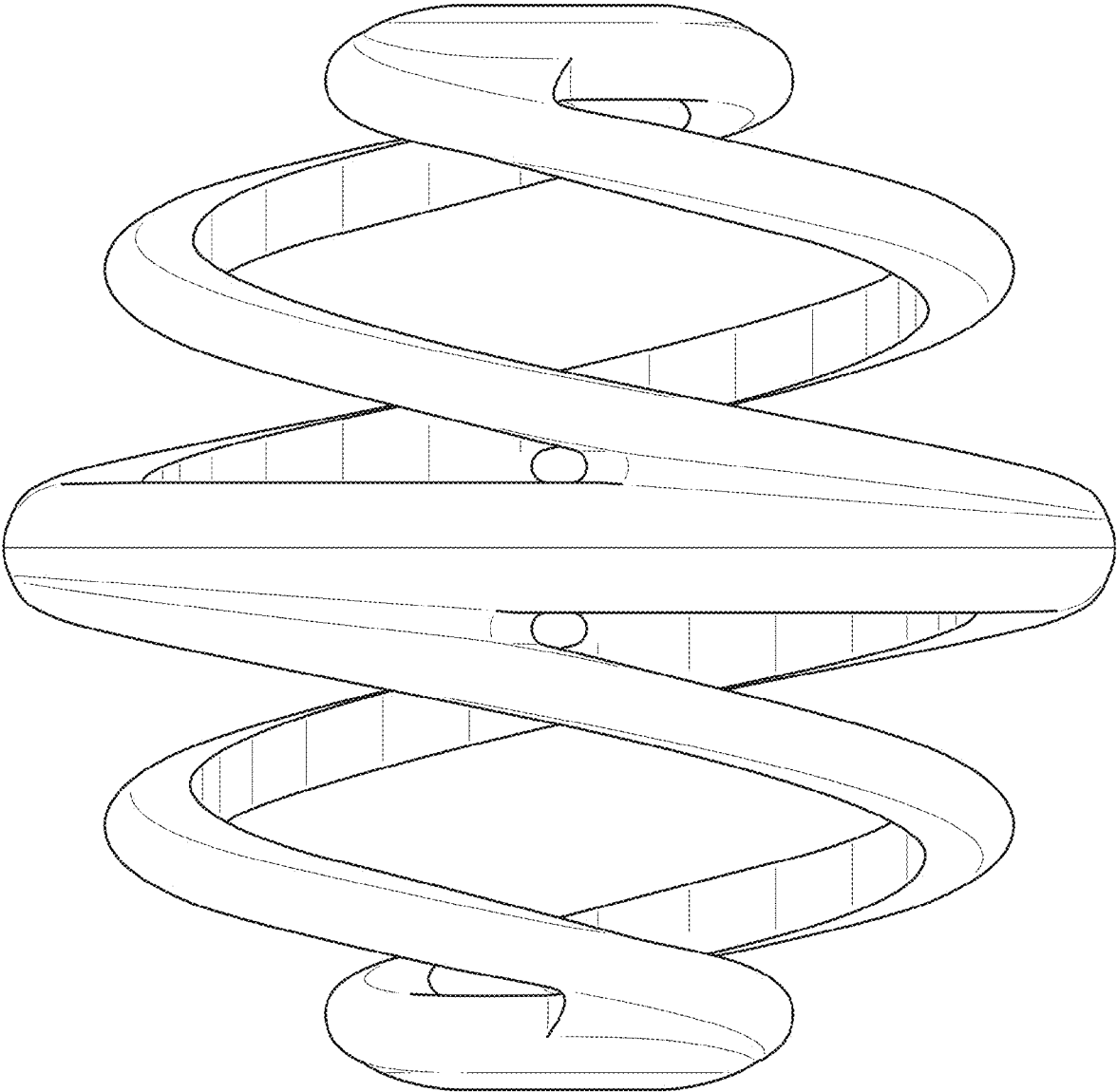


FIG. 2

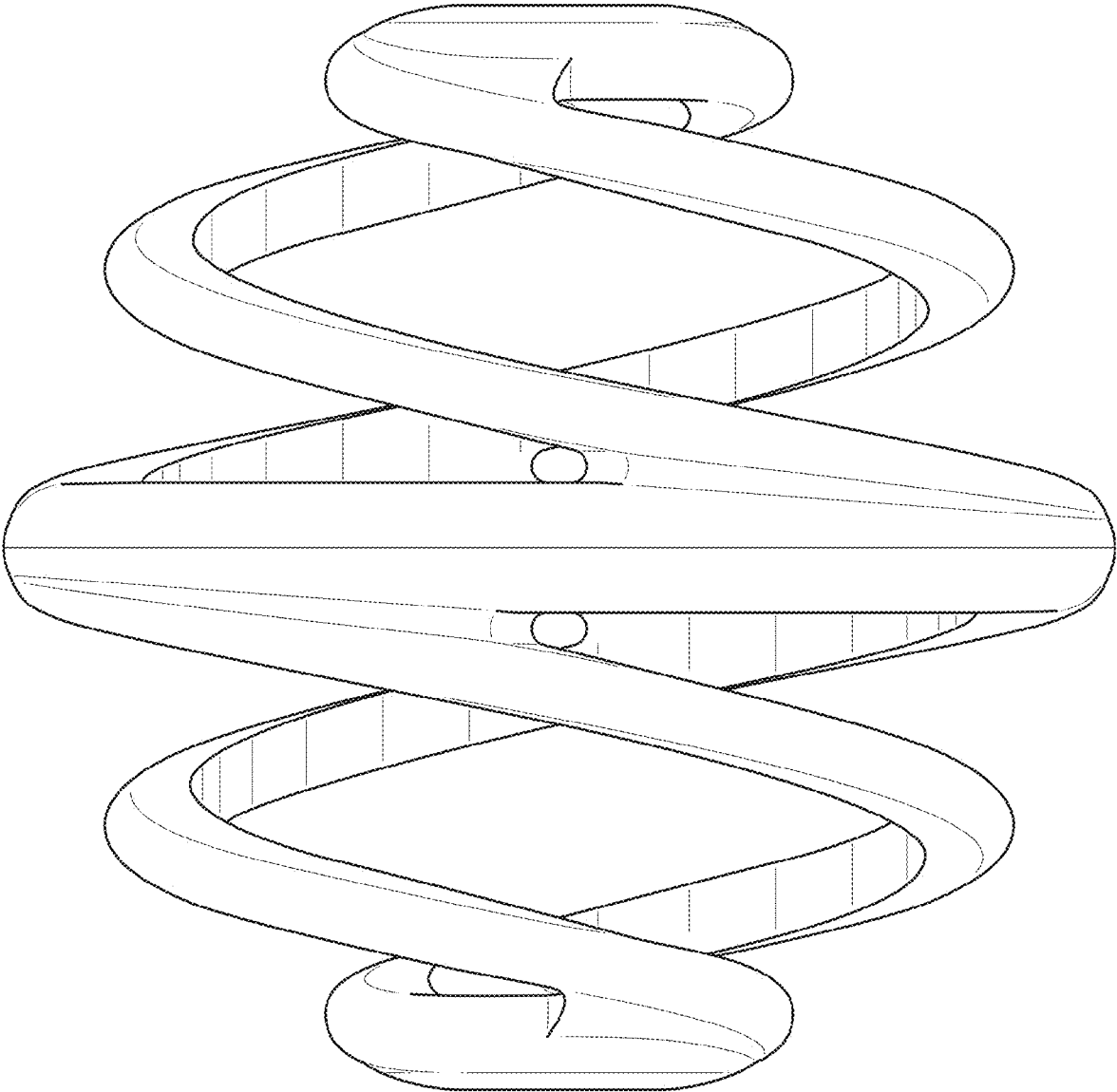


FIG. 3

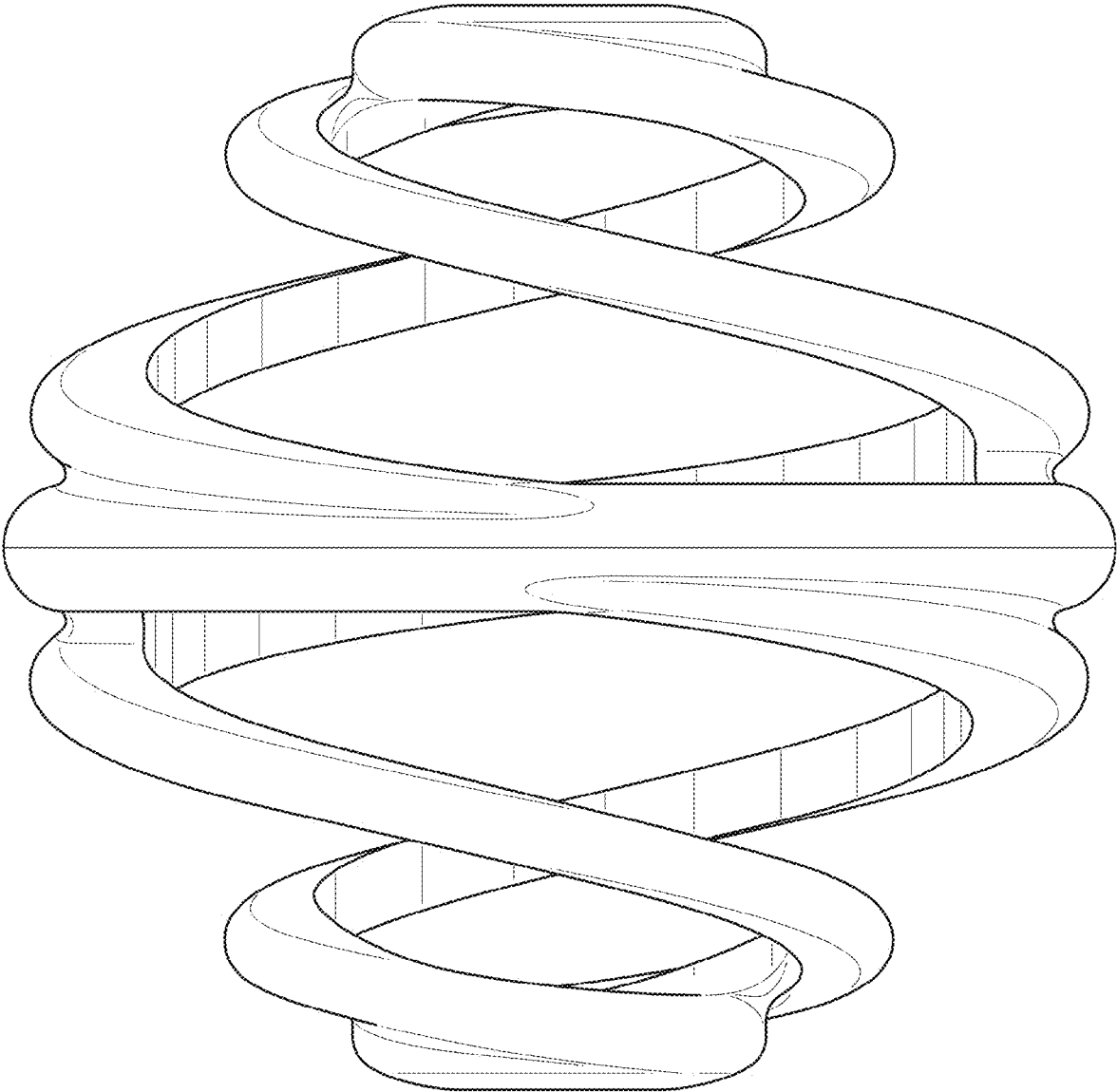


FIG. 4

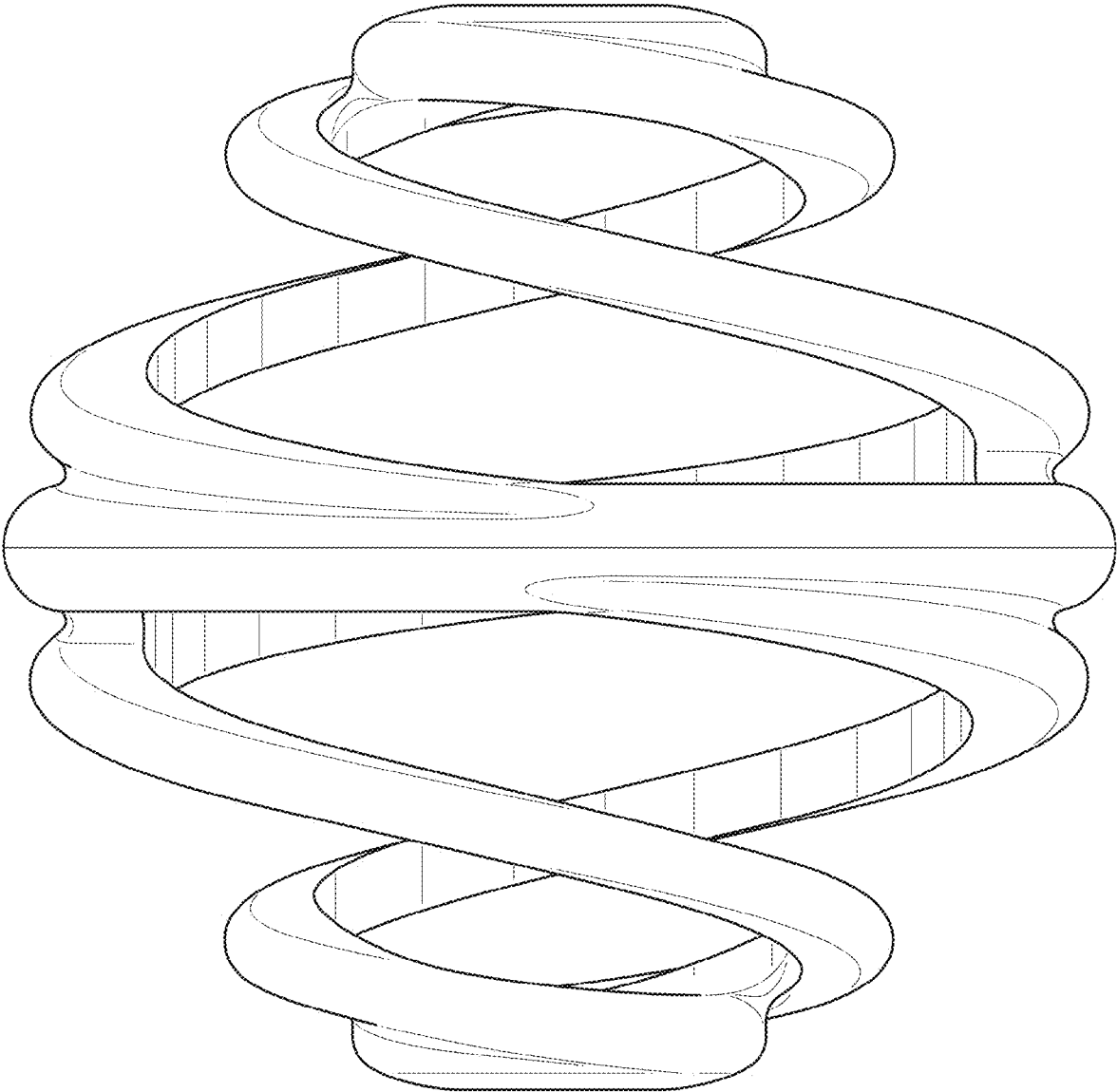


FIG. 5

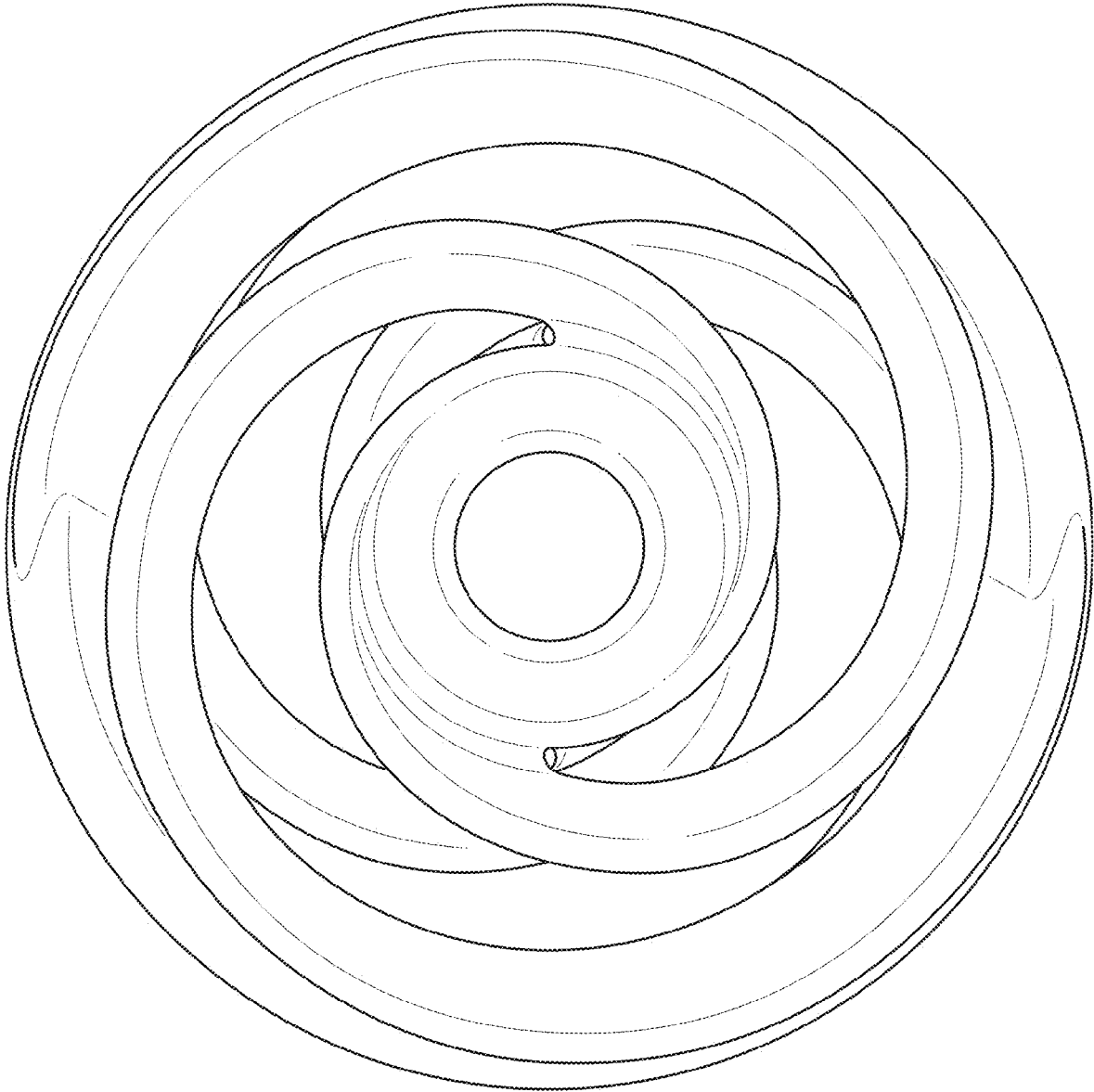


FIG. 6

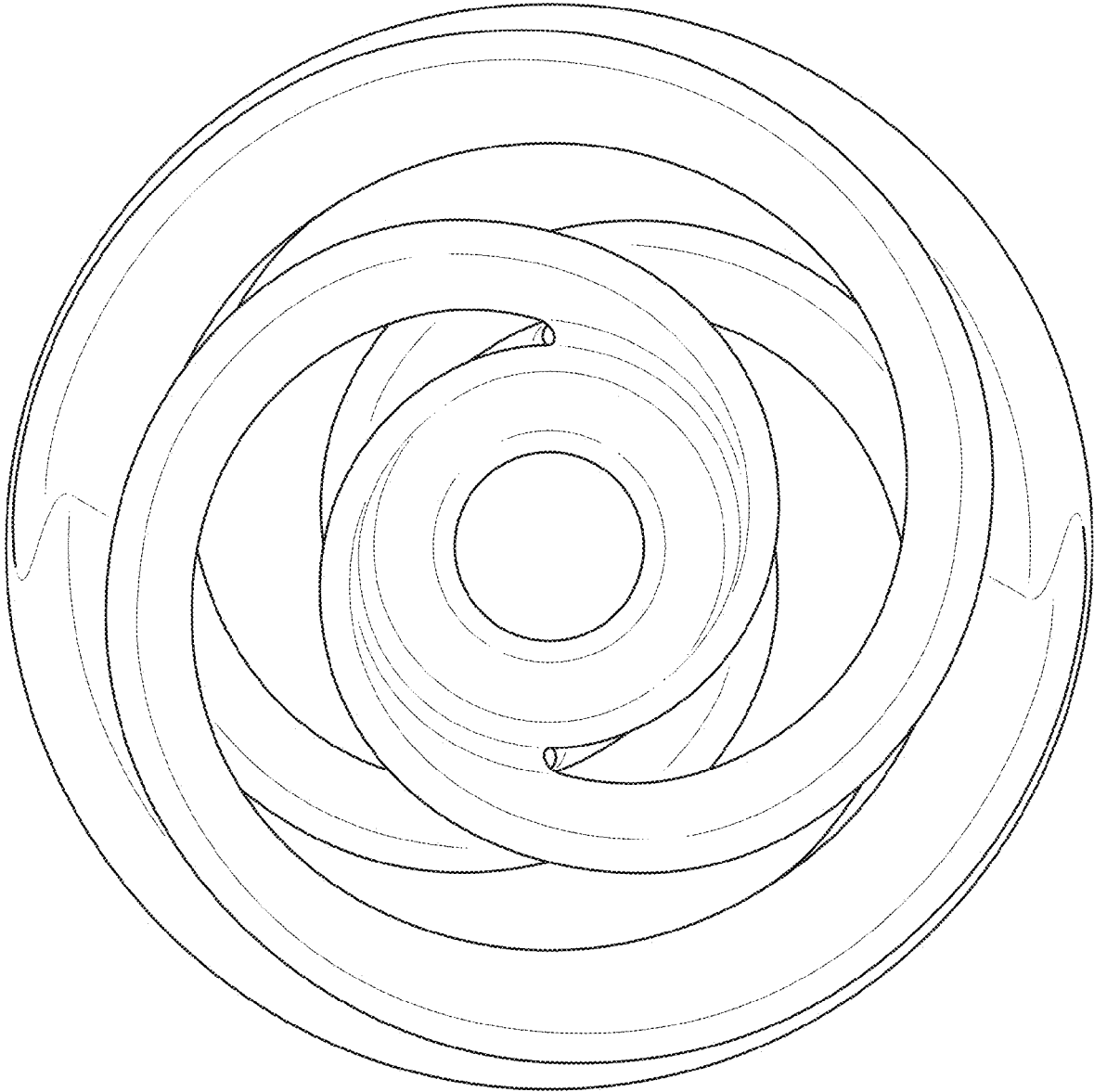


FIG. 7