



US00D707335S

(12) **United States Design Patent**  
**Sullivan**

(10) **Patent No.:** **US D707,335 S**

(45) **Date of Patent:** **\*\* Jun. 17, 2014**

(54) **APPARATUS FOR THE DISPOSAL OF HUMAN REMAINS**

(71) Applicant: **Alexander Sullivan**, Stepps (GB)

(72) Inventor: **Alexander Sullivan**, Stepps (GB)

(73) Assignee: **Resomation Limited** (GB)

(\*\*) Term: **14 Years**

(21) Appl. No.: **29/443,256**

(22) Filed: **Jan. 15, 2013**

(30) **Foreign Application Priority Data**

Oct. 1, 2012 (CA) ..... 147747

(51) **LOC (10) Cl.** ..... **23-01**

(52) **U.S. Cl.**

USPC ..... **D23/329**

(58) **Field of Classification Search**

USPC ..... D23/329, 314, 499; 241/1; 588/317;  
422/184.1

See application file for complete search history.

(56) **References Cited**

U.S. PATENT DOCUMENTS

3,103,017	A *	9/1963	La Mere	.....	4/111.3
2004/0120867	A1 *	6/2004	Dahms et al.	.....	422/184.1
2012/0245402	A1 *	9/2012	Ross	.....	588/317
2013/0178687	A1 *	7/2013	Wilson et al.	.....	588/318

\* cited by examiner

*Primary Examiner* — T. Chase Nelson

*Assistant Examiner* — Ania Aman

(74) *Attorney, Agent, or Firm* — Dickinson Wright PLLC

(57) **CLAIM**

The ornamental design for an apparatus for the disposal of human remains, as shown and described.

**DESCRIPTION**

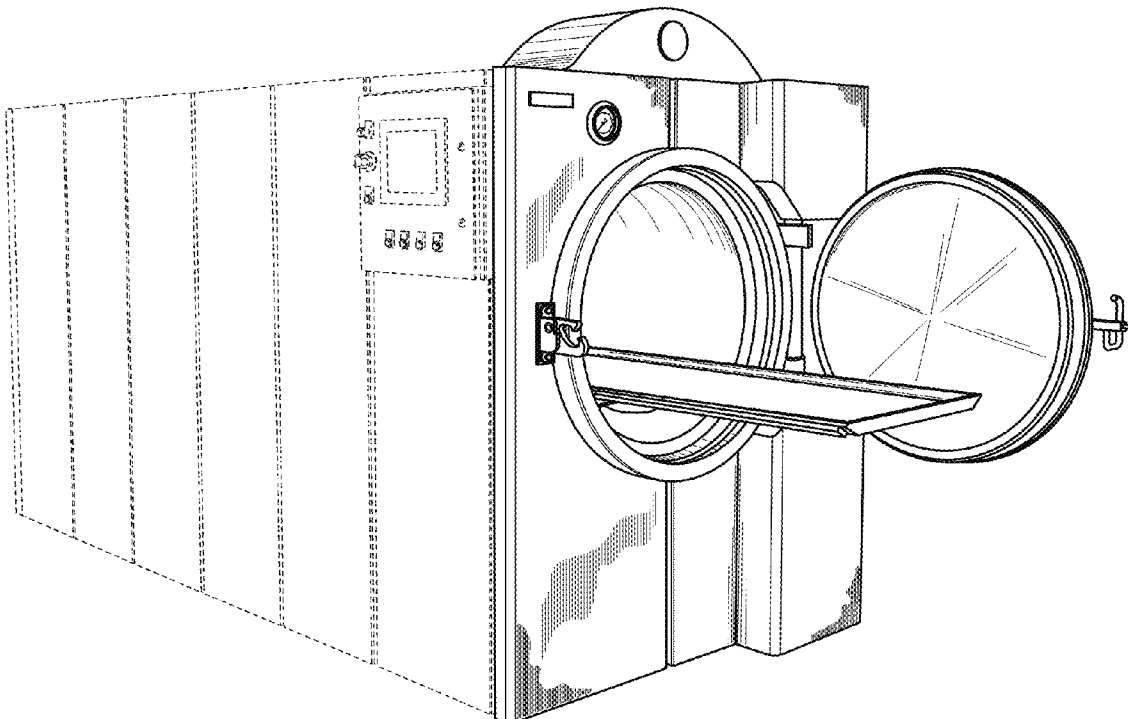
FIG. 1 is a left-front perspective view of the apparatus for the disposal of human remains with the loading door shown in an opened position and the loading tray extended outwardly there from;

FIG. 2 is a front perspective view of the apparatus for the disposal of human remains with the loading door shown in a closed position; and,

FIG. 3 is a right front perspective view of the apparatus for the disposal of human remains with the loading door shown in the closed position.

In the drawings, the broken lines depict unclaimed subject matter only and form no part of the claimed design.

**1 Claim, 3 Drawing Sheets**



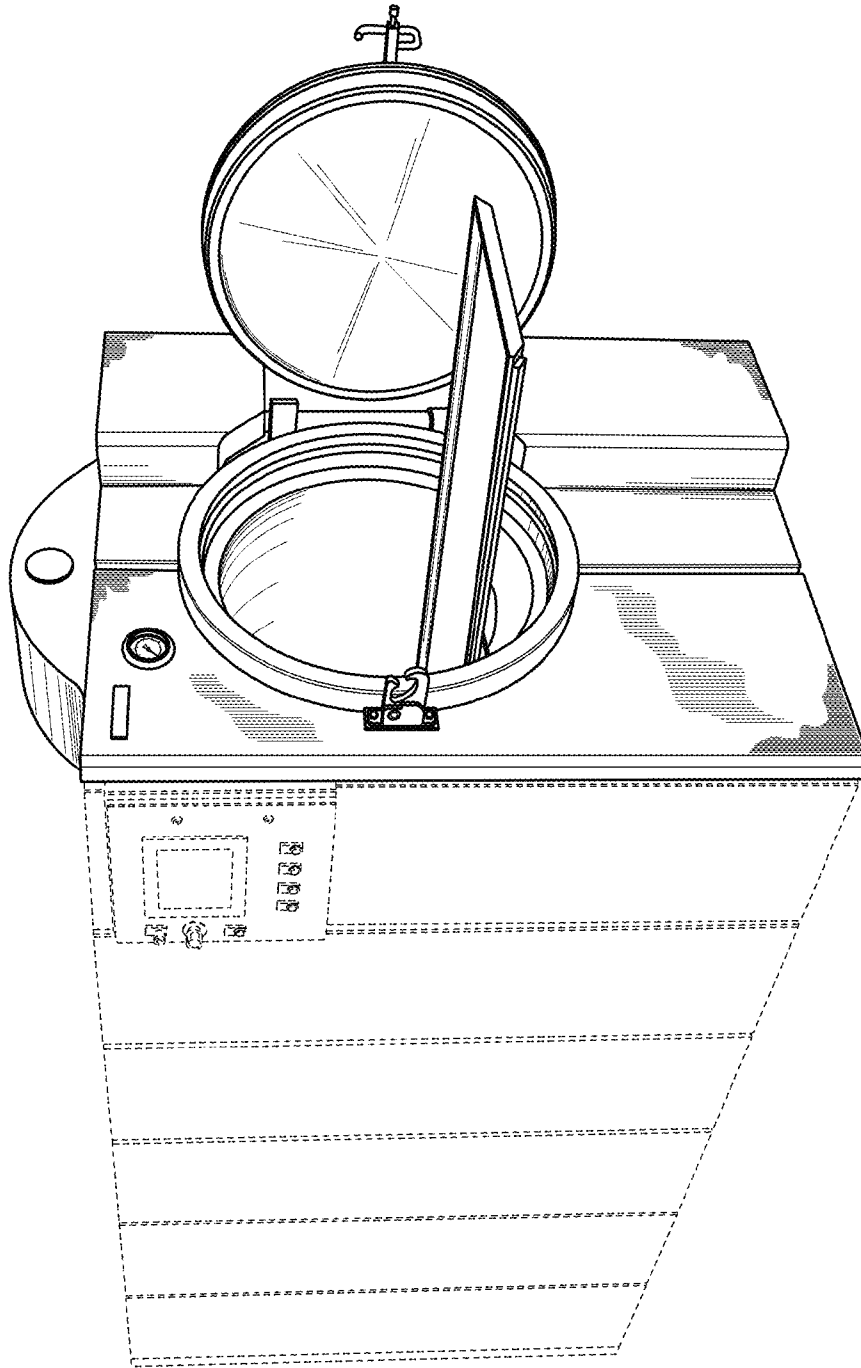


Fig. 1

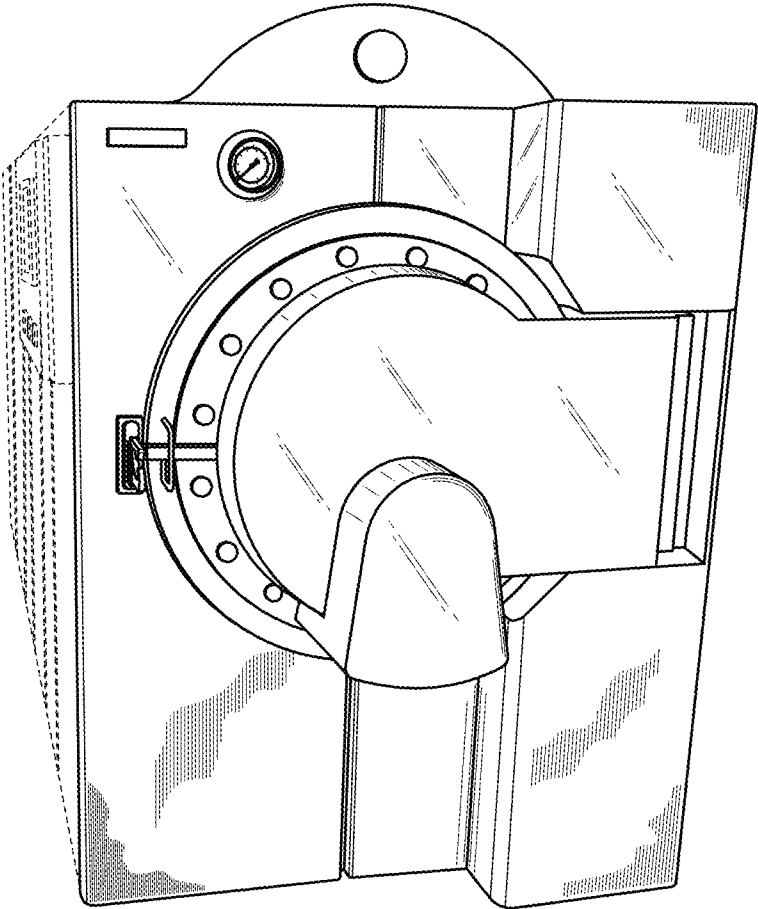


Fig. 2

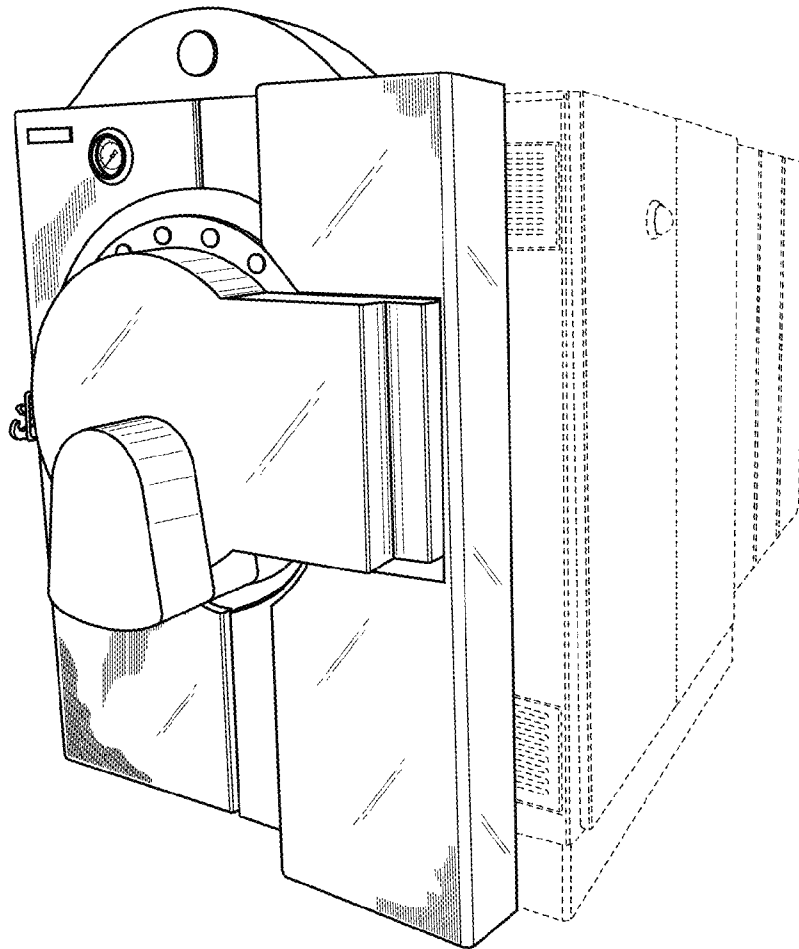


Fig. 3