



US00D842074S

(12) **United States Design Patent**
Cabral Herrera

(10) **Patent No.:** **US D842,074 S**

(45) **Date of Patent:** **** Mar. 5, 2019**

(54) **ELECTRONIC SENSOR AND KEY OPERATED LOCK**

(71) Applicant: **Roberto Abelardo Cabral Herrera**,
Los Angeles, CA (US)

(72) Inventor: **Roberto Abelardo Cabral Herrera**,
Los Angeles, CA (US)

(**) Term: **15 Years**

(21) Appl. No.: **29/617,400**

(22) Filed: **Sep. 13, 2017**

Related U.S. Application Data

(63) Continuation-in-part of application No. 15/380,868,
filed on Dec. 15, 2016, now Pat. No. 9,784,016.

(51) **LOC (11) Cl.** **08-07**

(52) **U.S. Cl.**
USPC **D8/331**

(58) **Field of Classification Search**

USPC D8/330, 331–336, 338, 343, 347; 70/57,
70/57.1, 14, 20–22, 91, 92, 102, 141,
70/237, 272.2, 278.1, 278.7, 279.1, 416,
70/465, 442, 443, 214, 447, 367;
340/542, 547, 545.1, 545.7; 292/336.3,
292/301–304, 358, 359
CPC . E05B 9/00; E05B 9/08; E05B 13/103; E05B
27/00; E05B 35/00; E05B 37/00; E05B
41/00; E05B 49/00; E05B 51/00; E05B
55/00; E05B 65/00; E05B 65/007; E05B
15/0093

See application file for complete search history.

(56) **References Cited**

U.S. PATENT DOCUMENTS

1,126,417 A * 1/1915 Dizmacsek E05B 37/025
70/20
D470,390 S * 2/2003 Ling D8/334
D470,746 S * 2/2003 Gast D8/346

D614,044 S * 4/2010 Mouquet D8/334
D683,611 S * 6/2013 Walter D8/334
D741,143 S * 10/2015 Grainger D8/334
D746,659 S * 1/2016 Stevens D8/334
9,495,820 B1 * 11/2016 Li E05B 67/00
9,556,651 B1 * 1/2017 Cabral Herrera ... E05B 47/0012
9,784,016 B1 * 10/2017 Cabral Herrera ... E05B 47/0012

(Continued)

FOREIGN PATENT DOCUMENTS

EP 0089192 A1 * 9/1983 E05B 37/025
WO WO -2011149424 A1 * 12/2011 E05B 47/006
WO WO-2015090164 A1 * 6/2015 E05B 37/10

Primary Examiner — R. Johnson

(74) *Attorney, Agent, or Firm* — Plager Schack LLP

(57) **CLAIM**

The ornamental design for an electronic sensor and key operated lock, as shown and described.

DESCRIPTION

FIG. 1 is a front, right perspective front view of an electronic sensor and key operated lock showing the new design in accordance with an embodiment;

FIG. 2 is a front view the electronic sensor and key operated lock of FIG. 1;

FIG. 3 is a rear view of the electronic sensor and key operated lock of FIG. 1;

FIG. 4 is a left, side view of the electronic sensor and key operated lock of FIG. 1;

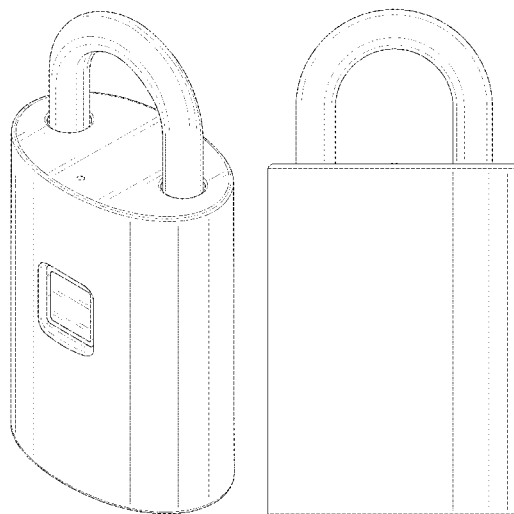
FIG. 5 is a right, side view of the electronic sensor and key operated lock of FIG. 1;

FIG. 6 is top view of the electronic sensor and key operated lock of FIG. 1; and,

FIG. 7 is a bottom view of the electronic sensor and key operated lock of FIG. 1.

The broken lines represent the portions of the electronic sensor and key operated lock that form no part of the claimed design.

1 Claim, 6 Drawing Sheets



(56)

References Cited

U.S. PATENT DOCUMENTS

D813,645 S *	3/2018	Nguyen	D8/334
2007/0126551 A1 *	6/2007	Slevin	E05B 67/00
			340/5.53
2014/0026626 A1 *	1/2014	Lai	E05B 37/0034
			70/21
2014/0366592 A1 *	12/2014	Bao	E05B 37/10
			70/25

* cited by examiner

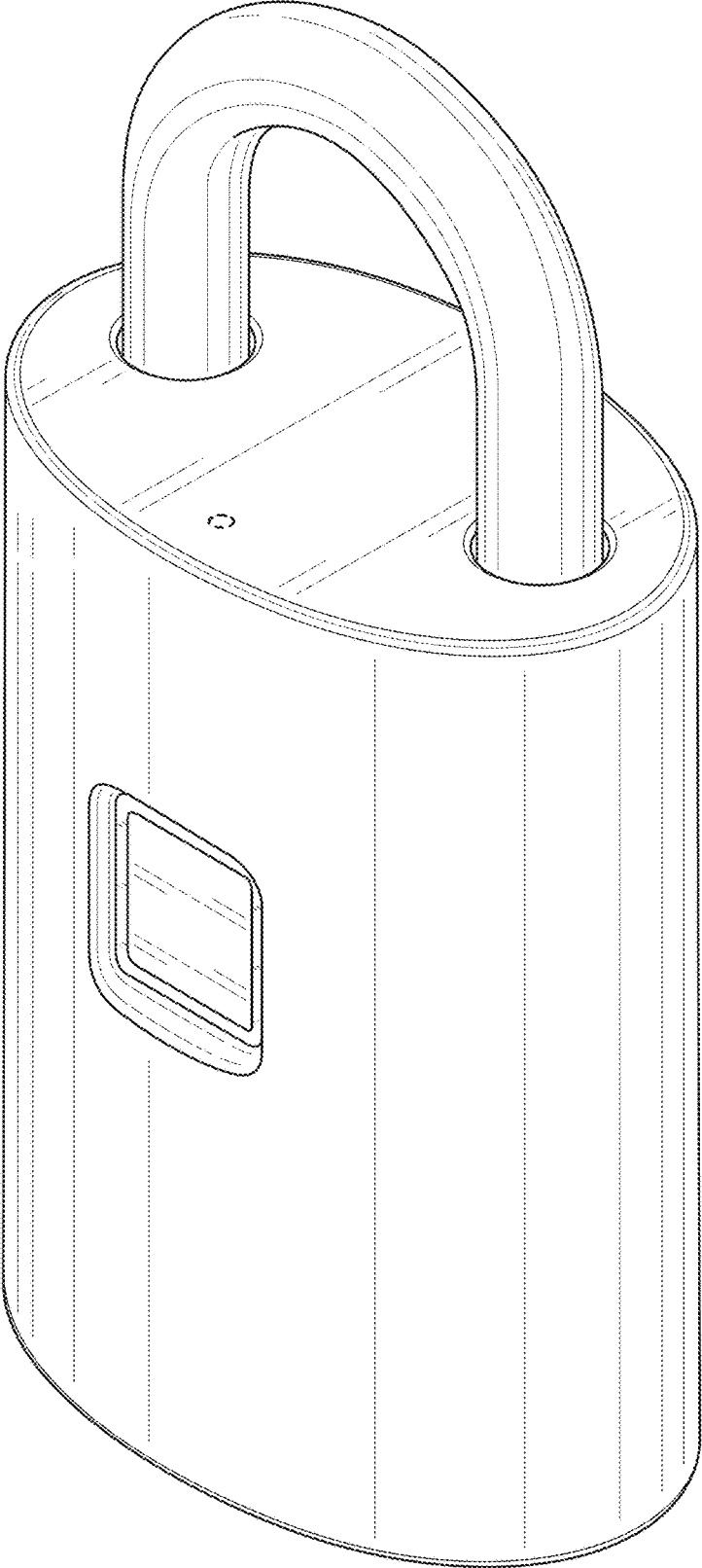


FIG. 1

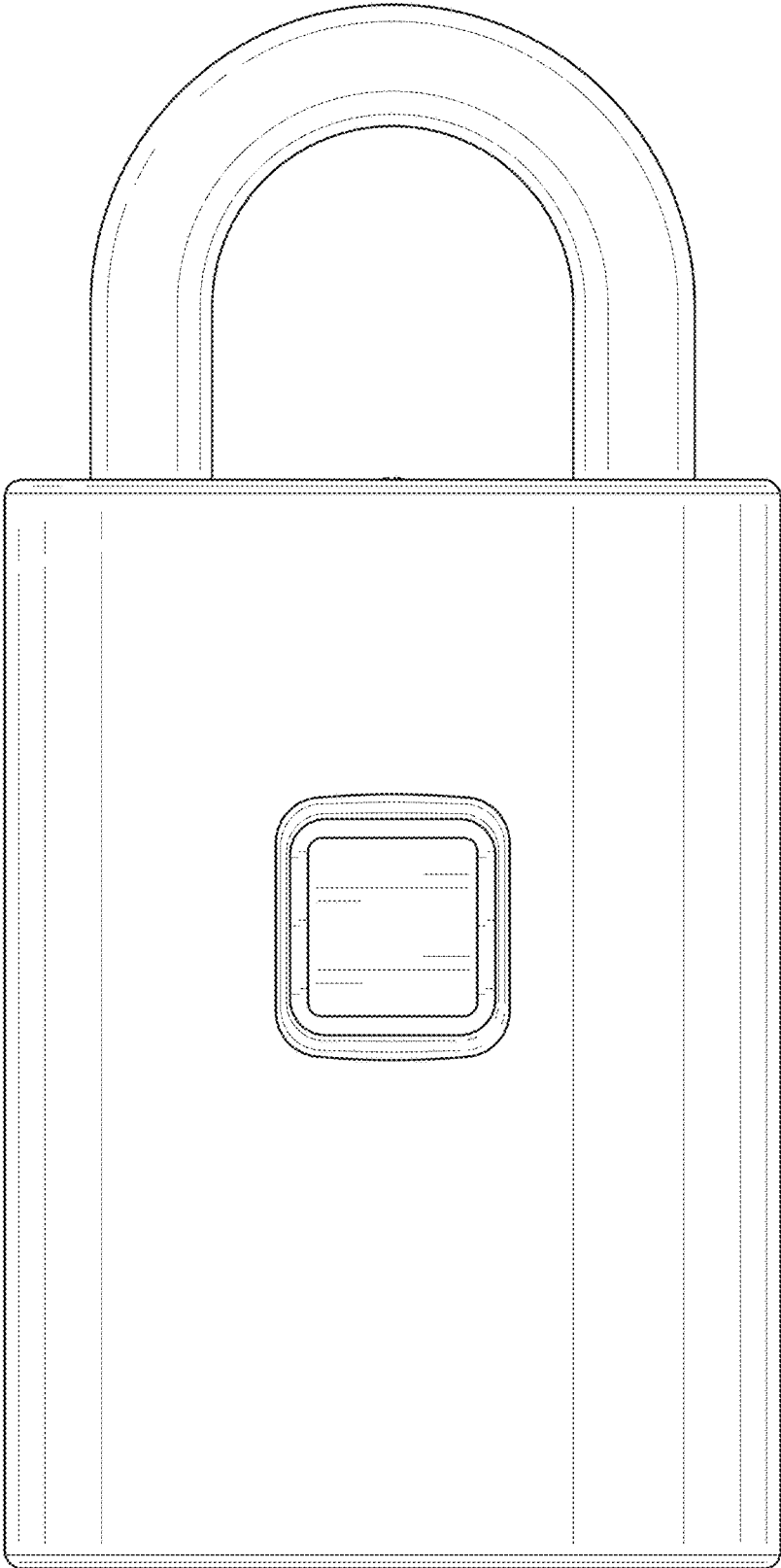


FIG. 2

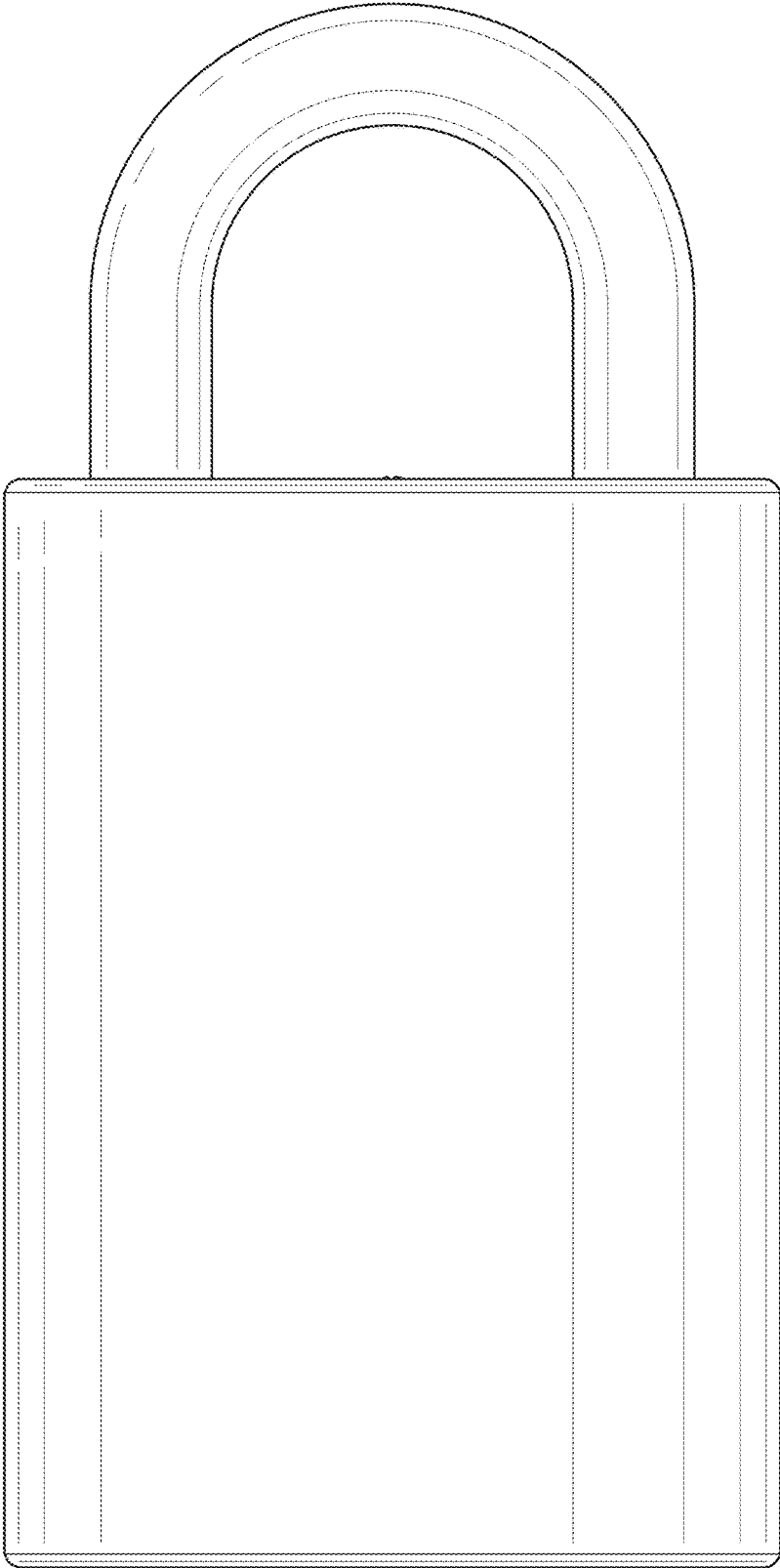


FIG. 3

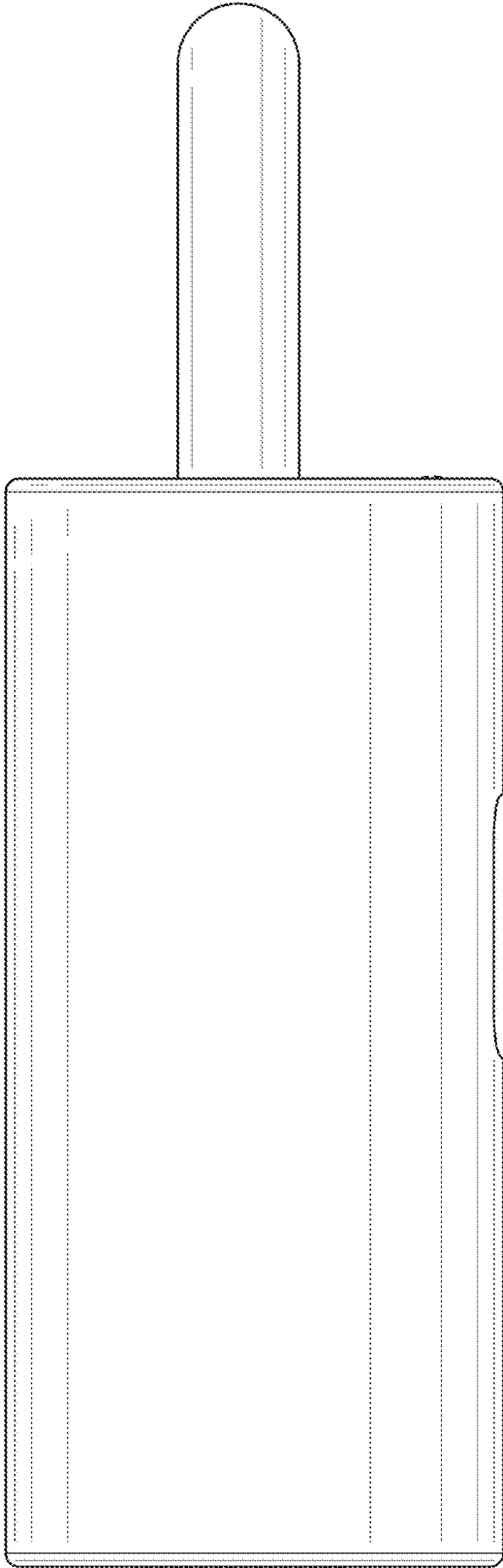


FIG. 4

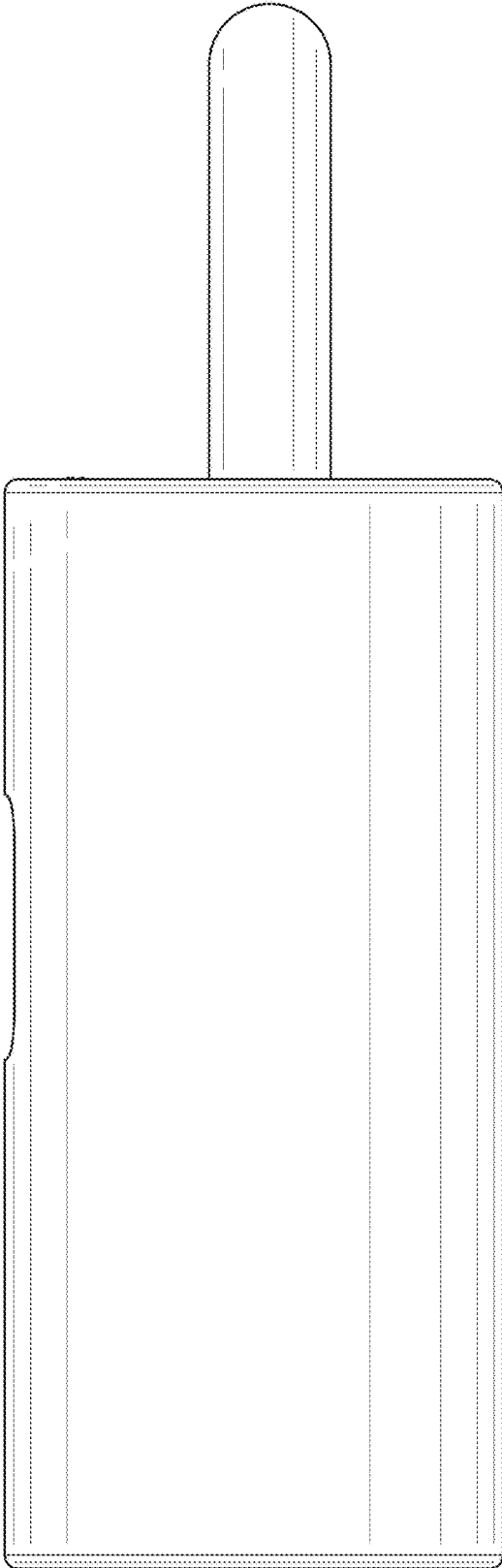


FIG. 5

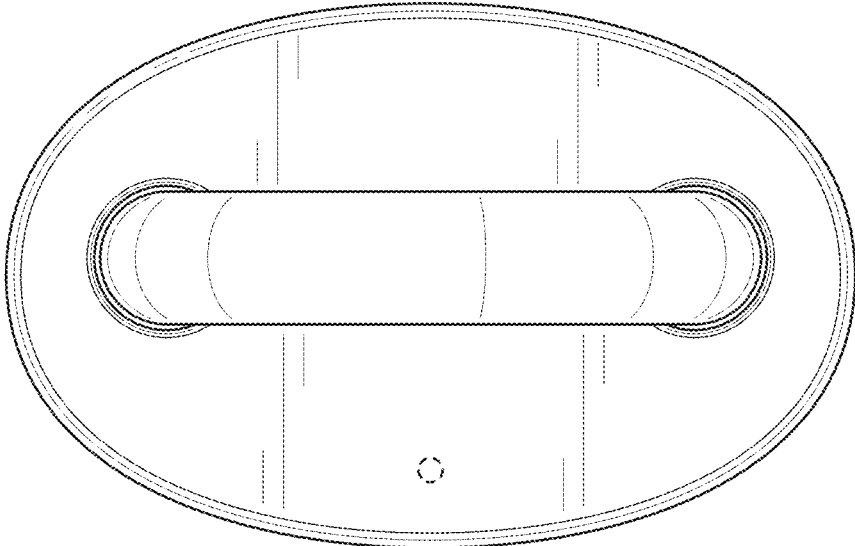


FIG. 6

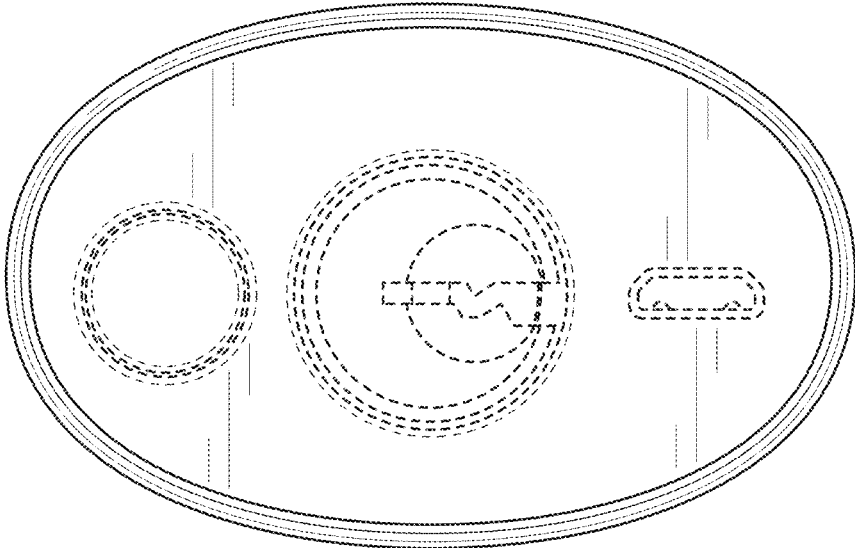


FIG. 7