



(43) International Publication Date  
30 January 2014 (30.01.2014)

- (51) International Patent Classification:  
*B25C 1/18* (2006.01)
- (21) International Application Number:  
PCT/US2013/052102
- (22) International Filing Date:  
25 July 2013 (25.07.2013)
- (25) Filing Language: English
- (26) Publication Language: English
- (30) Priority Data:  
1257198 25 July 2012 (25.07.2012) FR
- (71) Applicant: **ILLINOIS TOOL WORKS INC.** [US/US];  
155 Harlem Avenue, Glenview, Illinois 60025 (US).
- (72) Inventors: **HERELIER, Patrick**; 7 rue du Vigneau, F-  
07300 Saint Jean DeMuzols (FR). **ROUSSON, Ludovic**;  
Quartier La Garenne, F-07210 Saint-Lager-Bressac (FR).
- (74) Agent: **HAUPTMAN, Benjamin J.**; LOWE HAUPTMAN  
HAM & BERNER, LLP, 2318 Mill Road, Suite 1400, Al-  
exandria, Virginia 22314 (US).
- (81) Designated States (*unless otherwise indicated, for every  
kind of national protection available*): AE, AG, AL, AM,  
AO, AT, AU, AZ, BA, BB, BG, BH, BN, BR, BW, BY,  
BZ, CA, CH, CL, CN, CO, CR, CU, CZ, DE, DK, DM,

DO, DZ, EC, EE, EG, ES, FI, GB, GD, GE, GH, GM, GT,  
HN, HR, HU, ID, IL, IN, IS, JP, KE, KG, KN, KP, KR,  
KZ, LA, LC, LK, LR, LS, LT, LU, LY, MA, MD, ME,  
MG, MK, MN, MW, MX, MY, MZ, NA, NG, NI, NO, NZ,  
OM, PA, PE, PG, PH, PL, PT, QA, RO, RS, RU, RW, SC,  
SD, SE, SG, SK, SL, SM, ST, SV, SY, TH, TJ, TM, TN,  
TR, TT, TZ, UA, UG, US, UZ, VC, VN, ZA, ZM, ZW.

(84) Designated States (*unless otherwise indicated, for every  
kind of regional protection available*): ARIPO (BW, GH,  
GM, KE, LR, LS, MW, MZ, NA, RW, SD, SL, SZ, TZ,  
UG, ZM, ZW), Eurasian (AM, AZ, BY, KG, KZ, RU, TJ,  
TM), European (AL, AT, BE, BG, CH, CY, CZ, DE, DK,  
EE, ES, FI, FR, GB, GR, HR, HU, IE, IS, IT, LT, LU, LV,  
MC, MK, MT, NL, NO, PL, PT, RO, RS, SE, SI, SK, SM,  
TR), OAPI (BF, BJ, CF, CG, CI, CM, GA, GN, GQ, GW,  
KM, ML, MR, NE, SN, TD, TG).

**Published:**

- with international search report (Art. 21(3))
- before the expiration of the time limit for amending the  
claims and to be republished in the event of receipt of  
amendments (Rule 48.2(h))

(88) Date of publication of the international search report:  
7 August 2014

(54) Title: INDIRECT FIRING FASTENING TOOL WITH ANTI-FIRING TRIGGER SUPPORT

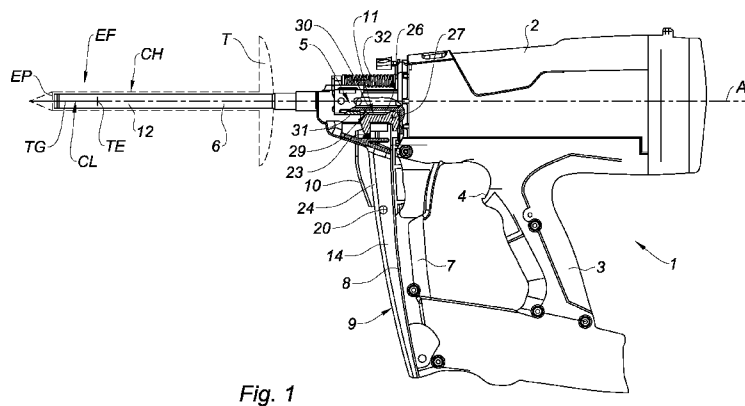


Fig. 1

(57) Abstract: - An indirect firing fastening tool with an anti-firing trigger support. - The tool comprises, in one case (2), an axially movable equipment (5) with a tip guide (6) projecting from the case to drive a fastening member into a support material, a reception housing (8) for a fastener charger and anti-firing safety means (11) to prevent the recoil of the tip guide. Advantageously, an anti-firing trigger (10) support (9) is mounted on said reception housing to convert the tool into a mono-firing tool, the trigger (10) being arranged to cooperate with the anti-firing safety means (11) so as to remove them and authorize firing.

WO 2014/018778 A3

**INTERNATIONAL SEARCH REPORT**

International application No  
PCT/US2013/052102

**A. CLASSIFICATION OF SUBJECT MATTER**  
INV. B25C1/18  
ADD.  
  
According to International Patent Classification (IPC) or to both national classification and IPC

**B. FIELDS SEARCHED**  
Minimum documentation searched (classification system followed by classification symbols)  
B25C

Documentation searched other than minimum documentation to the extent that such documents are included in the fields searched

Electronic data base consulted during the international search (name of data base and, where practicable, search terms used)  
EPO-Internal, WPI Data

**C. DOCUMENTS CONSIDERED TO BE RELEVANT**

Category*	Citation of document, with indication, where appropriate, of the relevant passages	Relevant to claim No.
A	US 6 708 860 B1 (THIELEKE JOACHIM [DE]) 23 March 2004 (2004-03-23) column 3, line 14 - column 5, line 31; figures -----	1,9
A	US 4 821 938 A (HAYTAYAN HARRY M [US]) 18 April 1989 (1989-04-18) column 5, line 44 - column 7; figures -----	1,9
A	US 4 711 385 A (JOCHUM PETER [AT]) 8 December 1987 (1987-12-08) column 3, line 22 - column 4, line 33; figures -----	1,9
A	US 6 543 664 B2 (WOLFBERG ROBERT L [US]) 8 April 2003 (2003-04-08) column 2; figures -----	1,9

Further documents are listed in the continuation of Box C.

See patent family annex.

\* Special categories of cited documents :

"A" document defining the general state of the art which is not considered to be of particular relevance	"T" later document published after the international filing date or priority date and not in conflict with the application but cited to understand the principle or theory underlying the invention
"E" earlier application or patent but published on or after the international filing date	"X" document of particular relevance; the claimed invention cannot be considered novel or cannot be considered to involve an inventive step when the document is taken alone
"L" document which may throw doubts on priority claim(s) or which is cited to establish the publication date of another citation or other special reason (as specified)	"Y" document of particular relevance; the claimed invention cannot be considered to involve an inventive step when the document is combined with one or more other such documents, such combination being obvious to a person skilled in the art
"O" document referring to an oral disclosure, use, exhibition or other means	"&" document member of the same patent family
"P" document published prior to the international filing date but later than the priority date claimed	

Date of the actual completion of the international search  20 May 2014	Date of mailing of the international search report  11/06/2014
--	--

Name and mailing address of the ISA/ European Patent Office, P.B. 5818 Patentlaan 2 NL - 2280 HV Rijswijk Tel. (+31-70) 340-2040, Fax: (+31-70) 340-3016	Authorized officer  David, Radu
--	---------------------------------------

# INTERNATIONAL SEARCH REPORT

Information on patent family members

International application No PCT/US2013/052102
---

Patent document cited in search report	Publication date	Patent family member(s)	Publication date	
US 6708860	B1	23-03-2004	DE 19950349 A1	03-05-2001
			EP 1093890 A2	25-04-2001
			ES 2278586 T3	16-08-2007
			JP 2001138264 A	22-05-2001
			KR 20010050039 A	15-06-2001
			TW 495421 B	21-07-2002
			US 6708860 B1	23-03-2004
US 4821938	A	18-04-1989	AU 615049 B2	19-09-1991
			AU 3287089 A	05-07-1989
			AU 7933491 A	03-10-1991
			AU 7933591 A	12-09-1991
			EP 0341307 A1	15-11-1989
			JP H02502360 A	02-08-1990
			US 4821938 A	18-04-1989
WO 8905214 A2	15-06-1989			
US 4711385	A	08-12-1987	DE 3540953 A1	21-05-1987
			EP 0223740 A2	27-05-1987
			JP H0626797 B2	13-04-1994
			JP S62120985 A	02-06-1987
			US 4711385 A	08-12-1987
US 6543664	B2	08-04-2003	AU 765980 B2	09-10-2003
			AU 1868702 A	05-12-2002
			CA 2367767 A1	16-09-2002
			EP 1240982 A2	18-09-2002
			NZ 517476 A	29-08-2003
			US 2002130154 A1	19-09-2002