



US00D348360S

United States Patent [19]

[11] Patent Number: **Des. 348,360**

Abbott et al.

[45] Date of Patent: **** Jul. 5, 1994**

[54] **MULTI-USE TABLE**

4,076,305	2/1978	Sullivan	297/157
4,740,032	4/1988	Olsen et al.	297/159
4,834,450	5/1989	Stickler	297/157

[76] Inventors: **Cody Abbott**, 3104 Perkins Rd., Urbana, Ill. 61801; **David Bruns**, 321 Walnut; **Jan Huffman**, 1515 Clay St., both of Cedar Falls, Iowa 50613

FOREIGN PATENT DOCUMENTS

988168	of 1951	France .
1053581	of 1954	France .

[**] Term: **14 Years**

Primary Examiner—Alan P. Douglas
Assistant Examiner—Monica A. Hannon
Attorney, Agent, or Firm—Terry M. Gernstein

[21] Appl. No.: **703,144**

[22] Filed: **May 9, 1991**

[52] U.S. Cl. **D6/337; D6/335**

[57] **CLAIM**

[58] Field of Search **D6/334, 335, 336, 337, D6/349, 480, 482; 108/50, 59, 101, 111; 297/157, 159**

The ornamental design for a multi-use table, as shown and described.

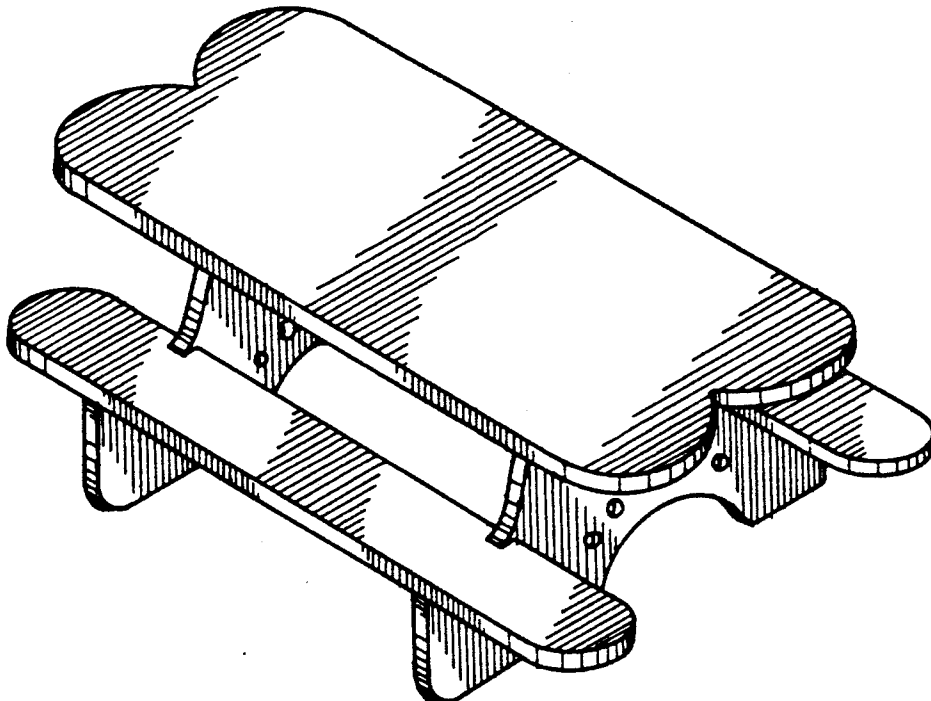
DESCRIPTION

[56] **References Cited**

U.S. PATENT DOCUMENTS

D. 171,751	3/1954	Curtis	297/157 X
D. 233,191	10/1974	Turner et al.	D6/337
D. 282,775	2/1986	Floyd, Jr.	D6/482 X
D. 295,123	4/1988	Roberson .	
2,217,576	10/1940	Weber .	
2,991,829	7/1961	Post .	

FIG. 1 is a perspective view of the multi-use table embodying the design of the present invention; FIG. 2 is a front elevational view thereof, the rear being a mirror image of the front shown in FIG. 2; FIG. 3 is a side elevational view thereof, the side opposite being a mirror image of the side shown in FIG. 3; FIG. 4 is a top plan view thereof; and, FIG. 5 is a bottom view thereof.



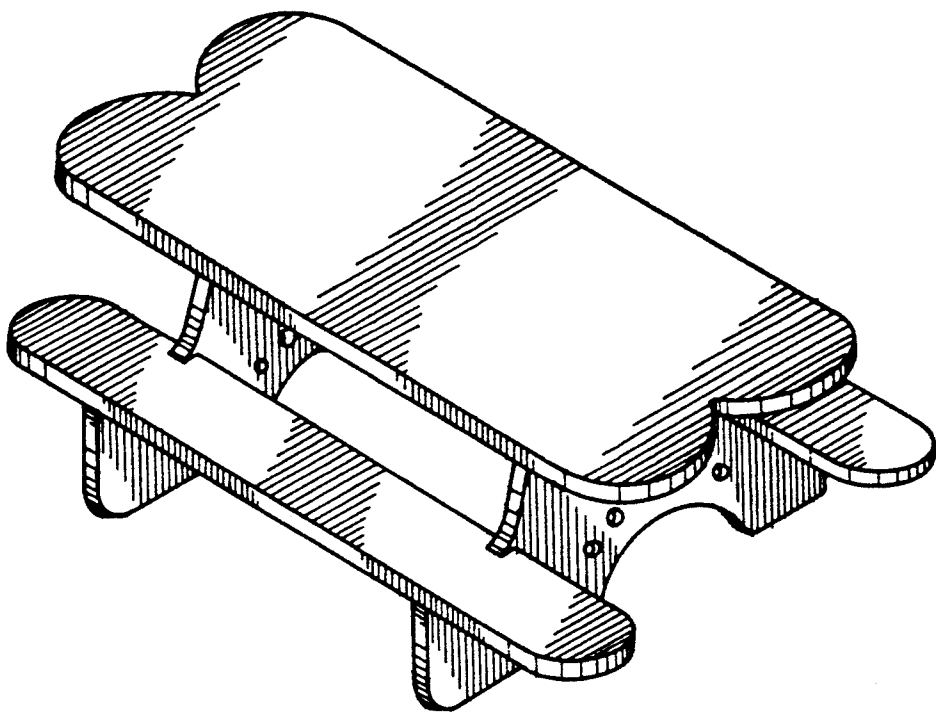


FIG. 1.

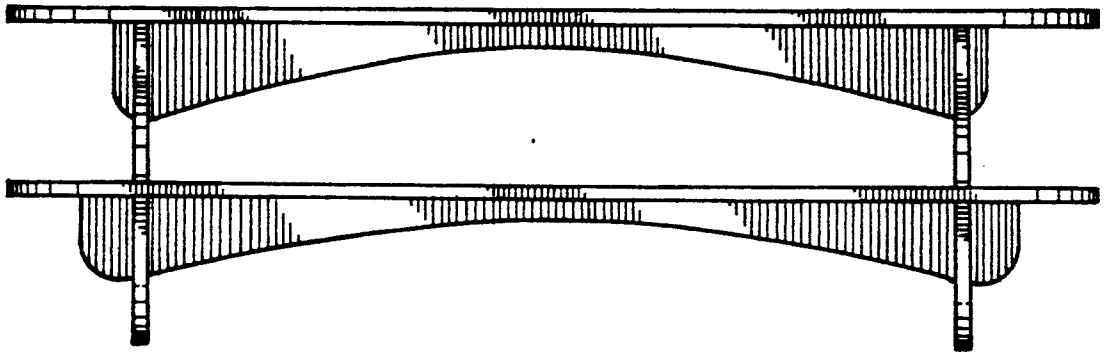


FIG. 2.

FIG. 3.

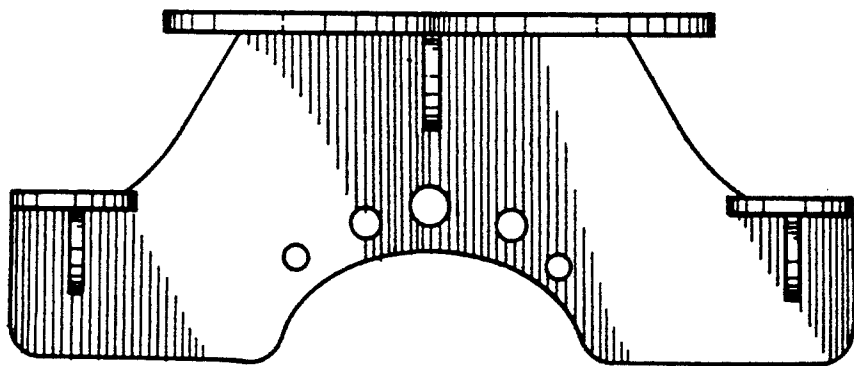


FIG. 4.

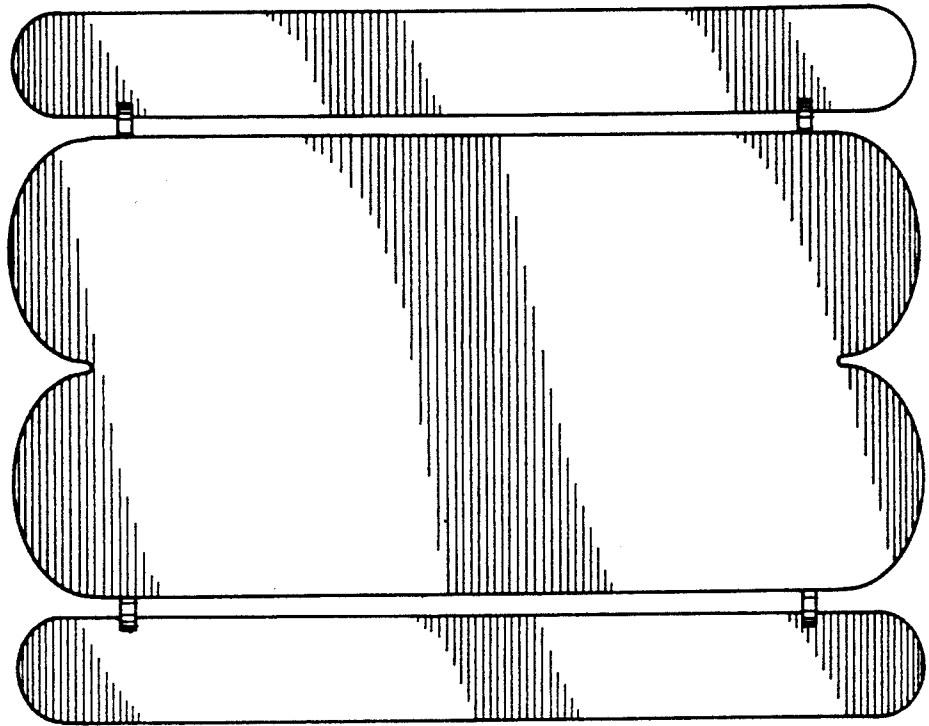


FIG. 5.

