



US00D729068S

(12) **United States Design Patent**
Oberlender

(10) **Patent No.:** **US D729,068 S**

(45) **Date of Patent:** **** *May 12, 2015**

- (54) **BOX**
- (71) Applicant: **Brian Oberlender**, Miramar, FL (US)
- (72) Inventor: **Brian Oberlender**, Miramar, FL (US)
- (*) Notice: This patent is subject to a terminal disclaimer.
- (**) Term: **14 Years**
- (21) Appl. No.: **29/447,061**
- (22) Filed: **Feb. 28, 2013**

Related U.S. Application Data

- (63) Continuation-in-part of application No. 29/431,386, filed on Sep. 6, 2012.
- (51) **LOC (10) CI.** **09-01**
- (52) **U.S. CI.**
USPC **D9/529**; D9/519; D9/553; D9/559;
D9/566; D9/573; D9/452; D9/454
- (58) **Field of Classification Search**
USPC D9/516, 529, 538-539, 545-546,
D9/553-554, 559, 560, 563, 566-567, 572,
D9/574, 451, 452, 454; 215/370, 371, 379,
215/381-383
See application file for complete search history.

References Cited

U.S. PATENT DOCUMENTS

D85,363 S	*	10/1931	Beits	D9/529
D89,141 S	*	1/1933	Wilson	D9/559
D97,681 S	*	12/1935	Larsen	D9/566 X
D242,738 S	*	12/1976	Michaeli	D26/136
4,248,901 A	*	2/1981	Austin	220/4.27 X
D304,298 S	*	10/1989	Bannister	D9/559 X
D306,400 S	*	3/1990	Beier-Rosetti	D9/546

D306,694 S	*	3/1990	Beier-Rosetti	D9/559 X
D316,669 S	*	5/1991	Young	D9/651
D332,721 S	*	1/1993	Jauhal et al.	D7/354
D340,882 S	*	11/1993	Holtkamp, Jr.	D11/164
D365,516 S	*	12/1995	Williamson	D9/651
D367,626 S	*	3/1996	Shryock	D11/164
D368,444 S	*	4/1996	Shryock	D11/164
D434,325 S	*	11/2000	Jivago	D9/651
D477,227 S	*	7/2003	Goswell	D9/529 X
D519,845 S	*	5/2006	Ortiz	D9/559 X
D531,912 S	*	11/2006	Antretter	D9/546
D543,848 S	*	6/2007	Mettler et al.	D9/551 X
D565,410 S	*	4/2008	Canamasas Puigbo	D9/454
D573,026 S	*	7/2008	Tsai	D9/529 X
D584,950 S	*	1/2009	Courtaigne Delalande	...	D9/574 X
D656,829 S	*	4/2012	Watabe	D9/452 X

* cited by examiner

Primary Examiner — Carol P Rademaker

(74) *Attorney, Agent, or Firm* — Mayback & Hoffman, P.A.; Gregory L. Mayback

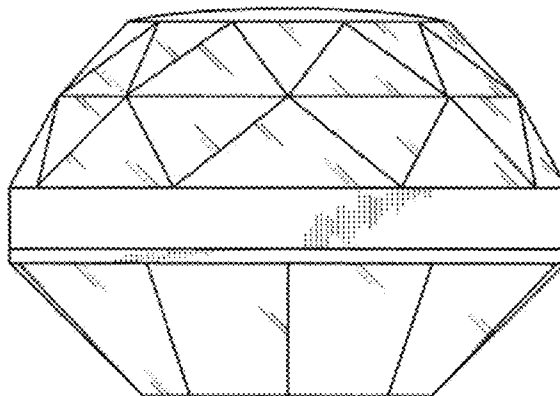
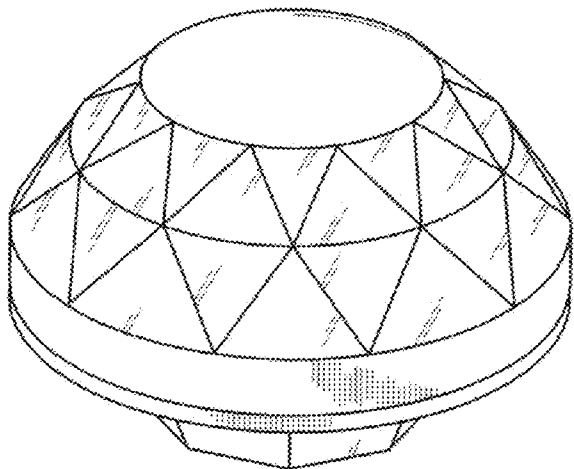
(57) **CLAIM**

The ornamental design for a box, as shown and described.

DESCRIPTION

FIG. 1 is a top, front perspective view of a box according to the present invention;
 FIG. 2 is a top plan view thereof;
 FIG. 3 is a bottom plan view thereof;
 FIG. 4 is a front elevational view thereof;
 FIG. 5 is a rear elevational view thereof;
 FIG. 6 is a right side elevational view thereof; and,
 FIG. 7 is a left side elevational view thereof.
 The broken lines showing a central portion of the bottom surface are included for the purpose of illustrating environmental structure and forms not part of the claimed design.

1 Claim, 2 Drawing Sheets



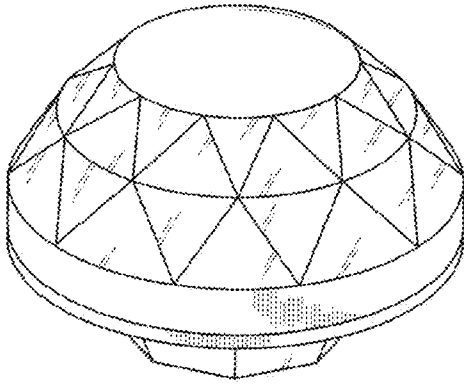


FIG. 1

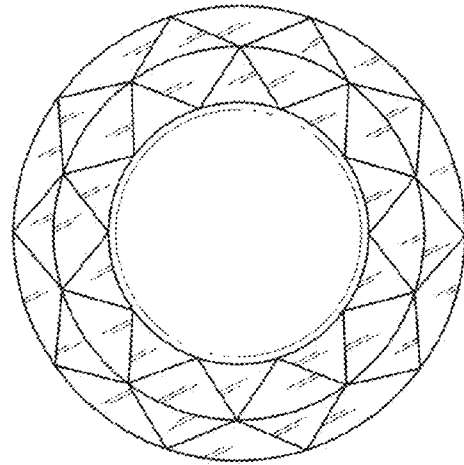


FIG. 2

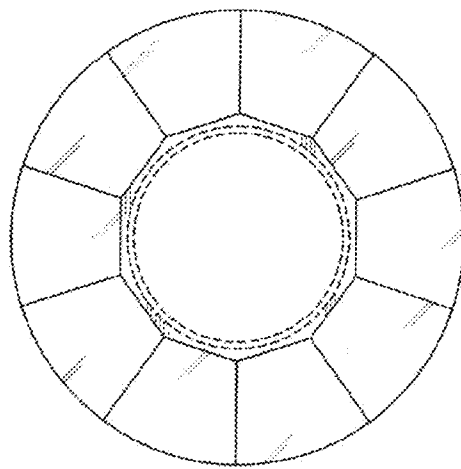


FIG. 3

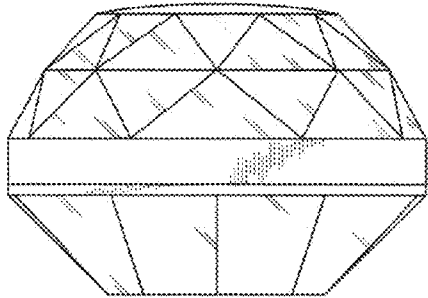


FIG. 4

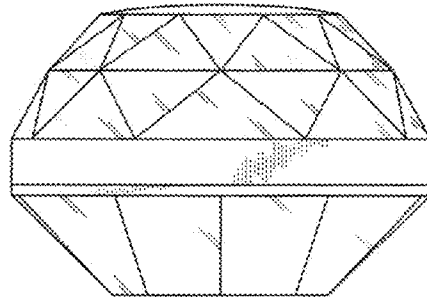


FIG. 5

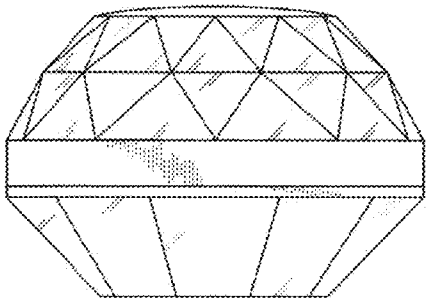


FIG. 6

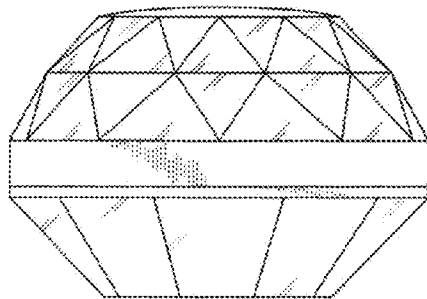


FIG. 7