



(12) **United States Design Patent**  
**Green et al.**

(10) **Patent No.:** **US D910,757 S**  
(45) **Date of Patent:** **\*\* Feb. 16, 2021**

(54) **RECREATIONAL TOSSING GAME SET**

(71) Applicants: **Ricky Green**, Sharpsburg, GA (US);  
**Tracy Green**, Sharpsburg, GA (US)

(72) Inventors: **Ricky Green**, Sharpsburg, GA (US);  
**Tracy Green**, Sharpsburg, GA (US)

(\*\*) Term: **15 Years**

(21) Appl. No.: **29/677,240**

(22) Filed: **Jan. 18, 2019**

(51) **LOC (13) Cl.** ..... **21-01**

(52) **U.S. Cl.**  
USPC ..... **D21/303**

(58) **Field of Classification Search**  
USPC ..... D21/300, 301, 302, 303, 304, 318, 319,  
D21/334, 335, 336, 341, 342, 343, 365,  
D21/379, 385, 386, 390, 396, 699, 789,  
D21/790, 791, 793, 794, 397; D23/201,  
D23/213, 214; D6/302, 309, 310, 312,  
D6/332; 273/317, 317.1, 317.5, 342  
CPC ..... A63B 67/00; A63B 71/00; A63B 63/00;  
A63B 63/08; A63B 67/06  
See application file for complete search history.

D873,347 S \* 1/2020 Mauro ..... D21/303  
2010/0058958 A1\* 3/2010 Christian ..... A47B 87/002  
108/19  
2010/0176554 A1\* 7/2010 Godwin ..... A63B 71/0036  
273/338  
2011/0278796 A1\* 11/2011 Baculy ..... A63B 67/06  
273/336  
2012/0043723 A1\* 2/2012 Rakes ..... A63B 63/00  
273/407  
2012/0235356 A1\* 9/2012 Weiss ..... A63F 1/04  
273/398

(Continued)

**OTHER PUBLICATIONS**

“How to build a regulation cornhole set”, published 2020, [Retrieved May 6, 2020] from internet: <https://www.diynetwork.com/how-to/outdoors/structures/how-to-build-a-regulation-cornhole-set>.\*

*Primary Examiner* — Sandra Snapp  
*Assistant Examiner* — Mehri Bajoul  
(74) *Attorney, Agent, or Firm* — Boudwin Intellectual Property; Daniel Boudwin

(57) **CLAIM**

The ornamental design for a recreational tossing game set, as shown and described.

(56) **References Cited**

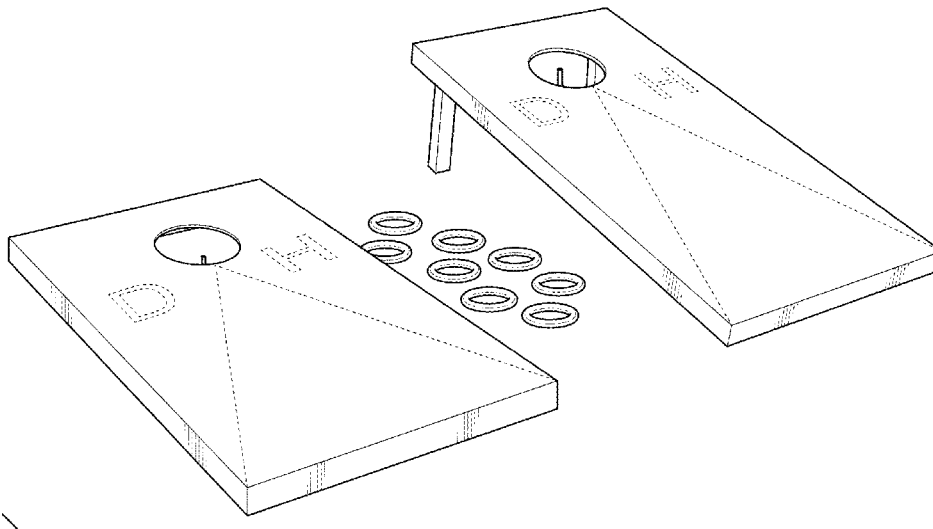
**U.S. PATENT DOCUMENTS**

D288,828 S \* 3/1987 Romestan ..... D21/304  
5,354,067 A \* 10/1994 Junemann ..... A63B 67/06  
273/371  
D370,032 S \* 5/1996 Bidwell ..... D21/304  
5,871,216 A 2/1999 Sparacino  
D478,357 S \* 8/2003 Penna ..... D21/304  
7,607,666 B1 \* 10/2009 Studier ..... A63B 63/00  
116/222  
D635,197 S \* 3/2011 Pryor ..... D21/303  
D645,520 S \* 9/2011 Dahl ..... D21/303  
8,127,689 B2 3/2012 Christian et al.  
8,915,498 B2 12/2014 Hynds  
D827,031 S \* 8/2018 Valladares ..... D21/303  
10,226,675 B2 \* 3/2019 Wilder ..... A63B 67/06

**DESCRIPTION**

FIG. 1 is a perspective view of a recreational tossing game set;  
FIG. 2 shows a front view thereof;  
FIG. 3 shows a rear view thereof;  
FIG. 4 shows a top plan view thereof;  
FIG. 5 shows a bottom plan view thereof;  
FIG. 6 shows a left side view thereof; and,  
FIG. 7 shows a right side view thereof.  
The broken lines shown in the Figures show portions of the recreational tossing game set which form no part of the claimed design.

**1 Claim, 5 Drawing Sheets**



(56)

**References Cited**

U.S. PATENT DOCUMENTS

2013/0082442	A1*	4/2013	Hanel .....	A63B 63/00 273/398
2014/0151963	A1*	6/2014	Bennett .....	A63B 67/06 273/348
2017/0014704	A1*	1/2017	Bell .....	A63B 67/06
2017/0138586	A1*	5/2017	Finch .....	F21S 4/22
2017/0259143	A1*	9/2017	Ramnarine .....	A63B 63/08
2018/0056155	A1*	3/2018	McAuley .....	A63B 67/02
2018/0085649	A1*	3/2018	O'Neill .....	A63B 65/00

\* cited by examiner

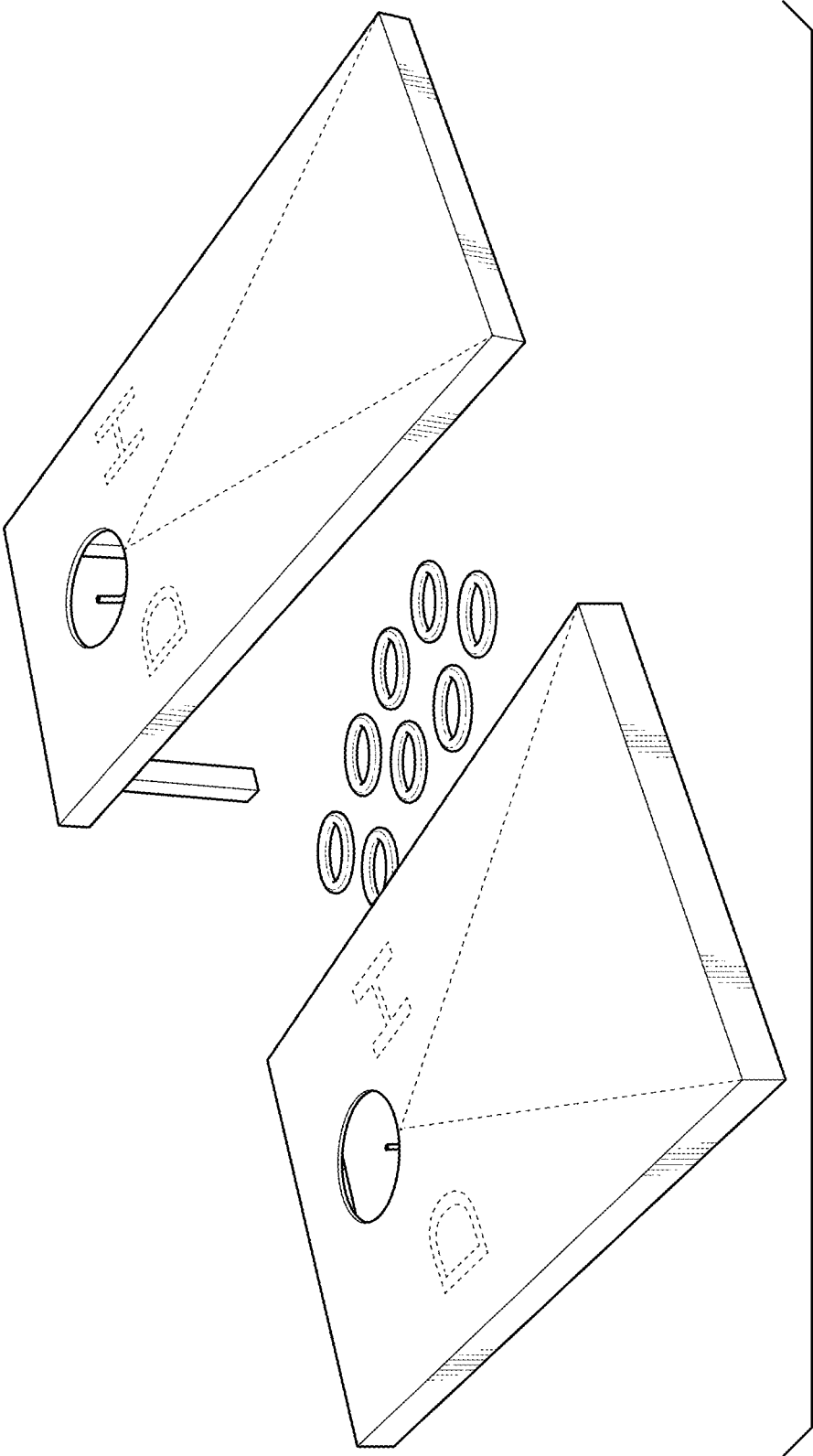


FIG. 1

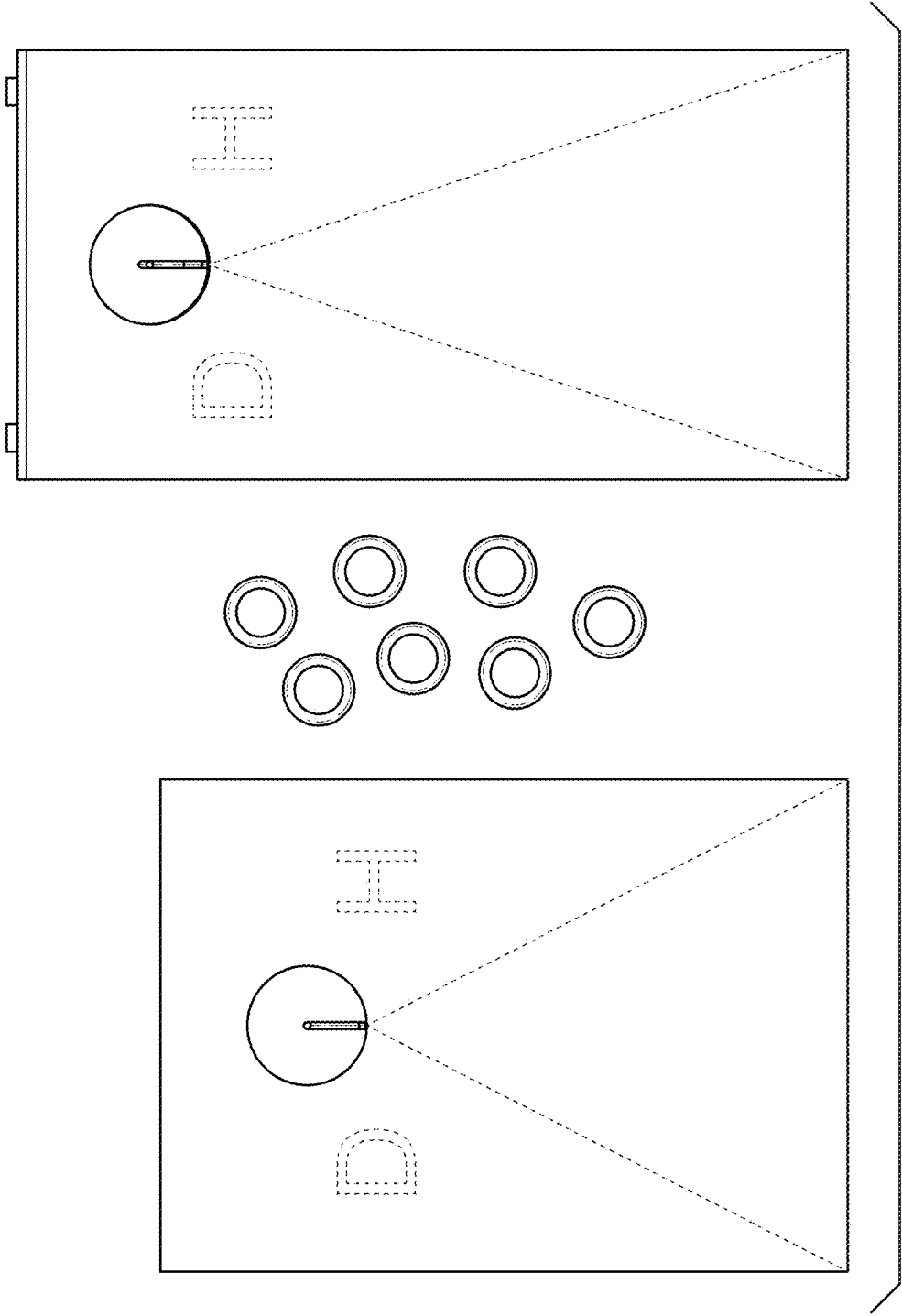


FIG. 2

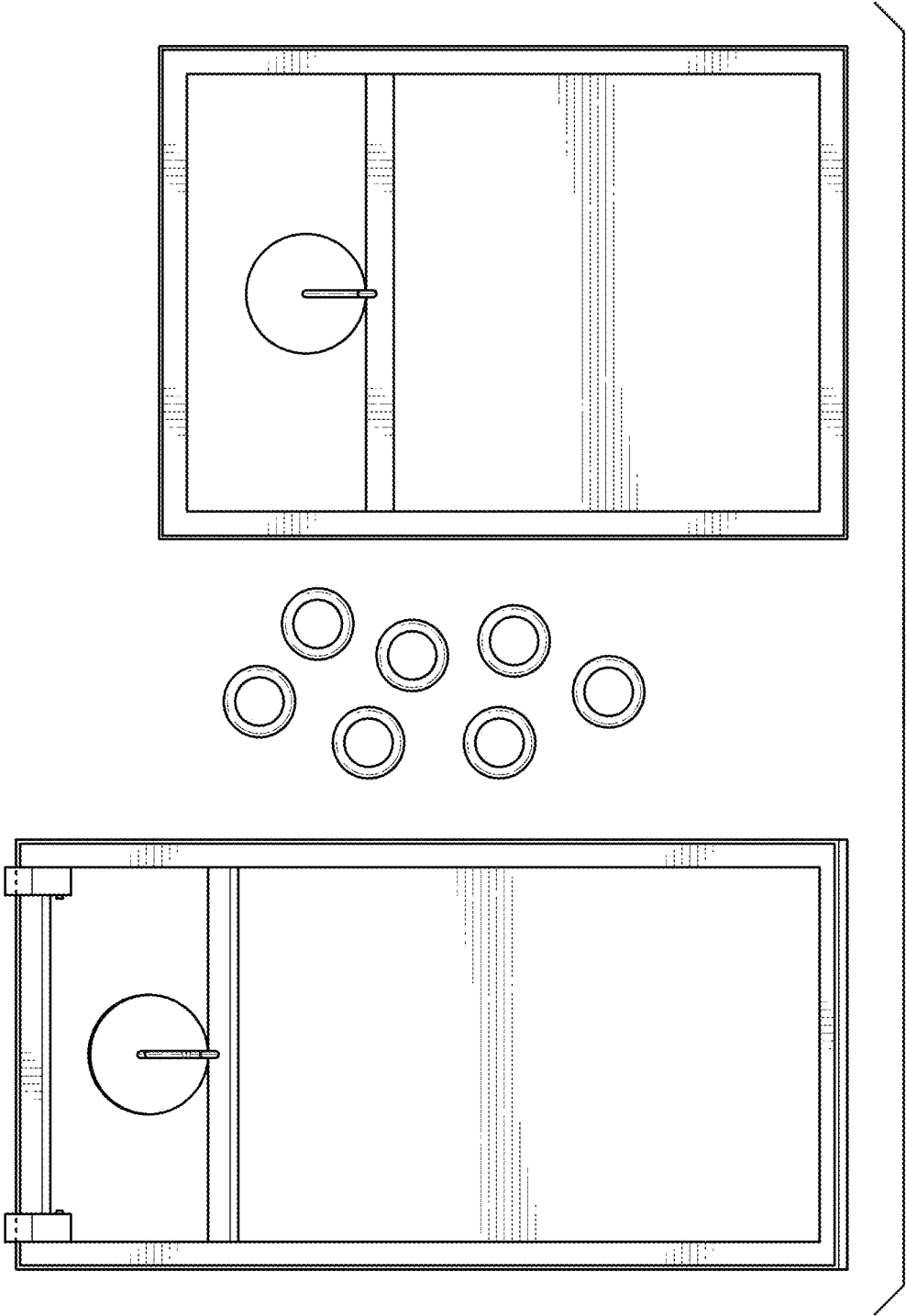


FIG. 3

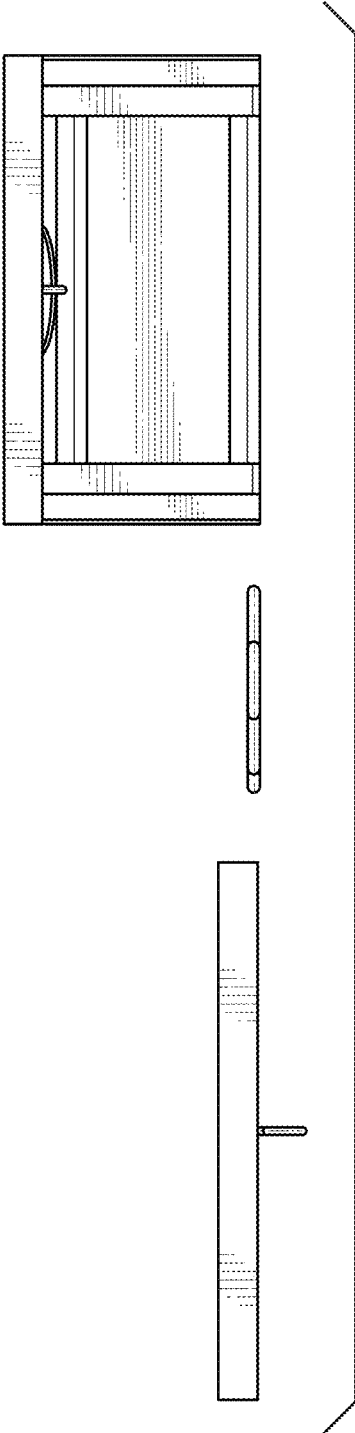


FIG. 4

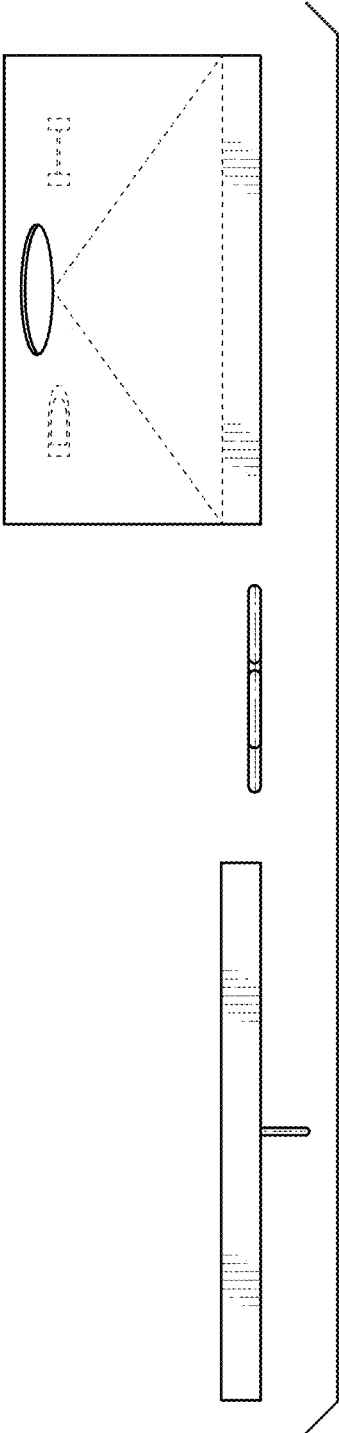


FIG. 5

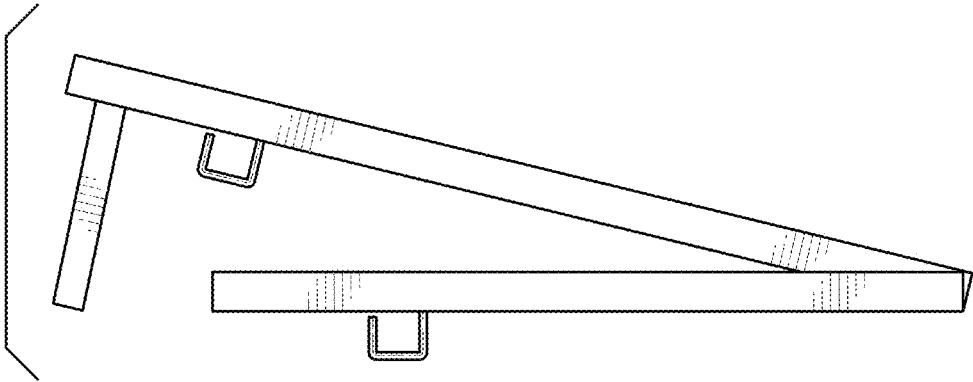


FIG. 6

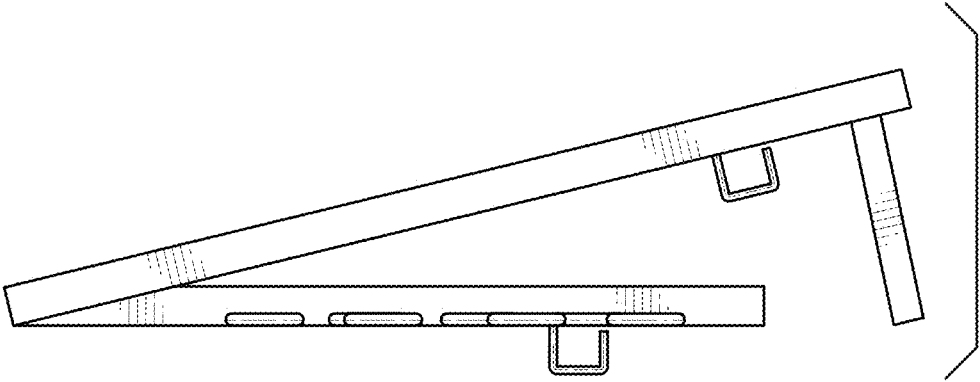


FIG. 7