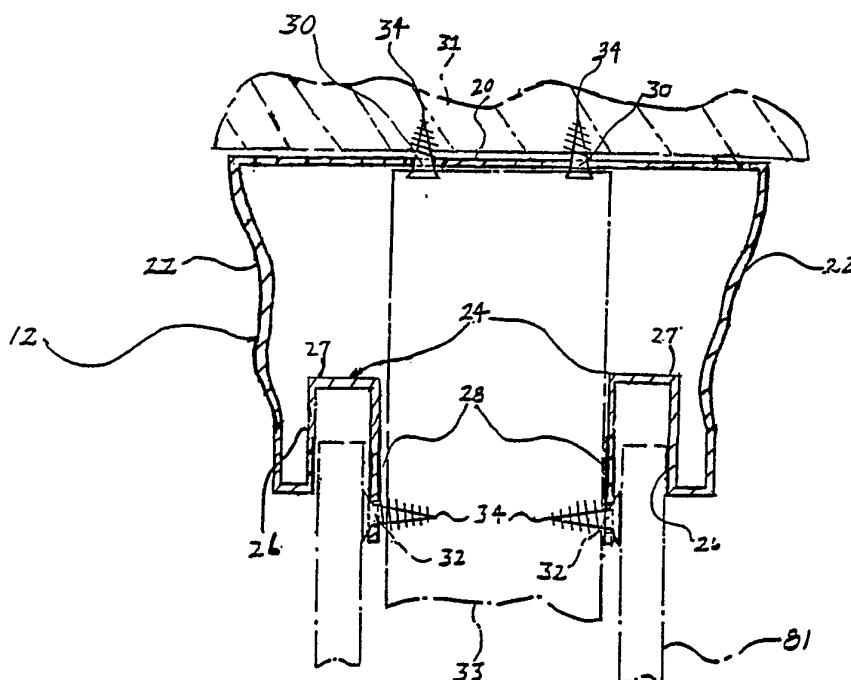




INTERNATIONAL APPLICATION PUBLISHED UNDER THE PATENT COOPERATION TREATY (PCT)

<p>(51) International Patent Classification ⁵ : E04B 2/82</p>	<p>A1</p>	<p>(11) International Publication Number: WO 91/02857 (43) International Publication Date: 7 March 1991 (07.03.91)</p>
<p>(21) International Application Number: PCT/CA90/00268 (22) International Filing Date: 21 August 1990 (21.08.90) (30) Priority data: 396,971 22 August 1989 (22.08.89) US (71)(72) Applicants and Inventors: GREENWOOD, Frank, D. [CA/CA]; 400 Keetin Avenue, Toronto, Ontario M4P 2A5 (CA). KOBIELSKI, Kazimir [CA/CA]; 24 Dustan Crescent, Toronto, Ontario M4J 4G5 (CA). (74) Agent: HANLEY, Lewis, E.; Smart & Biggar, 439 University Avenue, Suite 2300, Toronto, Ontario M5G 1Y8 (CA).</p>		<p>(81) Designated States: AT (European patent), AU, BB, BE (European patent), BF (OAPI patent), BG, BJ (OAPI patent), BR, CF (OAPI patent), CG (OAPI patent), CH (European patent), CM (OAPI patent), DE (European patent)*, DK (European patent), ES, ES (European patent), FI, FR (European patent), GA (OAPI patent), GB (European patent), HU, IT (European patent), JP, KP, KR, LK, LU (European patent), MC, MG, ML (OAPI patent), MR (OAPI patent), MW, NL (European patent), NO, RO, SD, SE (European patent), SN (OAPI patent), SU, TD (OAPI patent), TG (OAPI patent).</p> <p>Published <i>With international search report.</i></p>

(54) Title: DRYWALL CONSTRUCTION



(57) Abstract

An interior wall mounting device comprising an elongated element having a base plate (20) and at least one side flange (22) projecting laterally from the base plate. The free edge of the side flange is turned inwardly to form a channel opening (24) in a direction normal to the base plate and outwardly therefrom. The channel is adapted to have a plurality of studs (33) securable laterally to the channel and shaped to receive the edge of a planar sheet (81) securable against the studs to form a wall.

DESIGNATIONS OF "DE"

Until further notice, any designation of "DE" in any international application whose international filing date is prior to October 3, 1990, shall have effect in the territory of the Federal Republic of Germany with the exception of the territory of the former German Democratic Republic.

FOR THE PURPOSES OF INFORMATION ONLY

Codes used to identify States party to the PCT on the front pages of pamphlets publishing international applications under the PCT.

AT	Austria	ES	Spain	MC	Monaco
AU	Australia	FI	Finland	MG	Madagascar
BB	Barbados	FR	France	ML	Mali
BE	Belgium	GA	Gabon	MR	Mauritania
BF	Burkina Fasso	GB	United Kingdom	MW	Malawi
BG	Bulgaria	GR	Greece	NL	Netherlands
BJ	Benin	HU	Hungary	NO	Norway
BR	Brazil	IT	Italy	PL	Poland
CA	Canada	JP	Japan	RO	Romania
CF	Central African Republic	KP	Democratic People's Republic of Korea	SD	Sudan
CG	Congo	KR	Republic of Korea	SE	Sweden
CH	Switzerland	LI	Liechtenstein	SN	Senegal
CM	Cameroon	LK	Sri Lanka	SU	Soviet Union
DE	Germany	LU	Luxembourg	TD	Chad
DK	Denmark			TG	Togo
				US	United States of America

- 1 -

DRYWALL CONSTRUCTIONTECHNICAL FIELD

This invention relates to a device for interior wall installation in building construction.

5

BACKGROUND ART

The present method of installing an interior wall is a consuming and cumbersome process. In the present method metal tracks with channels are attached to the floor and ceiling and spaced, vertical wall studs
10 interconnect the tracks. The wall substrate is then attached to the studs. If the substance is drywall the grooves between successive sheets must be taped and plastered, after which the wall is painted. Finally, a baseboard is usually attached to the bottom of the wall
15 to provide a finished appearance, and a cornice may be applied at the top of the wall, either preformed or of plaster.

It is an object of the invention to provide a baseboard and/or cornice for simplified construction of
20 the interior wall of a building.

DISCLOSURE OF THE INVENTION

Essentially the invention consists of an interior wall mounting device comprising an elongated element
25 having a base plate and at least one side flange projecting laterally from the base plate. The free edge of the side flange is turned inwardly to form a channel opening in a direction normal to the base plate and outwardly therefrom. The channel is adapted to have a
30 plurality of studs securable laterally to the channel and shaped to receive the edge of a planar sheet securable against the studs to form a wall.

BRIEF DESCRIPTION OF DRAWINGS

35 Example embodiments of the invention are shown in the accompanying drawings in which:

SUBSTITUTE SHEET

- 2 -

FIG. 1 is a perspective view of a room indicating sites of use of an interior wall mounting device for interior wall construction;

5 FIG. 2 is a vertical cross sectional view of the ceiling element of an interior wall mounting device for an interior double sided wall, taken along line 2-2 of Figure 1;

10 FIG. 3 is a vertical cross sectional view of the floor element of an interior wall mounting device for an interior double sided wall, taken along line 3-3 of Figure 1;

FIG. 4 is a horizontal cross sectional view of an interior wall mounting device adapted to provide a door frame, taken along line 4-4 of Figure 1;

15 FIG. 5 is a horizontal cross sectional view of an interior wall mounting device adapted to provide a window frame, taken along line 5-5 of Figure 1;

20 FIG. 6 is a vertical cross sectional view of the ceiling element of an interior wall mounting device for an interior single sided wall, taken along line 6-6 of Figure 1;

25 FIG. 7 is a vertical cross sectional view of the floor element of an interior wall mounting device for an interior single side wall, with a variation in the side flange-base plate junction, taken along line 7-7 of Figure 1;

FIG. 8 is a vertical cross sectional view similar to Figure 6 including a carpet gripping device, taken along line 8-8 of Figure 1;

30 FIG. 9 is a perspective view of an interior wall mounting device of Figure 8;

FIG. 10 is a plan view of the outside corner of the junction of two walls taken in the direction of arrow 10 in Figure 1;

35 FIG. 11 is a plan view of the inside corner of the junction of two walls taken in the direction of arrow 11

- 3 -

in Figure 1;

FIG. 12 is a vertical cross sectional view of the ceiling element of an interior wall mounting device for use with ceiling substrate;

5 FIG. 13 is a vertical cross sectional view in elevation of a cornice in the form of a corner bead mounting device for installing with an interior wall and ceiling substrate at an inside corner junction;

10 FIG. 14 is a vertical cross sectional view in elevation of a cornice in the form of a corner bead mounting device for installing with an interior wall and ceiling substrate at an outside corner junction.

MODES FOR CARRYING OUT THE INVENTION

15 The example embodiments of the invention shown in the drawings each consist of an interior wall mounting device comprising a ceiling element 12, floor element 14, a door element 16, and a window element 18.

20 Ceiling element 12, shown in Figure 2, consists of a base plate 20 having, extending therefrom, a pair of space side flanges 22, terminating in a pair of downwardly opening channels 24 which are spaced apart a distance corresponding to the thickness of a wall stud 33. Channels 24 are each defined by a downwardly
25 projecting outer side wall 26 contiguous with the side flange, a bottom 27 and an inner side wall 28 lying in a plane normal to the base plate. Base plate 20 and inner side wall 28 carry apertures 30 and 32 respectively for receiving fastening elements 34 which are shown as
30 screws.

Floor element 14, shown in Figure 3, consists of a base plate 36 having, extending therefrom, a pair of spaced side flanges 38 terminating in a pair of upwardly opening channels 40 which are spaced apart a distance
35 corresponding to the thickness of wall stud 33. Channels 40 are each defined by an upwardly projecting

- 4 -

inner side wall 42, a bottom 43, and an upwardly projecting outer side wall 44 contiguous with the side flange. Base plate 36 and inner plate 42 carry apertures 46 and 48 respectively for receiving fastening elements 34.

5
A door frame element 16 is shown in Figure 4 and consists of a face plate 50 having, extending therefrom, a pair of side flanges 51, each terminating in a channel 52, the channels being spaced apart a distance
10 corresponding to the thickness of wall stud 33. Channels 52 are each defined by an outer side wall 56 contiguous with the side flange, a bottom 57, and an inner side wall 58 lying in a plane normal to the base plate lying against wall stud 33. The outer end of
15 inner side wall 58 of each channel 52 terminates in a channel extension plate 54. A stop 64 projects from face plate 50 and protrudes into the door area, with an abutment face 66 parallel to the face of a closed door 68. Channel extension plates 54 carry apertures 68 for
20 receiving fastening elements 34.

A window frame element 18 shown in Figure 5, consists of a face plate 70 adjacent the window having, extending therefrom, a pair of side flanges 72 spaced apart a predetermined distance and terminating in a pair
25 of channels 74. Extending from face plate 70 opposite side flanges 72 is a window receiving channel 73. Face plate 70 and window receiving channel 73 carry receiving apertures 75 and 76 respectively for receiving fastening elements 34. Channels 74 are each defined by an outer
30 side wall 76 contiguous with the side flange, a bottom 77, and an inner side wall 78 lying in a plane normal to the base plate. Inner side wall 78 of channel 74 carries apertures 82 for receiving fastening elements
34.

35 In the use of the embodiment shown in Figures 2 and 3 ceiling element 12 is fastened by screws 34 to ceiling

- 5 -

31 through apertures 30. Floor element 14 is aligned vertically with ceiling element 12 and fastened to floor 35 by screws 34 through apertures 46. When ceiling element 12 and floor element 14 have been secured in place, the ends of vertical wall studs 33 are located in these elements in the usual manner. Then ceiling element 12 and floor element 14 are securely fastened by screws 34 to wall studs 33 through apertures 32 for ceiling element 12 and aperture 48 for floor element 14. Following this, where necessary, door element 16 and window element 18 are fastened to wall studs 33 by screws 34 through aperture 68 for door element 16 and aperture 82. For window element 18. All elements are now ready to receive a series of wall substrate panels 81 which are mounted by inserting the upper edge portions of the panels into ceiling channel 24 which is deeper than, channel 40 in floor element 14, channel 52 in door element 16, and channel 74 in window element 18, and then dropping the bottom of the panels into channels 40, 52, and 74. Channels 24, 40, 52, and 74 are narrow enough to adequately secure panels 81. Screws 34 protruding from apertures 32 and 38 may provide an extra means of securing panel 81 by gouging and gripping the back of panels 81 upon insertion of the edges of the panels into the channels.

A variation of ceiling element 12, indicated by numeral 112 in Figure 6 consists of a base plate 120 and extending therefrom a side flange 122 terminating in a downwardly opening channel 124. Channel 124 is defined by a downwardly projecting outer side wall 126 contiguous with the side flange, a bottom 127, and a downwardly projecting inner side wall 128 lying in a plane normal to base plate 120. A top rest plate 121 projects downwardly from base plate 120 in the plane of inner side wall 128 of channel 124. Base plate 120, inner side wall 128, and rest plate 121 carry apertures 130, 132, and 133 respectively for receiving fastening

- 6 -

elements 34.

A variation of floor element 14, indicated by numeral 114 in Figure 7, consists of a base plate 136 having, extending therefrom, a side flange 138 terminating in an upwardly opening channel 140. Channel 140 is defined by an upwardly projecting outer side wall 142 contiguous with side flange 138, a bottom 143, and an upwardly projecting inner side wall 144 lying in a plane normal to base plate 136. Extending from base plate 136 is an upwardly projecting rest plate 146 located to lie against wall stud 33. Base plate 136, inner side wall 144, and rest plate 146 carry apertures 147, 148, and 150 respectively for receiving fastening elements 34. In this embodiment the junction of base plate 136 and side flange 138 is recessed to form a cavity 137.

In the use of the embodiment shown in Figures 6 and 7, ceiling element 112 is fastened by screws 34 to ceiling 31 through aperture 130. Floor element 114 is aligned vertically with ceiling element 112 and is then fastened to floor 31 by screws 34 through aperture 146. Wall studs 33 are inserted into elements 112 and 114 in the usual manner. Ceiling element 112 is securely fastened by screws 34 to wall studs 33 through apertures 132 and 133 and floor element 114 is securely fastened by screws 34 to the wall studs through apertures 148 and 150. Where required, door elements 16 and window elements 18 are appropriately positioned as described above. All elements are now ready to receive wall substrate panels 81 which are mounted by flexing and inserting the edge portions of the panels in channels 124, 140 and where necessary, channels 52 and 74 for the door and window elements. Wall substrate panels 81 are then fastened to wall studs 33. The edge of carpet 160 is inserted into cavity 137 to improve appearance of the combination. It will be appreciated that rest plate 121

- 7 -

of ceiling element 112 and rest plate 146 of floor element 114 are two aspects of the same concept and either may be used as desired, i.e. the rest plate may be located to abut either side of stud 33.

5 A carpet gripping device 82, associated with floor element 14 or 114 and shown in Figures 8 and 9, consists of a separate further plate 86 which carries a locator rail 90 perpendicular to the plate and running
10 longitudinally the length of the plate. A row of barbs 88 projects from plate 86 on one side of rail 90 at an upward angle towards the rail and an array of barbs 92 projects from the plate on the other side of the rail at an upward angle towards the rail. Base plate 94 carries a row of apertures 96 for receiving the upward
15 projecting row of barbs 88.

 In the use of the embodiment shown in Figures 8 and 9, floor element 114 (or floor element 14) and gripping device 82 are located on the floor, the gripping device being underneath the floor element, with barbs 88
20 engaging apertures 96 and with locator rail 90 abutting the base of side flange 138. Floor element 114 (or element 14) is fastened to the floor by screws 34 through aperture 147 (or aperture 46). Then ceiling element 12 (or element 112) is vertically aligned with
25 the floor element and the previously described procedure is followed to mount wall substrate panels 81, after which a carpet 160 is laid with its edges being held down by the array of barbs 92 on gripping device 82.

 The corners of side flanges 38 and 138 of floor
30 elements 14 and 114 may be mitred as shown in Figure 10 and Figure 11 for an outside corner and inside corner respectively. The same mitring may be used in the corners of the ceiling elements.

 A variation of ceiling element 12 is shown in
35 figure 12 of the drawings. That embodiment consists of ceiling element 212 with a base plate 220 having,

extending therefrom, a side flange 222 which terminates in a downwardly opening channel 224. Base plate 220 is recessed at each lateral edge to form a ledge 223. Channel 224 is defined by a downwardly projecting outer side wall 230, a bottom 232, and a downwardly projecting inner side wall 234 lying in a plane normal to base plate 220. Base plate 220 and inner side wall 234 carry apertures 236 and 238 respectively for receiving fastening elements 34.

10 In the use of the embodiment shown in figure 12, ceiling element 212 is fastened by screws 34 to ceiling joists 240 through aperture 236. Floor elements 14 or 114 are attached to the floor as described above. Wall studs 33 are inserted into elements 212 and, either
15 floor element 14, or 114, in the usual manner. Ceiling element 212 is securely fastened to wall studs 33 by screws 34 through aperture 238. Wall substrate panels 81 are mounted inserted in the usual manner. Ceiling substrate panels 242 are mounted by inserting the edge
20 portions of the panels into the cavity created by ledge 223 and ceiling joists 240, and then fastening the panel to the ceiling joists.

In Figures 13 and 14 a variation of ceiling element 12 provides an inside corner cornice in the form of a
25 bead 312 and an outside corner cornice in the form of a bead 412. In Figure 14 bead 312 consists of an arcuate face plate 320 with the lateral edges thereof terminating in channels 322 and 324. Channel 322 is defined by an outer side wall 326, a bottom 328 and an
30 inner side wall 330 adapted to lie against wall stud 33. Channel 324 is defined by an outer side wall 326, a bottom 328 and an inner side wall 332 adapted to lie against ceiling joist 240. Channels 322 and 324 open in a direction normal to and away from each other and carry
35 apertures 334 for receiving fastening elements 34. In Figure 15 bead 412 consists of an arcuate face plate 420

- 9 -

with the lateral edges thereof terminating in channels 422 and 424. Channel 422 is defined by an outer side wall 426, a bottom 428 and an inner side wall 430 adapted to lie against exposed surface 450. Channel 424
5 is defined by an outer side wall 426, a bottom 428 and an inner side wall 432 adapted to abut exposed surface 460. Channels 422 and 424 open in a direction normal to and away from each other and carry apertures 434 for receiving fastening elements 34. Channels 422 and 424
10 are adapted to lie against exposed surfaces 450 and 460 of frame 500 of a two tiered ceiling.

In the embodiments shown in Figures 13 and 14, ceiling element 312 may be used with ceiling and wall panels where there is an inside corner junction, i.e. at
15 the junction of ceiling joists 240 and wall studs 33, to have inner side wall 332 lying against joists 240 and inner side wall 330 lying against wall studs 33. Ceiling element 312 is secured to ceiling joists 240 by screws 34 through apertures 334. Any necessary floor
20 elements are then vertically aligned and secured to the floor in the manner described above. Wall studs 33 are then located in the runners of floor element 14 with the sides of their upper ends lying against inner side wall 330 of ceiling element 312. Ceiling element 312 is then
25 firmly secured to wall studs 33 by screws 34 through apertures 334. Ceiling element 412 may be used at an outside corner junction, i.e. at the corner junction of the two exposed surfaces when a two tiered ceiling frame is installed, and is located so that arcuate face plate
30 420 envelops the outside corner with inner side wall 430 lying against exposed surface 450 and inner side wall 432 lying against exposed surface 460. Ceiling element 412 is securely fastened by screws 34 to the frame of the two tiered ceiling through apertures 434. Wall
35 substrate panels 81 are then inserted into channels 422 and 424 in the manner described above.

It will be appreciated that the floor, ceiling,

- 10 -

door, and window elements of the wall mounting device may be preformed into various shapes which may be especially efficient when used to construct closets or showers; otherwise they may be roll formed on the site.

5 It will also be appreciated that the various elements may be roll formed from any suitable material such as sheet metal or aluminum, or the elements may be formed by using various plastics in appropriate moulds. Also the side flanges of the various elements may be
10 pre-finished with suitable materials such as marble, paint, or plastics.

 The term "wall substrate" as used herein refers to sheet materials such as drywall, gyproc, pressboard, and panelling.

- 11 -

WE CLAIM:

1. A wall mounting device comprising an elongated element having a base plate and at least one side flange projecting laterally from the base plate, the free edge of the side flange being turned inwardly and shaped to form a channel opening in a direction normal to the base plate and outwardly therefrom, the channel being adapted to have a plurality of studs securable laterally thereto and to receive the edge of a planar sheet securable against the studs to form a wall.

2. A device as claimed in claim 1 in which the flange constitutes a baseboard.

3. A device as claimed in claim 1 in which the flange constitutes a cornice.

4. A wall mounting device comprising a floor element having a base plate with at least one side flange upstanding from the base plate to form a baseboard and terminating in an upwardly opening channel, and a ceiling element having a base plate with at least one side flange downwardly projecting from the base plate to form a cornice and terminating in a downwardly opening channel, the floor and ceiling elements being juxtaposable whereby a plurality of vertical wall studs are securable laterally thereto to the channels and a planar sheet is receivable in the channels and securable against the studs to form a wall.

5. A device as claimed in claim 4 in which the floor element comprises a pair of spaced parallel baseboards and the ceiling element comprises a pair of spaced parallel cornices, whereby the plurality of vertical studs is locatable between the channels of each element and securable thereto, and a pair of planar sheets are receivable in the channels and securable against the studs to form a double wall.

6. A device as claimed in claim 4 in which each channel is defined by an outer side wall contiguous

- 12 -

with the side flange, a bottom, and an inner side wall lying in a plane normal to the base plate.

5 7. A device as claimed in claims 6 in which the floor and ceiling elements are securable to a floor and ceiling respectively through a plurality of apertures in the base plate and through a plurality of apertures in the inner side wall of the channel to studs.

10 8. A device as claimed in claim 6 in which the floor and ceiling elements each comprise a single baseboard and cornice respectively, the base plates of the floor and ceiling elements each terminating remote from the baseboard or cornice respectively in a rest plate located to abut the studs.

15 9. A device as claimed in claim 8 in which the rest plate lies in the plane of the inner side wall of the channel.

20 10. A device as claimed in claim 8 in which the rest plate is adapted to abut that side of the studs remote from the flange.

 11. A device as claimed in claim 4 in which the floor element includes carpet gripping means comprising an outward extension of the base plate, the extension carrying means to grip a carpet.

25 12. A device as claimed in claim 11 in which said further plate is a separate plate contiguous with the base plate and including means to anchor said further plate to the base plate.

13. A device as claimed in claim 11 in which the means to anchor said further plate to the base plate comprises a plurality of barbs extending upwardly from said further plate, the base plate including a plurality of apertures to receive the barbs.

14. A device as claimed in claim 12 in which said further plate includes a locator rail upstanding therefrom and spaced from the side edges thereof.

15. A device as claimed in claim 1 in which the base plate includes a longitudinal shoulder outstanding therefrom to form a door stop.

16. A device as claimed in claim 1 in which the base plate carries a channel outwardly facing therefrom and adapted to receive an edge of a sheet of window glass.

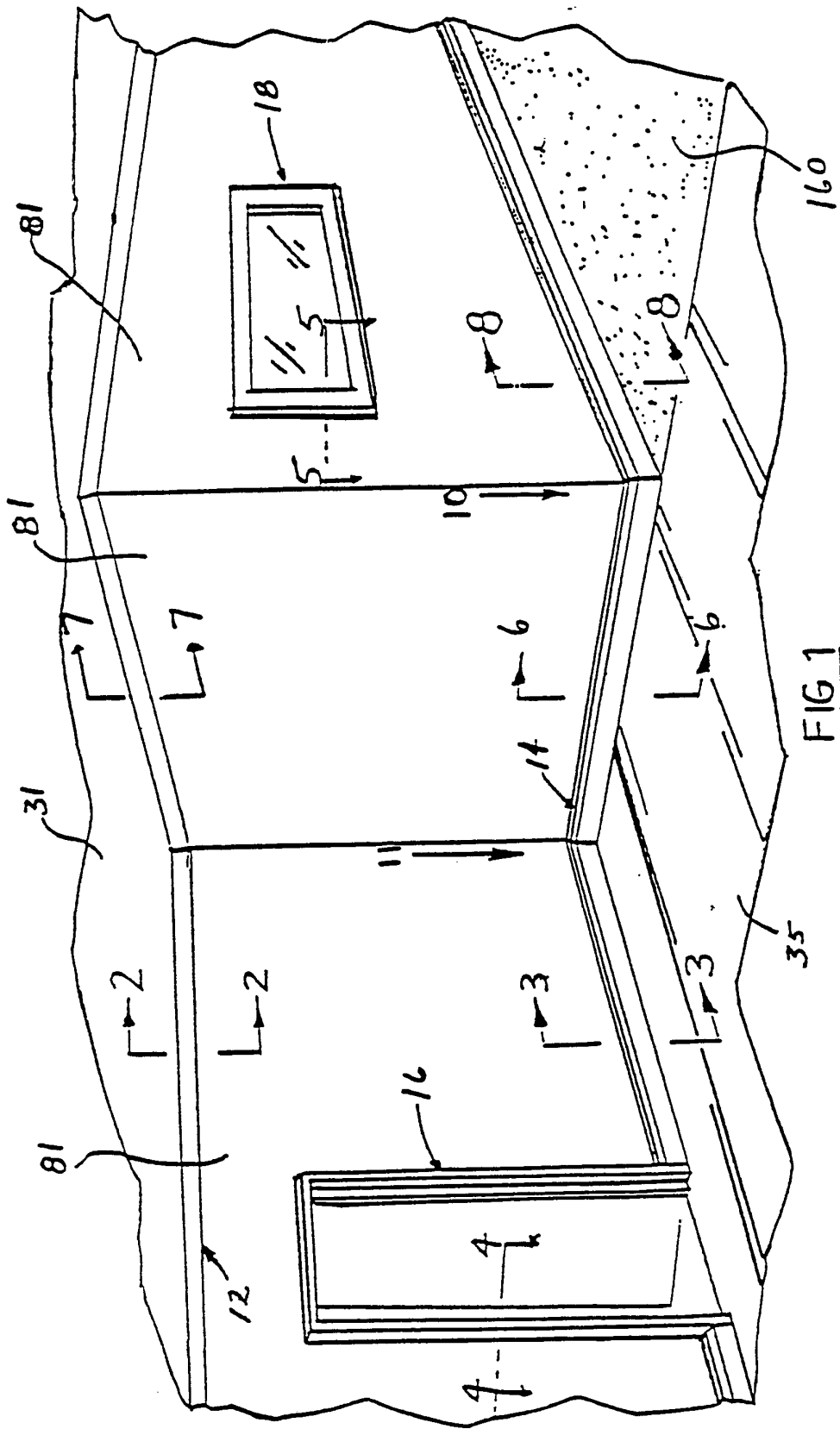
17. A device as claimed in claim 4 in which at least one side edge of the base plate of the ceiling element is recessed laterally to form a ledge.

18. A wall mounting device comprising an elongated member having a laterally arcuate surface, the lateral edges of the member being turned inwardly to form a pair of channels opening in a direction normal to and away from one another.

19. A device as claimed in claim 18 in which the channels are adapted to have the free sides thereof lie against an inside corner of a wall frame.

20. A device as claimed in claim 18 in which the channels are adapted to have the free sides thereof lie against an outside corner of a wall frame.

1/13



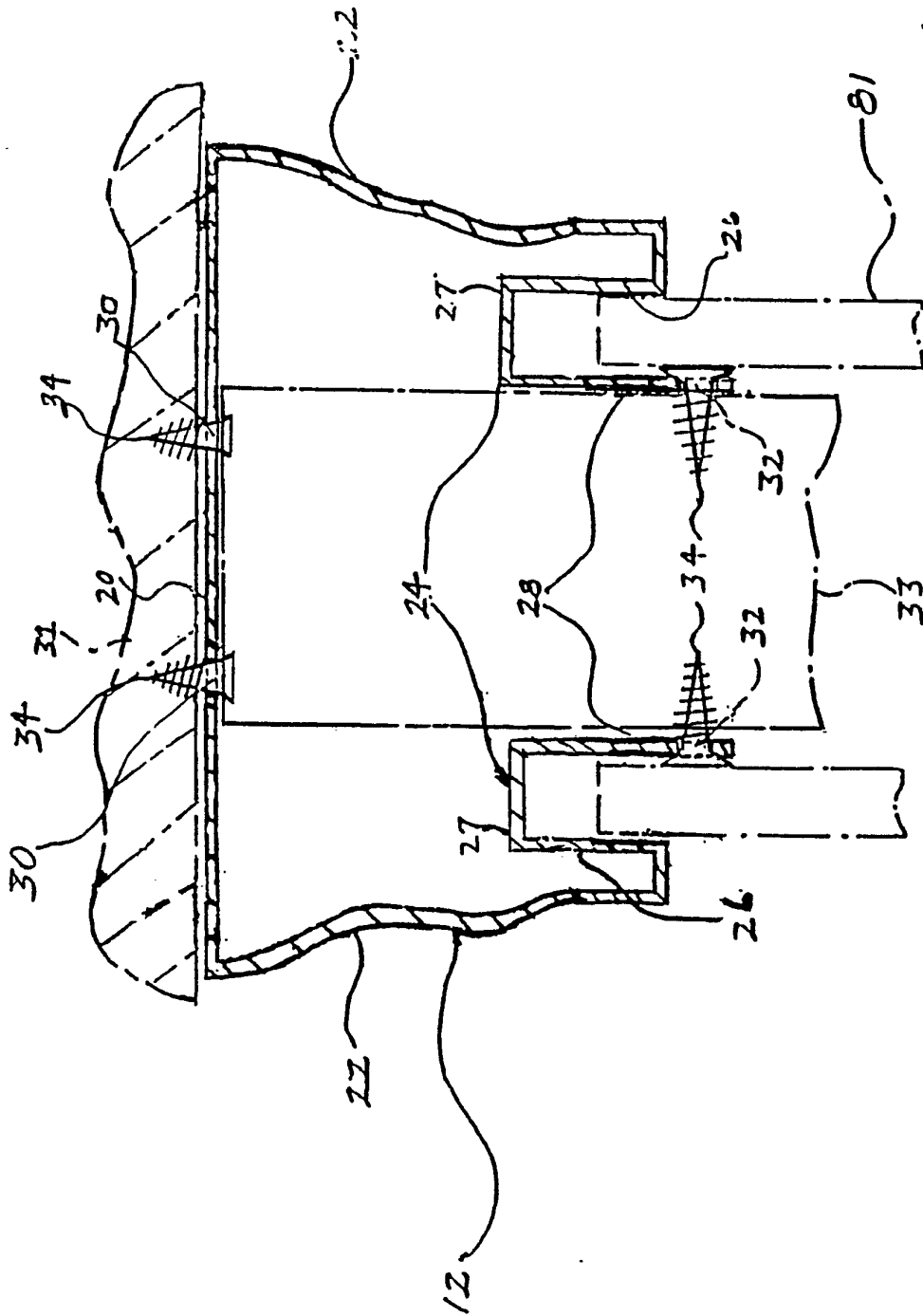


FIG 2

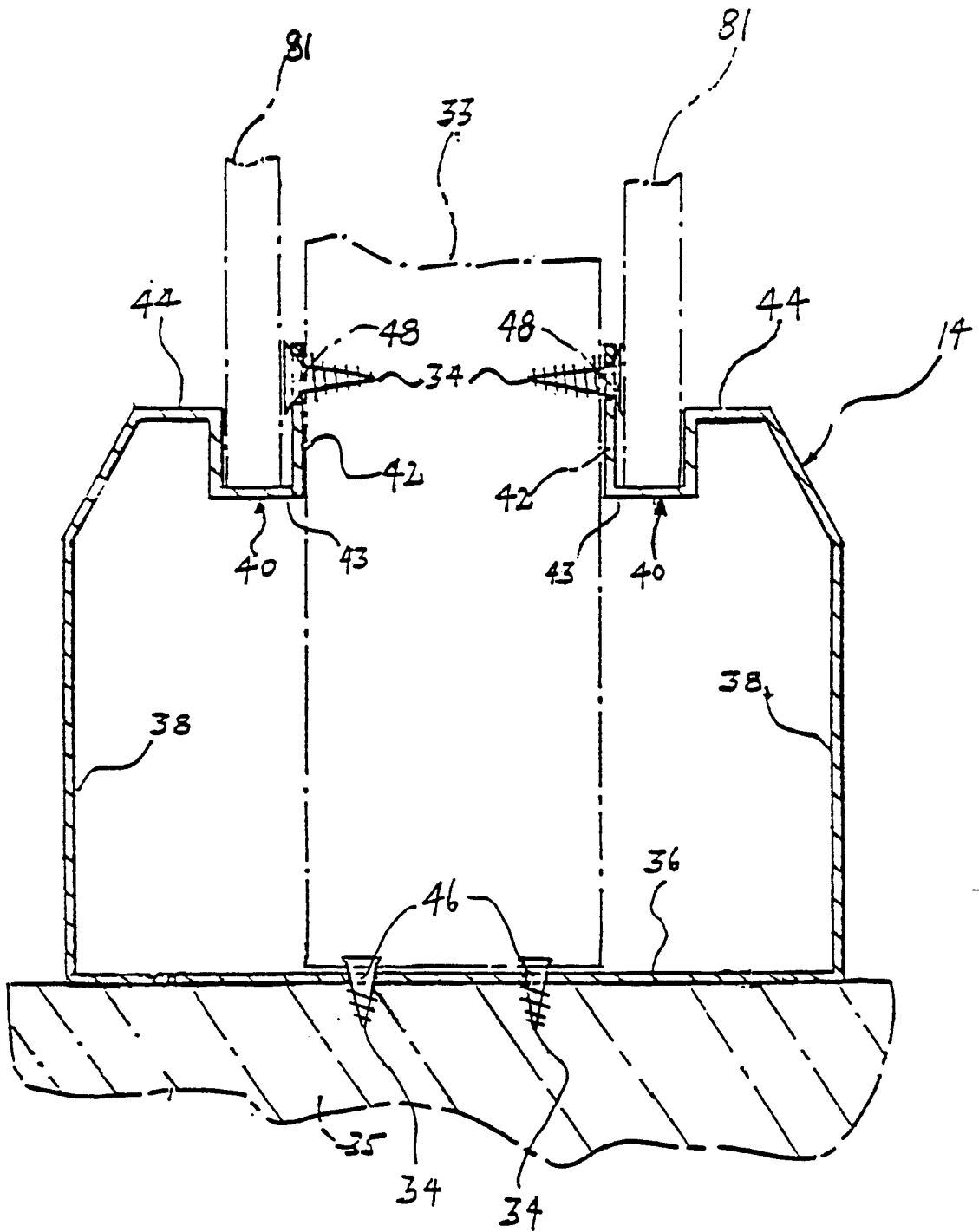
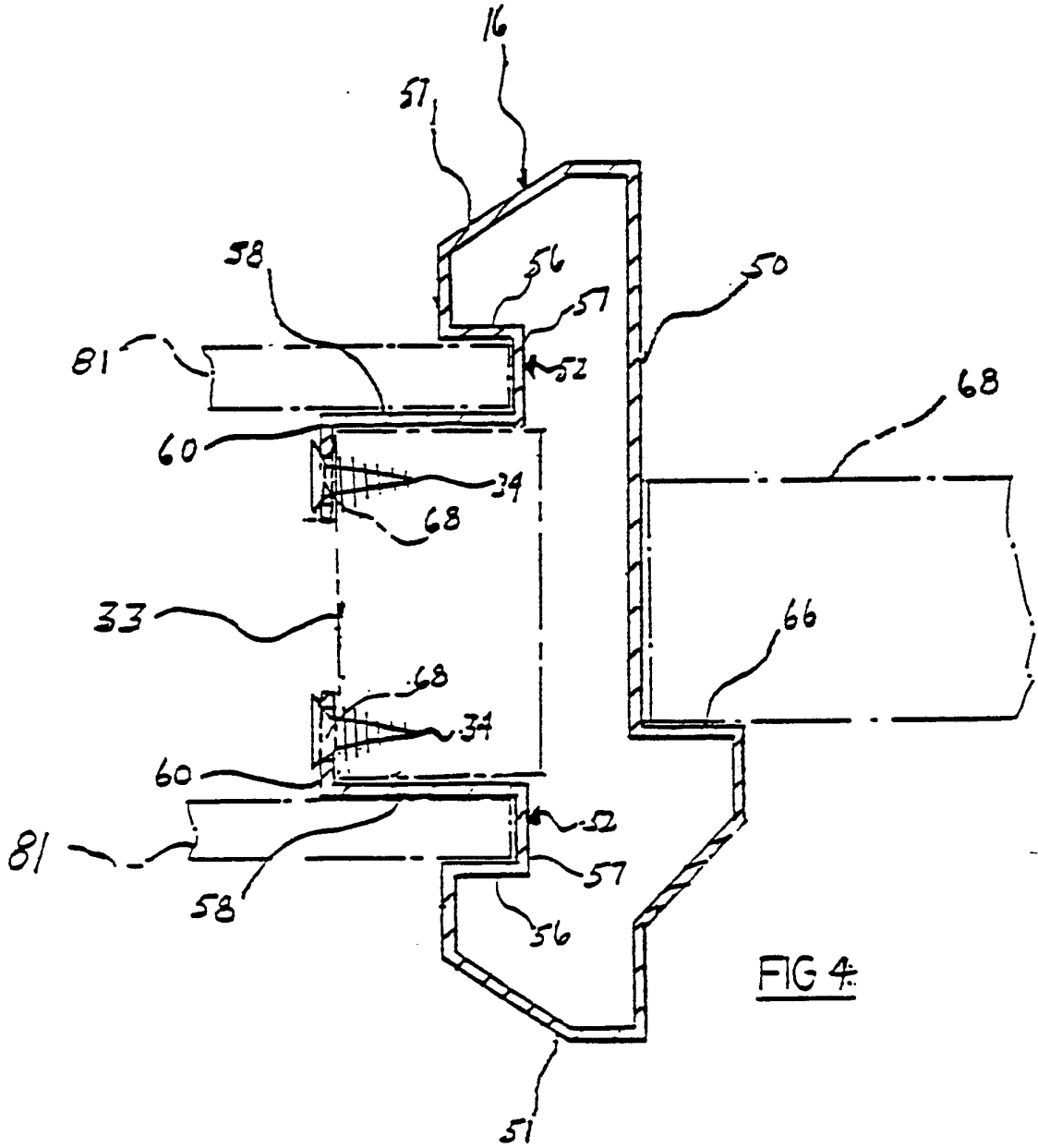


FIG 3

4/13



5/13

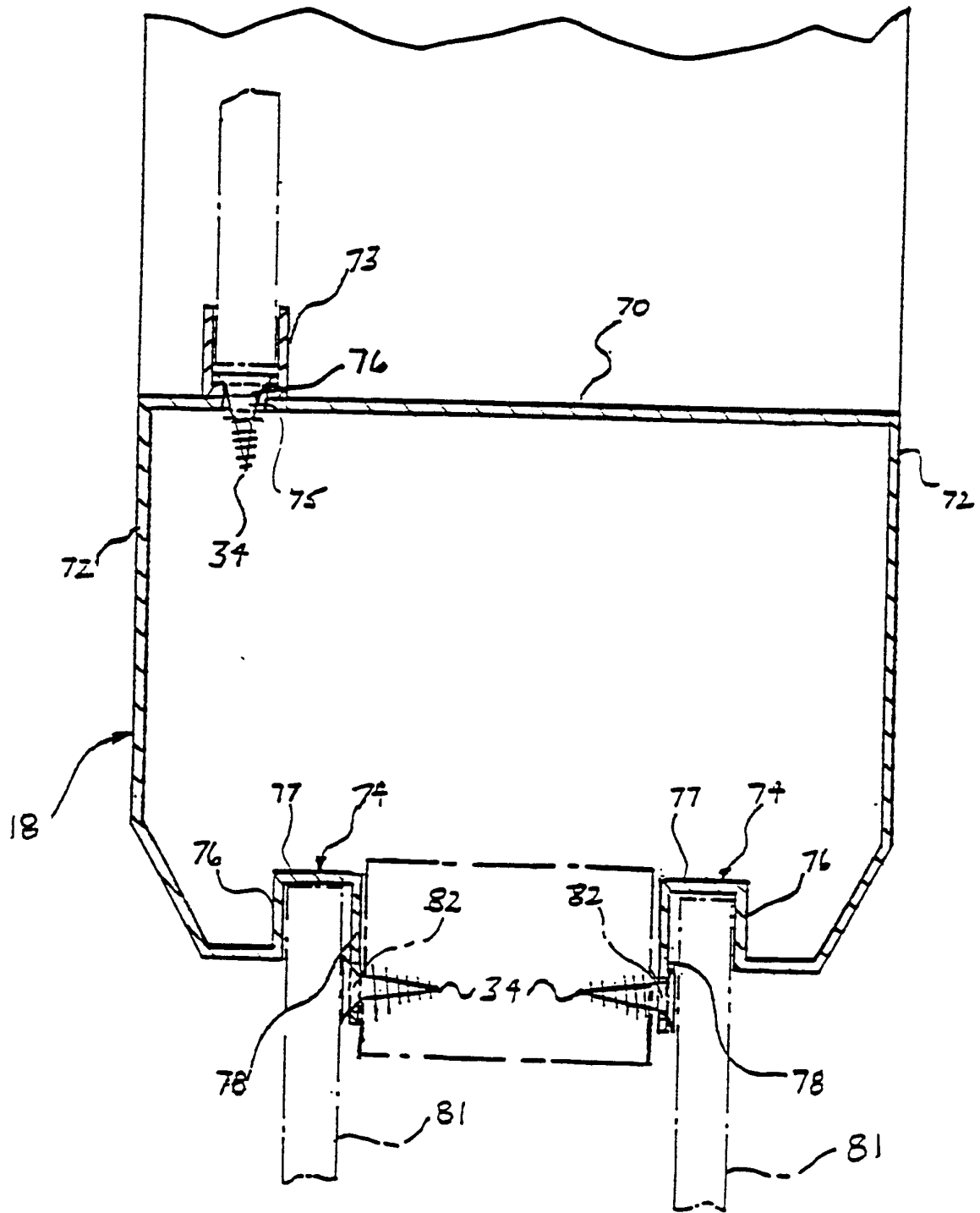


FIG 5

6/13

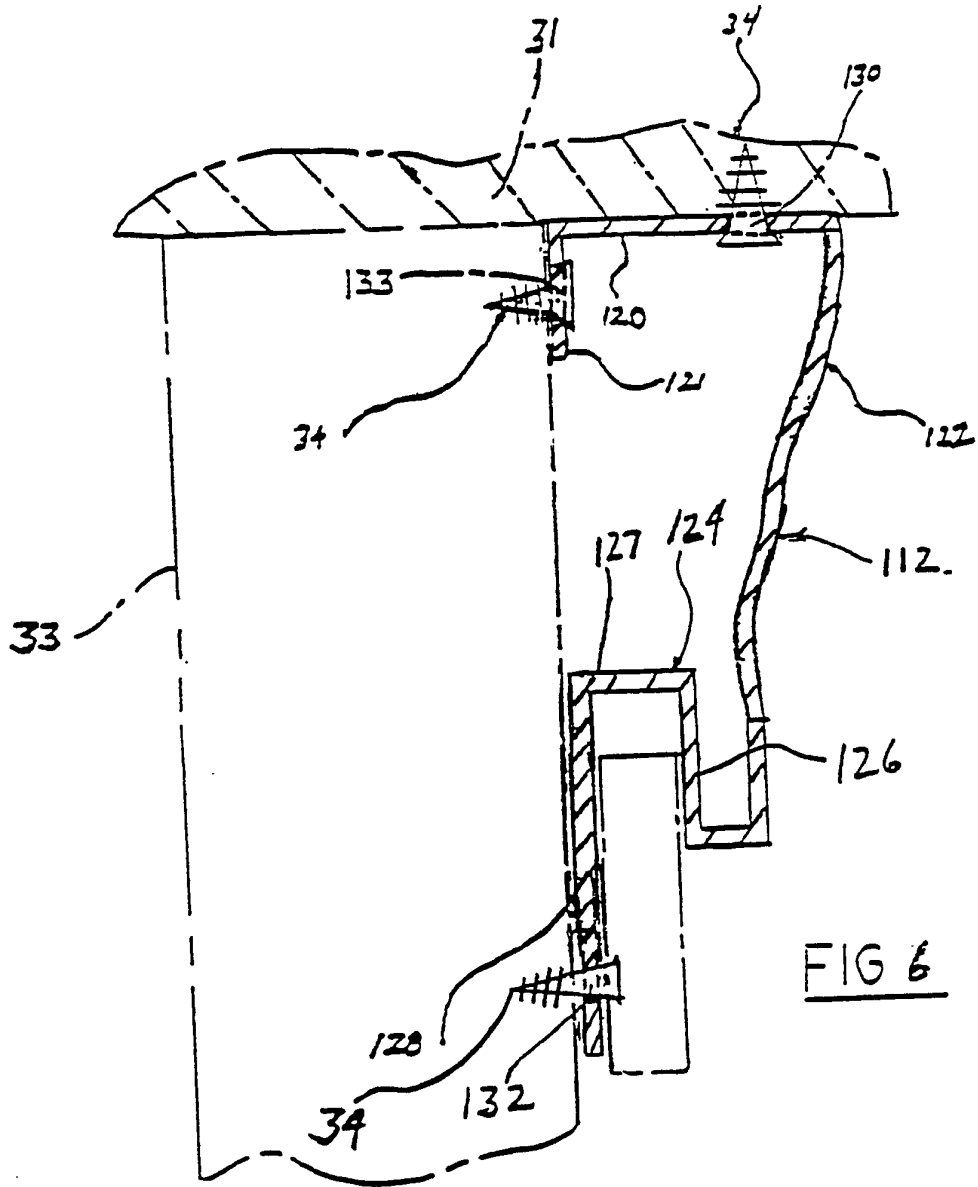


FIG 6

7/13

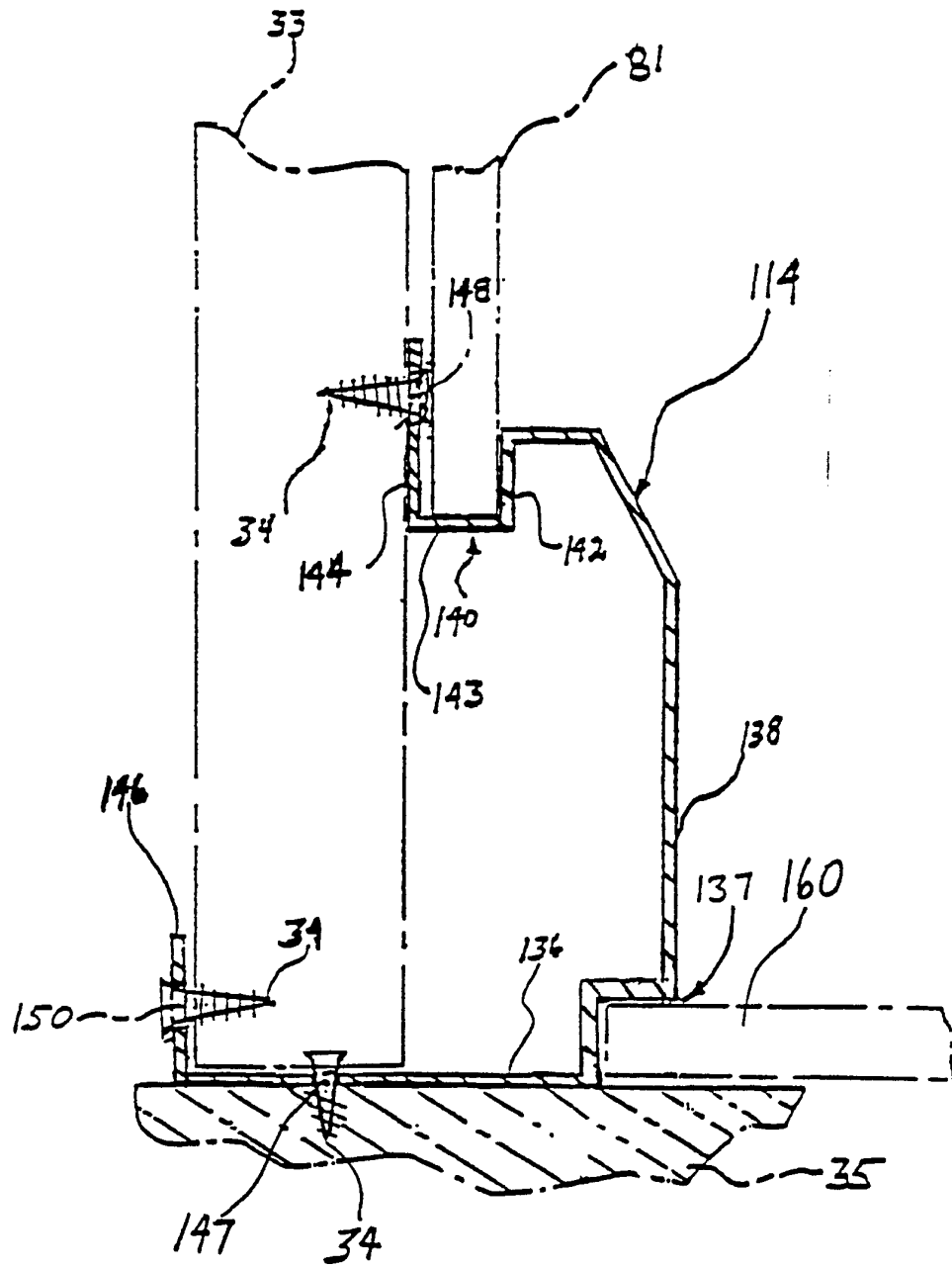


FIG 7

8/13

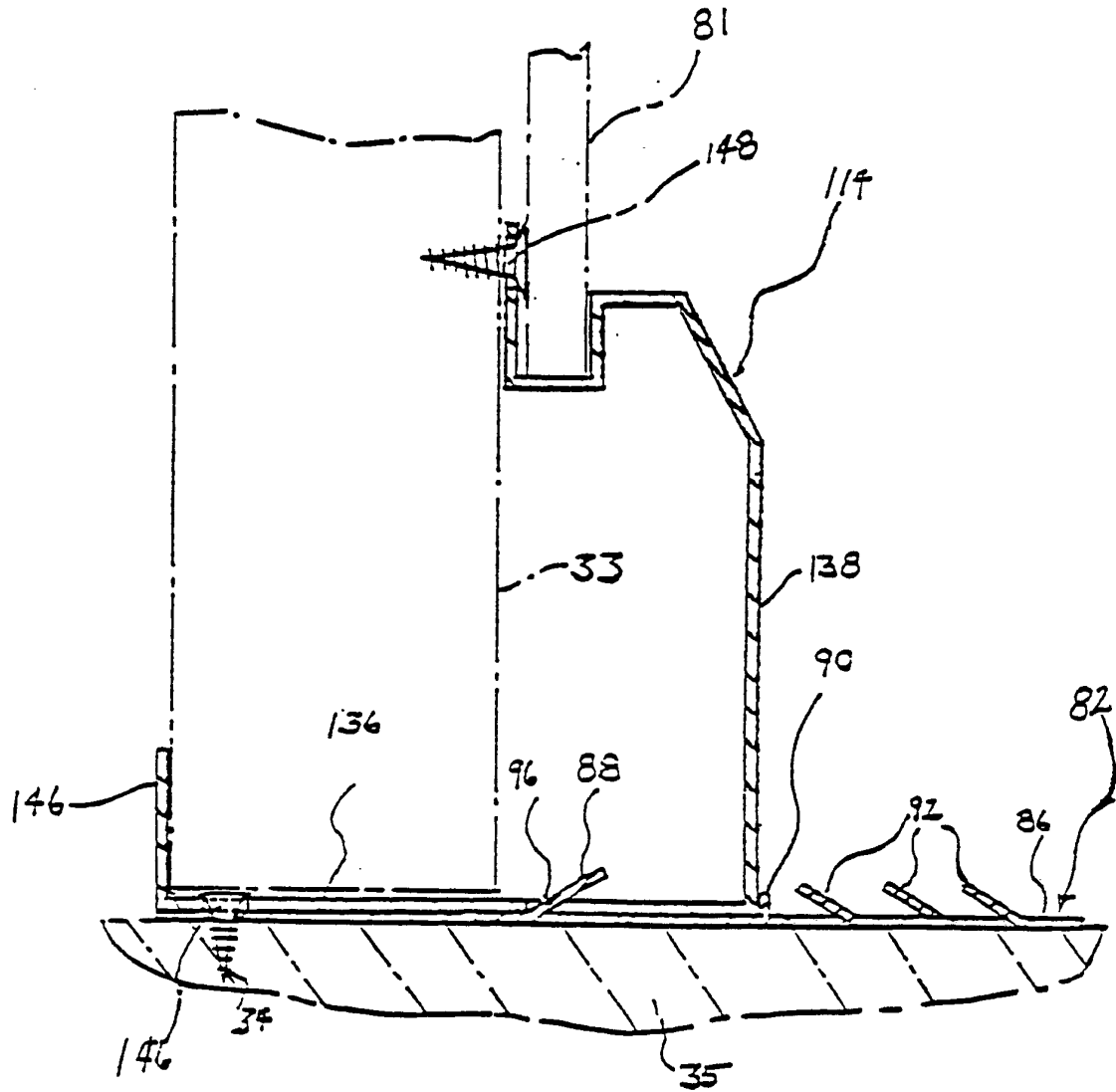


FIG 8

9/13

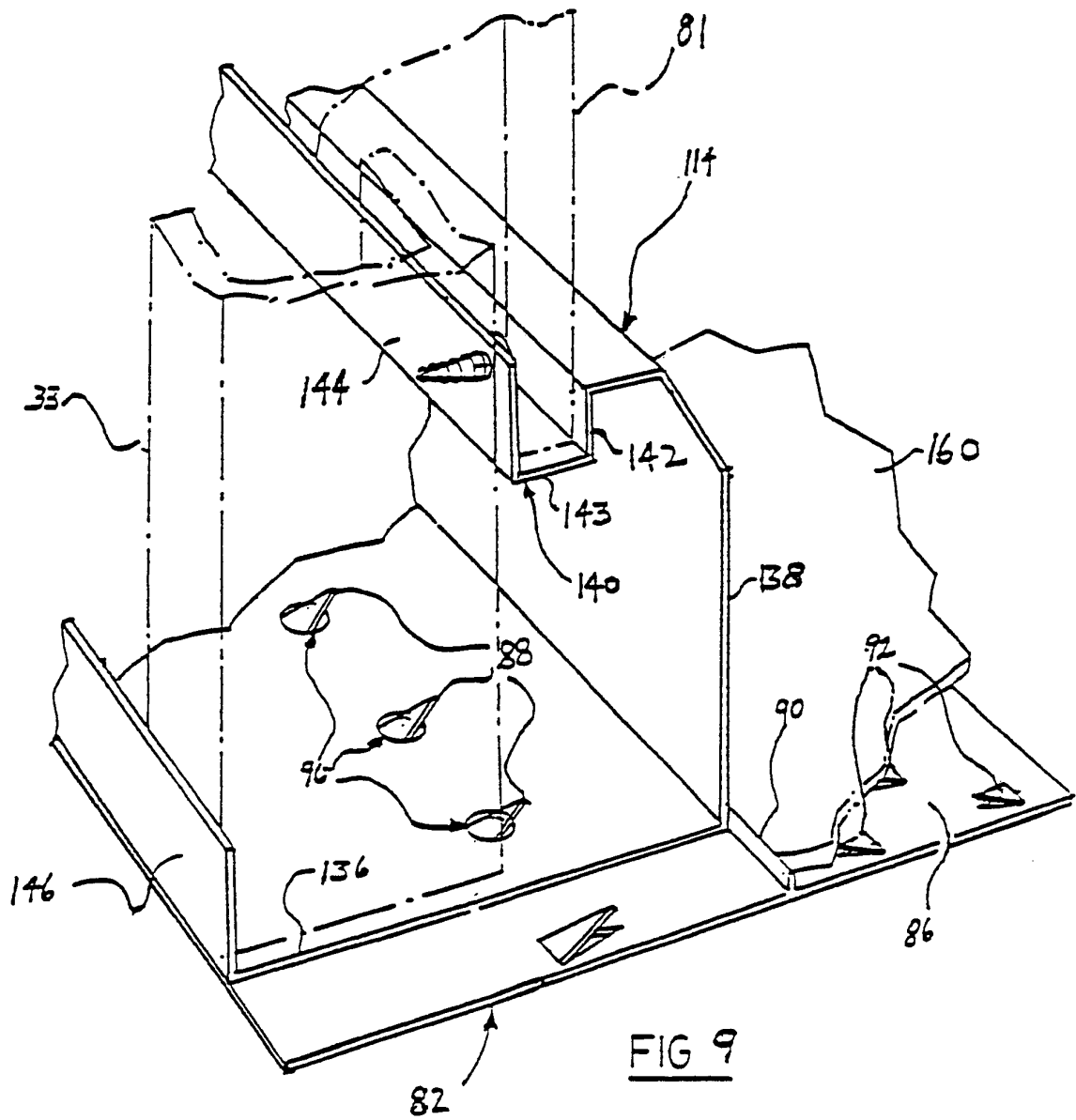


FIG 9

10/13

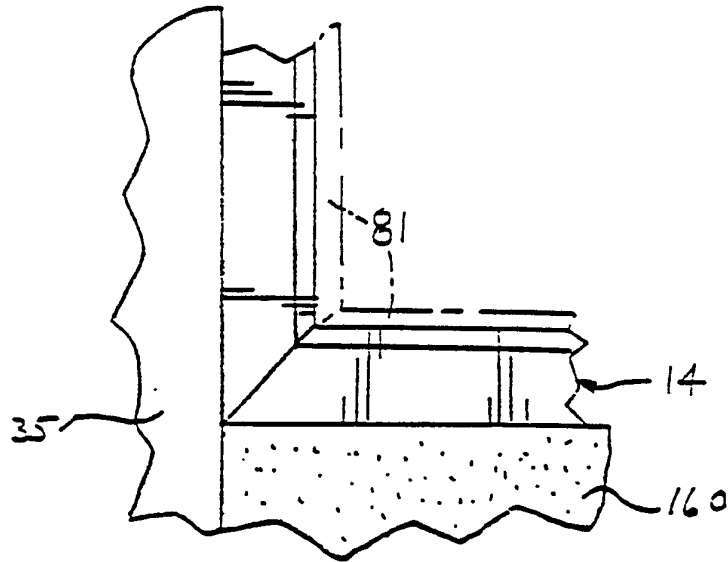


FIG 10

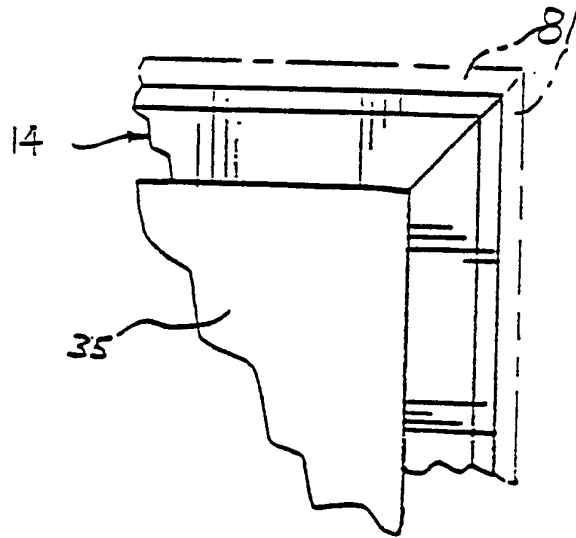


FIG 11

11 / 13

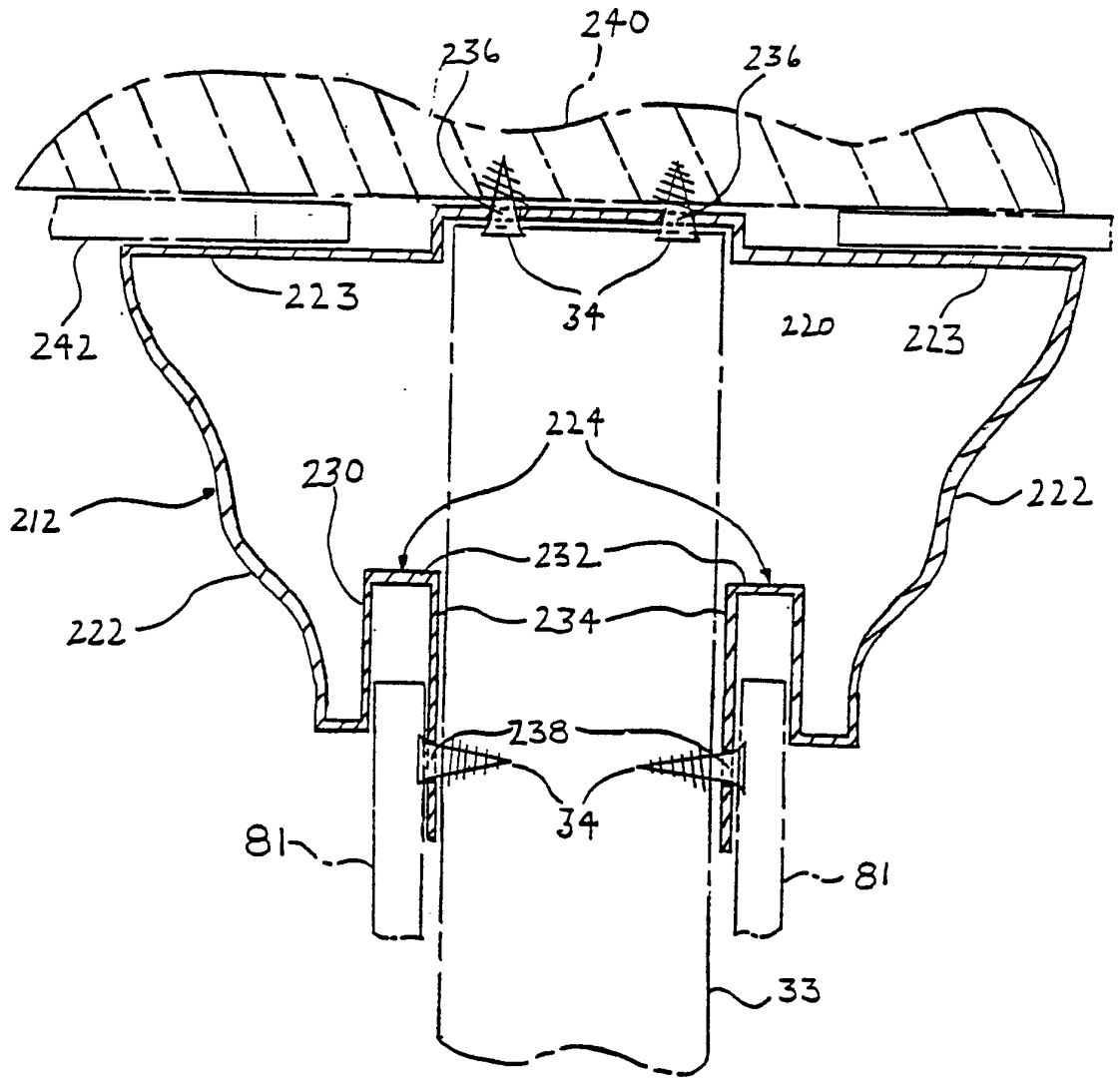


FIG 12

12 / 13

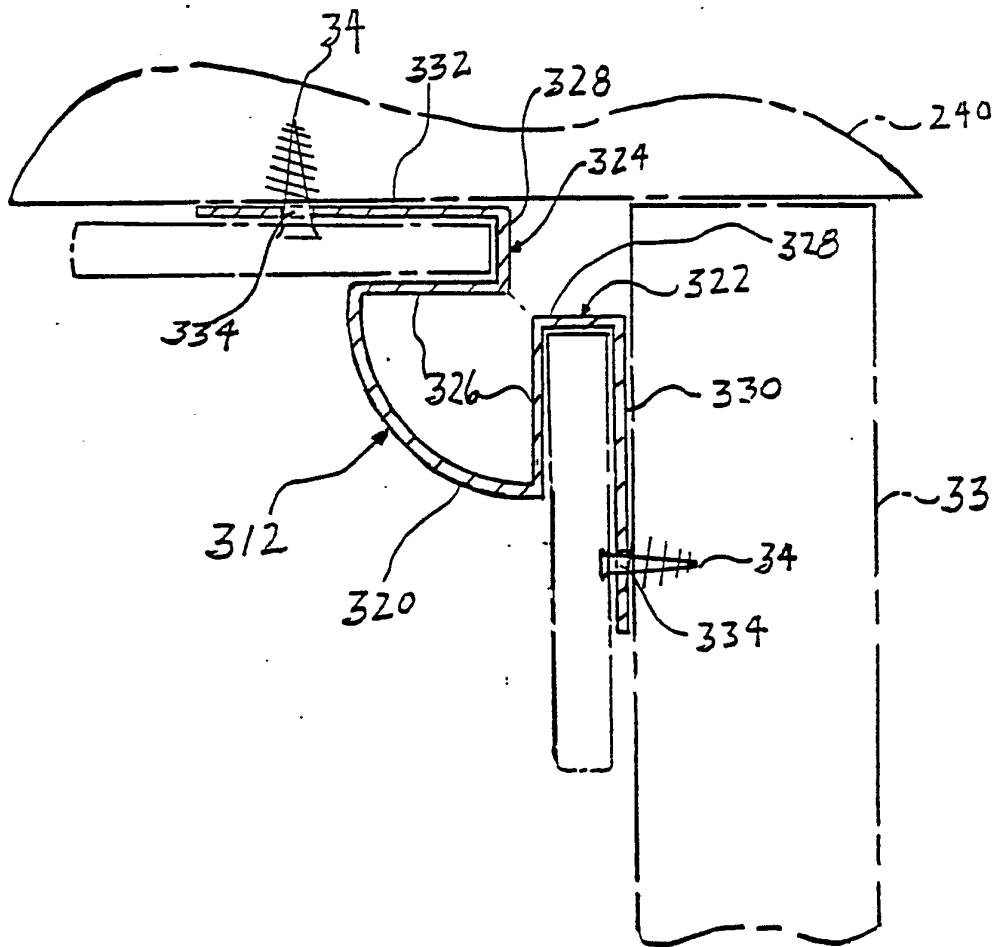


FIG. 13

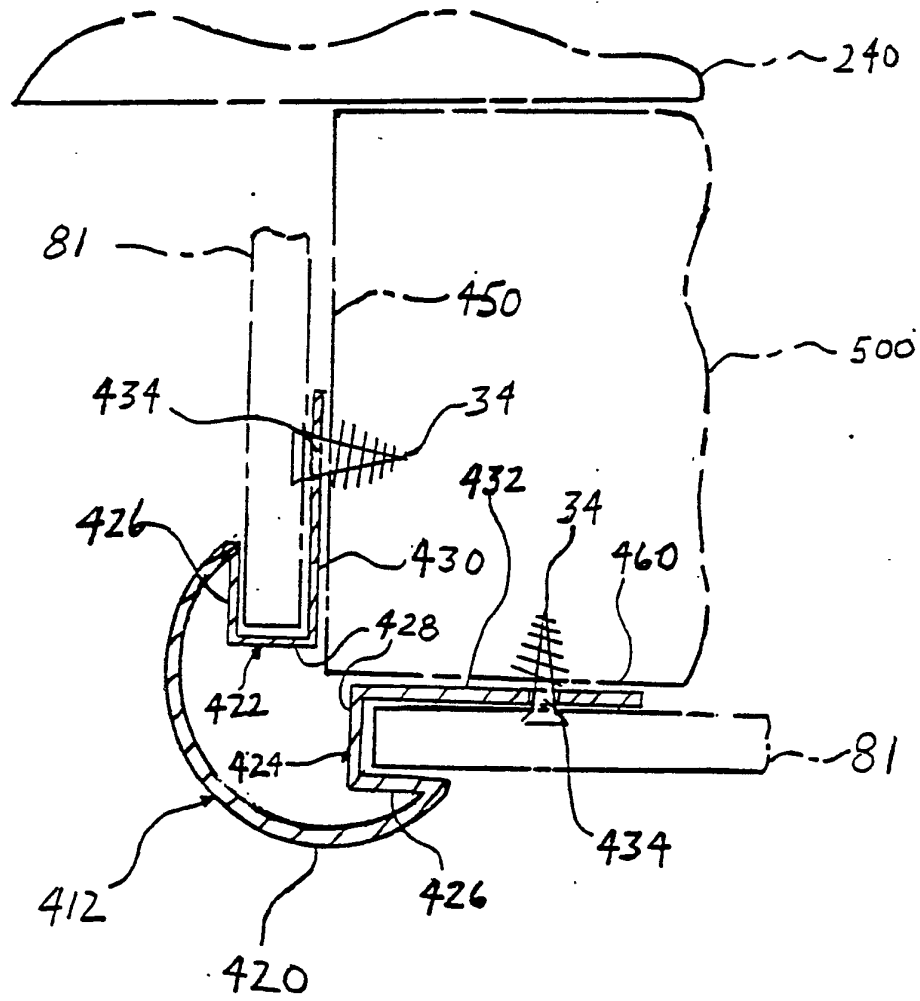
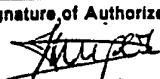


FIG. 14

INTERNATIONAL SEARCH REPORT

International Application No PCT/CA 90/00268

I. CLASSIFICATION OF SUBJECT MATTER (if several classification symbols apply, indicate all) ⁶		
According to International Patent Classification (IPC) or to both National Classification and IPC		
IPC ⁵ : E 04 B 2/82		
II. FIELDS SEARCHED		
Minimum Documentation Searched ⁷		
Classification System	Classification Symbols	
IPC ⁵	E 04 B	
Documentation Searched other than Minimum Documentation to the Extent that such Documents are included in the Fields Searched ⁸		
III. DOCUMENTS CONSIDERED TO BE RELEVANT ⁹		
Category ⁹	Citation of Document, ¹¹ with indication, where appropriate, of the relevant passages ¹²	Relevant to Claim No. ¹³
X	US, A, 1981239 (F.A. MANSKE) 20 November 1934 see page 2, lines 85-101; figures 1,9, 13,14	1-7
Y	--	8-12,15-17
X	CH, A, 577612 (R. RICHTER) 15 July 1976 see column 1, lines 24-30; column 1, line 50 - column 2, line 19; figures 1,2	1-4
Y	--	8-10
Y	US, A, 4329820 (A.C. WENDT) 18 May 1982 see the whole document	11-12
A	--	13,14
	./.	
<p>⁹ Special categories of cited documents: ¹⁰</p> <p>"A" document defining the general state of the art which is not considered to be of particular relevance</p> <p>"E" earlier document but published on or after the international filing date</p> <p>"L" document which may throw doubts on priority claim(s) or which is cited to establish the publication date of another citation or other special reason (as specified)</p> <p>"O" document referring to an oral disclosure, use, exhibition or other means</p> <p>"P" document published prior to the international filing date but later than the priority date claimed</p> <p>"T" later document published after the international filing date or priority date and not in conflict with the application but cited to understand the principle or theory underlying the invention</p> <p>"X" document of particular relevance; the claimed invention cannot be considered novel or cannot be considered to involve an inventive step</p> <p>"Y" document of particular relevance; the claimed invention cannot be considered to involve an inventive step when the document is combined with one or more other such documents, such combination being obvious to a person skilled in the art.</p> <p>"&" document member of the same patent family</p>		
IV. CERTIFICATION		
Date of the Actual Completion of the International Search	Date of Mailing of this International Search Report	
12th November 1990	27 NOV 1990	
International Searching Authority	Signature of Authorized Officer	
EUROPEAN PATENT OFFICE	 Mme N. KUIPER	

III. DOCUMENTS CONSIDERED TO BE RELEVANT (CONTINUED FROM THE SECOND SHEET)		
Category *	Citation of Document, ** with indication, where appropriate, of the relevant passages	Relevant to Claim No.
Y	US, A, 3039569 (J.A. BOHNSACK) 19 June 1962 see column 6, lines 49-52; figure 14 --	15
Y	FR, A, 2261382 (RONEO VICKERS PARTITIONS LTD) 12 September 1975 see page 2, lines 3-23; figure 2 --	16
Y	US, A, 4151691 (A.C. WENDT) 1 May 1979 see figures 2-5 --	17
A	--	3-5
A	CH, A, 538580 (A. FELIX) 15 August 1973 see column 1, line 44 - column 2, line 22; figures 1-3,10 --	1-5,15
A	FR, A, 2586732 (M. HEPP) 6 March 1987 see page 8, line 31 - page 9, line 24; figures 7,10 -----	1-5,18-20

**ANNEX TO THE INTERNATIONAL SEARCH REPORT
ON INTERNATIONAL PATENT APPLICATION NO.**

CA 9000268
SA 39328

This annex lists the patent family members relating to the patent documents cited in the above-mentioned international search report. The members are as contained in the European Patent Office EDP file on 20/11/90. The European Patent Office is in no way liable for these particulars which are merely given for the purpose of information.

Patent document cited in search report	Publication date	Patent family member(s)	Publication date
US-A- 1981239		None	
CH-A- 577612	15-07-76	AT-B- 331487	25-08-76
US-A- 4329820	18-05-82	CA-A- 1134587	02-11-82
US-A- 3039569		None	
FR-A- 2261382	12-09-75	None	
US-A- 4151691	01-05-79	CA-A- 1110820	20-10-81
CH-A- 538580	15-08-73	None	
FR-A- 2586732	06-03-87	None	

EPO FORM P0479

For more details about this annex : see Official Journal of the European Patent Office, No. 12/82